

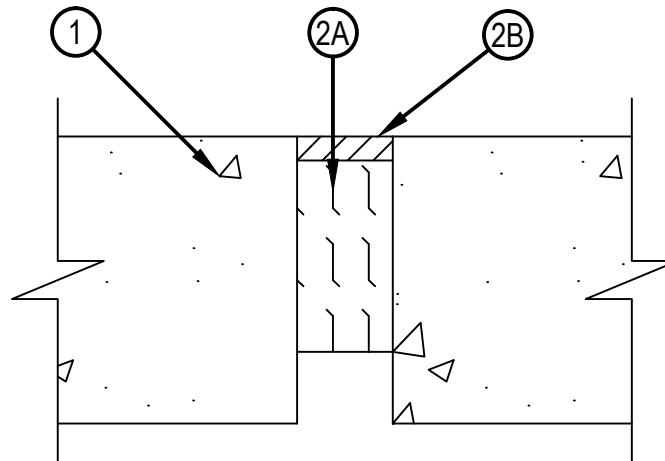


Classified by
Underwriters Laboratories, Inc.
to UL 2079 and CAN/ULC-S115

System No. FF-D-0096

FFD 0096

ANSI/UL2079	CAN/ULC S115
Assembly Rating — 3 Hr	F Rating — 3 Hr
Nominal Joint Width - 2 In.	FT Rating — 3 Hr
Class I and II Movement Capabilities — 18% Compression or Extension	FH Rating — 3 Hr
	FTH Rating — 3 Hr
	Nominal Joint Width - 2 In.
	Class I and II Movement Capabilities — 18% Compression or Extension



1. Floor Assembly — Min 6 in. (152 mm) thick reinforced lightweight or normal weight (100-150 pcf (1600-2400 kg/m³) structural concrete.
2. Joint System — Max width of joint is 2 in. (51 mm) The joint system shall consist of the following:
 - A. Packing Material — Min 4 in. (102 mm) thickness of min 4 pcf (64 kg/m³) mineral wool batt insulation installed in joint opening as a permanent form. Pieces of batt cut to min width of 4 in. and installed edge- first into joint opening, parallel with joint direction, such that batt sections are compressed min 50 percent in thickness and recessed from top surface of floor as required to accommodate the required thickness of fill material.
 ROCK WOOL MANUFACTURING CO — Delta Board
 IIG MINWOOL L L C — MinWool-1200 Safing
 THERMAFIBER INC — SAF Mineral Wool
 - B. Fill, Void or Cavity Material* — Min 1/2 in. (12 mm) thickness of fill material applied within the joint, flush with top surface of floor.
 HILTI CONSTRUCTION CHEMICALS, DIV OF HILTI INC — CFS-S SIL GG and CFS-S SIL SL

*Bearing the UL Classification Mark



Hilti Firestop Systems

Reproduced by HILTI, Inc. Courtesy of
Underwriters Laboratories, Inc.
December 19, 2013