

UL/cUL SYSTEM NO. FW-D-1092

FIRE-RATED JOINT THROUGH CONCRETE FLOOR ASSEMBLY

ASSEMBLY RATING = 4-HR.

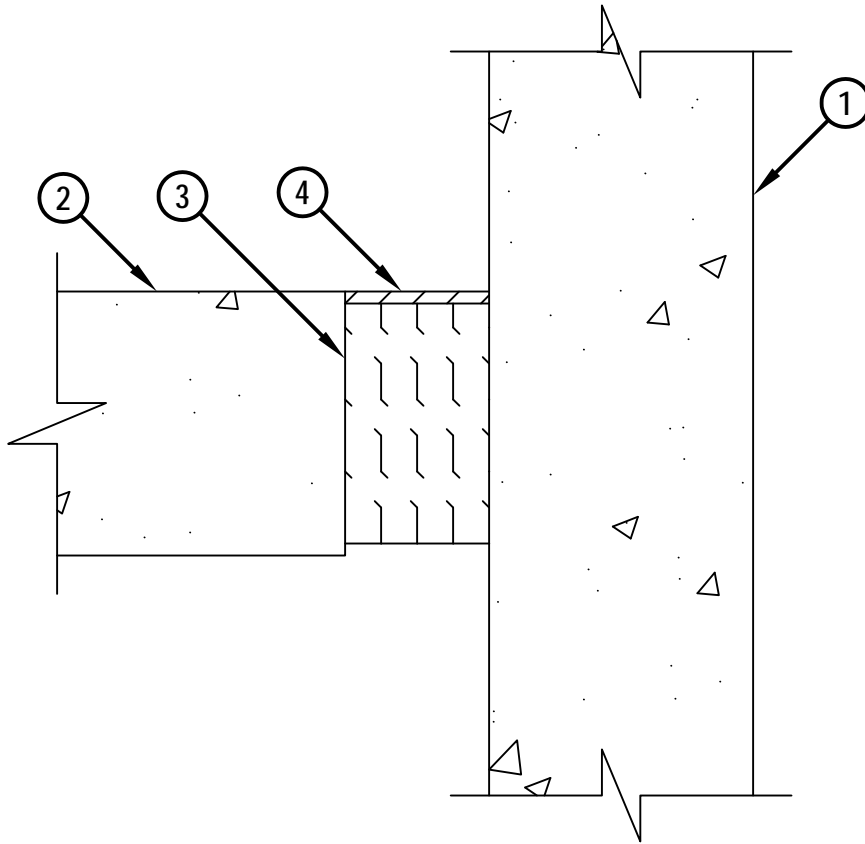
L-RATING AT AMBIENT = LESS THAN 1 CFM / LIN FT

L-RATING AT 400°F = LESS THAN 1 CFM / LIN FT

CLASS II MOVEMENT CAPABILITIES - 12.5% COMPRESSION OR EXTENSION

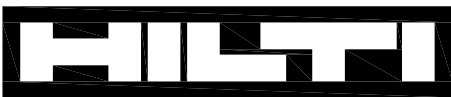
FWD1092a.092313

CROSS-SECTIONAL VIEW



1. CONCRETE WALL ASSEMBLY (4-HR. FIRE-RATING) :
 - A. LIGHTWEIGHT OR NORMAL WEIGHT CONCRETE WALL (MINIMUM 5-1/2" THICK).
 - B. ANY UL/cUL CLASSIFIED CONCRETE BLOCK WALL.
2. LIGHTWEIGHT OR NORMAL WEIGHT CONCRETE FLOOR (MINIMUM 5-1/2" THICK) (2-HR. FIRE-RATING).
3. MINIMUM 5" THICKNESS MINERAL WOOL SAFING (MIN. 4 PCF DENSITY) COMPRESSED 50% AND RECESSED TO ACCOMMODATE FIRESTOP SEALANT.
4. MINIMUM 1/4" DEPTH HILTI CFS-S SIL GG OR CFS-S SIL SL FIRESTOP SILICONE SEALANT FLUSH WITH THE TOP SURFACE OF FLOOR.

NOTE : MAXIMUM WIDTH OF JOINT = 3".



Hilti Firestop Systems

HILTI, Inc.
Tulsa, Oklahoma USA (800) 879-8000

Sheet	1 of 1
Scale	1/4" = 1"
Date	Sep. 23, 2013

Drawing No.

**FWD
1092a**

Saving Lives through Innovation and Education