

UL/cUL SYSTEM NO. HW-D-0704

## TOP OF WALL JOINT : CONCRETE WALL OR BLOCK WALL ASSEMBLY

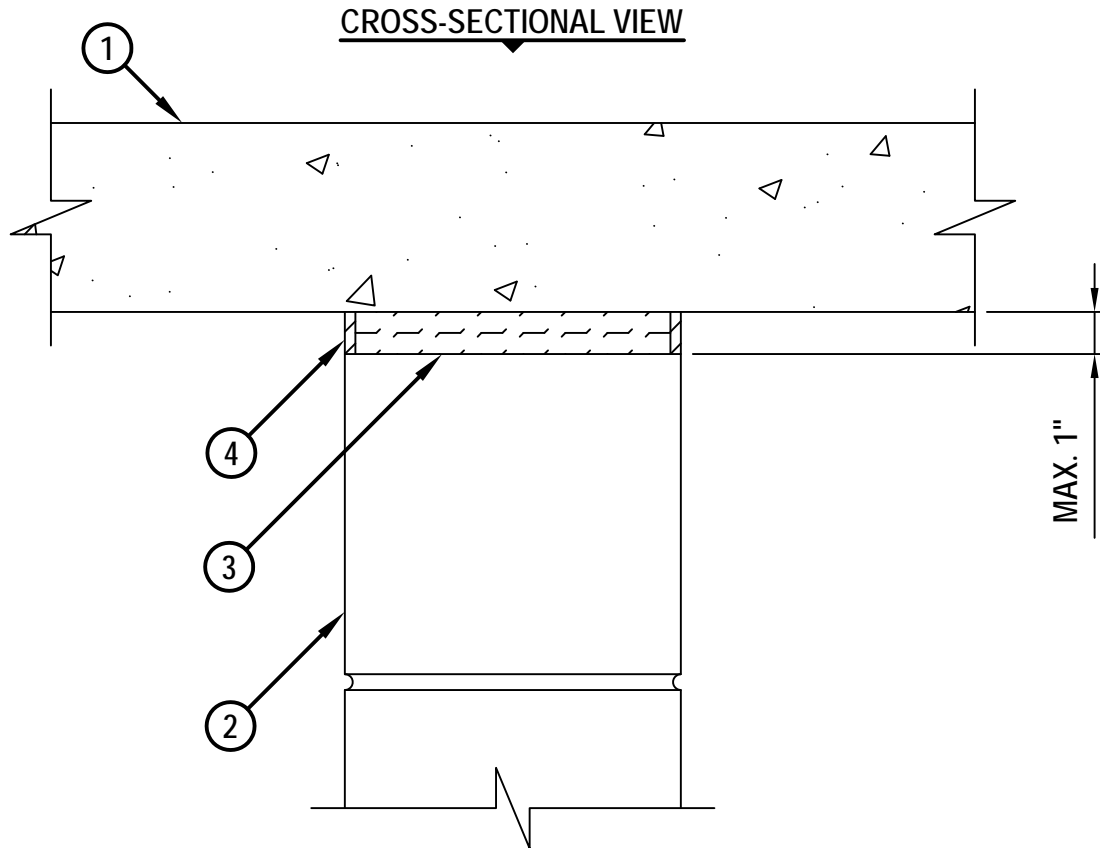
ASSEMBLY RATING = 2-HR.

L-RATING AT AMBIENT = LESS THAN 1 CFM / LIN FT

L-RATING AT 400°F = LESS THAN 1 CFM / LIN FT

CLASS II AND CLASS III MOVEMENT CAPABILITIES - 25% COMPRESSION OR EXTENSION

HWDD0704a.010814



1. CONCRETE FLOOR ASSEMBLY (2-HR. FIRE-RATING) :
  - A. LIGHTWEIGHT OR NORMAL WEIGHT CONCRETE FLOOR (MINIMUM 4-1/2" THICK).
  - B. ANY UL/cUL CLASSIFIED PRE-CAST HOLLOW CORE CONCRETE FLOOR (MINIMUM 6" THICK).
2. CONCRETE WALL ASSEMBLY (2-HR. FIRE-RATING) :
  - A. LIGHTWEIGHT OR NORMAL WEIGHT CONCRETE WALL (MINIMUM 4-1/2" THICK).
  - B. ANY UL/cUL CLASSIFIED CONCRETE BLOCK WALL.
3. MINIMUM 4" THICKNESS MINERAL WOOL SAFING (MIN. 4 PCF DENSITY) COMPRESSED 50% AND RECESSED TO ACCOMMODATE FIRESTOP SEALANT.
4. MINIMUM 1/4" DEPTH HILTI CFS-S SIL GG FIRESTOP SILICONE SEALANT FLUSH WITH BOTH SURFACES OF WALL.

NOTE : MAXIMUM WIDTH OF JOINT = 1".



HILTI, Inc.  
Tulsa, Oklahoma USA (800) 879-8000

Sheet	1 of 1
Scale	7/32" = 1"
Date	Jan. 08, 2014

Drawing No.  
**HWD  
0704a**

***Saving Lives through Innovation and Education***