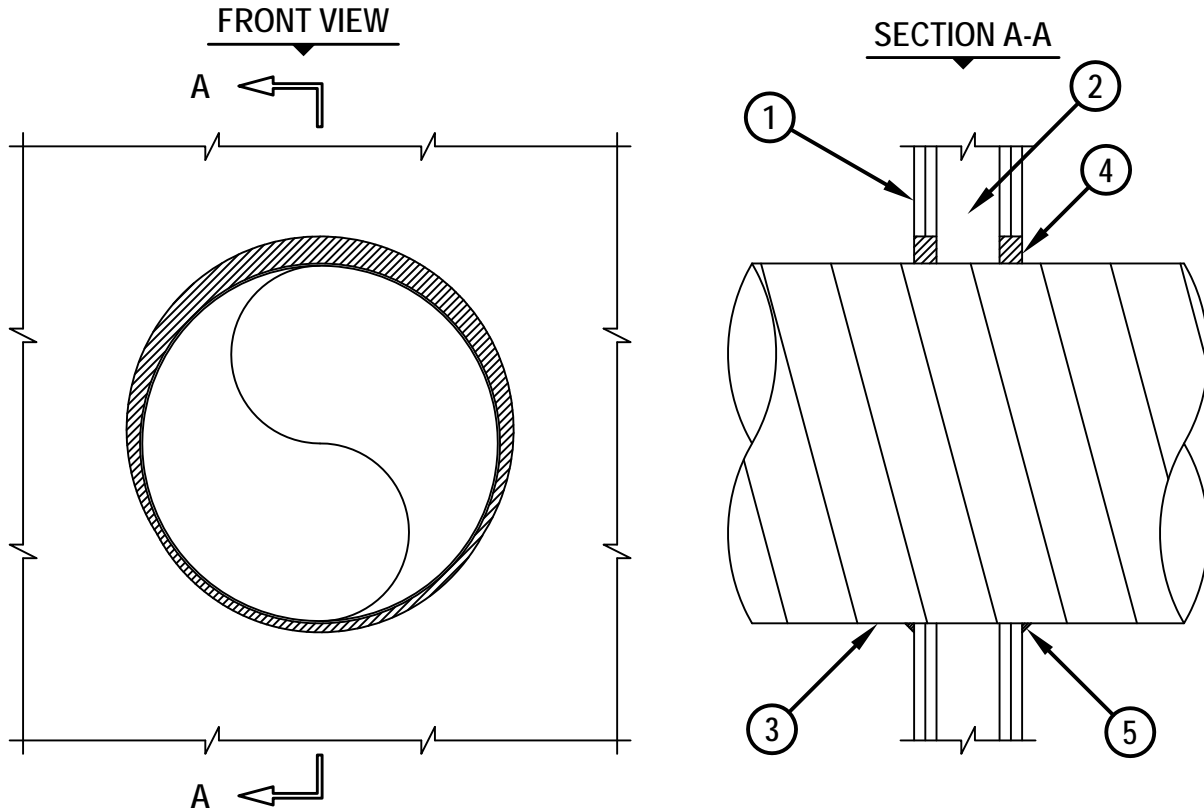


**METAL DUCT (WITHOUT DAMPER) THROUGH GYPSUM WALL ASSEMBLY**

F-RATING = 1-HR. OR 2-HR.

T-RATING = 0-HR.

WL7214a.011614



1. GYPSUM WALL ASSEMBLY (UL/cUL CLASSIFIED U400 SERIES) (1-HR. OR 2-HR. FIRE-RATING) (2-HR. SHOWN).
2. [NOT SHOWN] STEEL STUDS TO BE MINIMUM 3-1/2" WIDE.
3. PENETRATING ITEM TO BE ONE OF THE FOLLOWING :
  - A. MAXIMUM 20" NOMINAL DIAMETER SPIRAL WOUND SHEET METAL DUCT (MIN. 24 GA.).
  - B. MAXIMUM 12" NOMINAL DIAMETER SHEET METAL DUCT (MIN. 28 GAUGE).
4. HILTI CFS-S SIL GG FIRESTOP SILICONE SEALANT :
  - A. MINIMUM 5/8" DEPTH, FOR A 1-HR. FIRE RATING.
  - B. MINIMUM 1-1/4" DEPTH, FOR A 2-HR. FIRE RATING.
5. MINIMUM 1/2" BEAD HILTI CFS-S SIL GG FIRESTOP SILICONE SEALANT APPLIED AT POINT OF CONTACT.

NOTES : 1. MAXIMUM DIAMETER OF OPENING FOR STEEL STUD WALLS = 21-3/4".  
 2. MAXIMUM DIAMETER OF OPENING FOR WOOD STUD WALLS = 14-1/2".  
 3. ANNULAR SPACE = MINIMUM 0", MAXIMUM 1-1/2"



HILTI, Inc.  
 Tulsa, Oklahoma USA (800) 879-8000

Sheet	1 of 1
Scale	3/32" = 1"
Date	Jan. 16, 2014

Drawing No.  
**WL  
 7214a**