

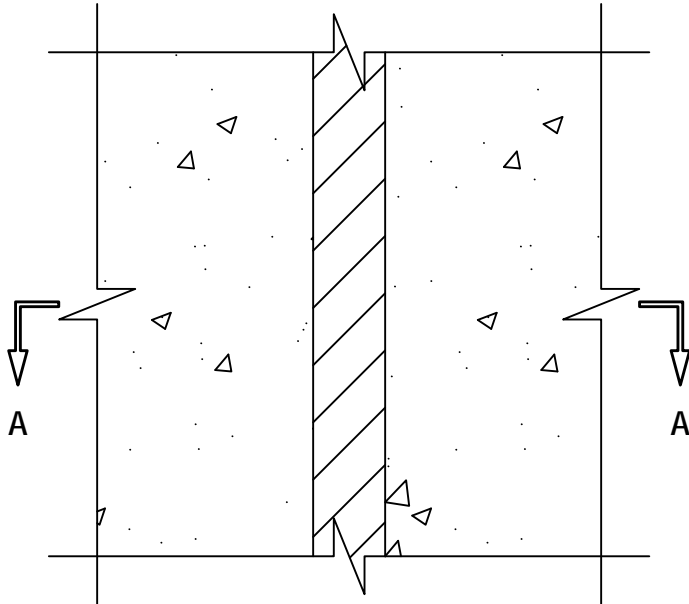
UL/cUL SYSTEM NO. WW-D-0140

FIRE-RATED JOINT THROUGH CONCRETE WALL ASSEMBLY

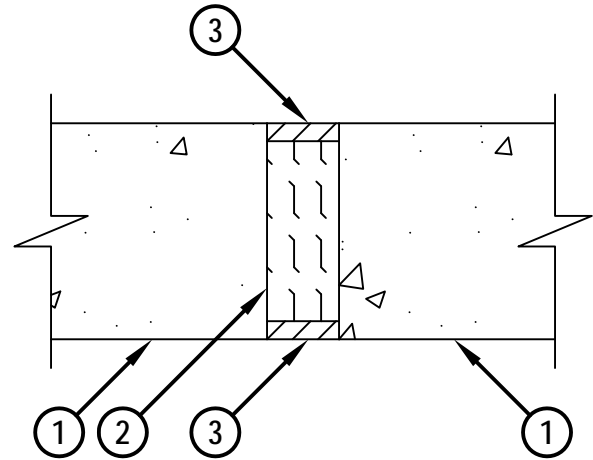
ASSEMBLY RATING = 3-HR.

CLASS I AND II MOVEMENT CAPABILITIES - 18% COMPRESSION OR EXTENSION

FRONT VIEW



SECTION A-A



WWD0140a.011714

1. CONCRETE WALL ASSEMBLY (3-HR. FIRE-RATING) :
 - A. LIGHTWEIGHT OR NORMAL WEIGHT CONCRETE WALL (MINIMUM 6" THICK).
 - B. ANY UL/cUL CLASSIFIED CONCRETE BLOCK WALL.
2. MINIMUM 4" THICKNESS MINERAL WOOL SAFING (MIN. 4 PCF DENSITY) COMPRESSED 50% AND RECESSED FROM BOTH SURFACE OF WALL TO ACCOMMODATE FIRESTOP SEALANT.
3. MINIMUM 1/2" DEPTH HILTI CFS-S SIL GG FIRESTOP SILICONE SEALANT FLUSH WITH BOTH SURFACES OF WALL.

NOTE : MAXIMUM WIDTH OF JOINT = 2".



HILTI, Inc.
Tulsa, Oklahoma USA (800) 879-8000

Sheet	1 of 1
Scale	3/16" = 1"
Date	Jan. 17, 2014

Drawing No.
**WWD
0140a**

Saving Lives through Innovation and Education