

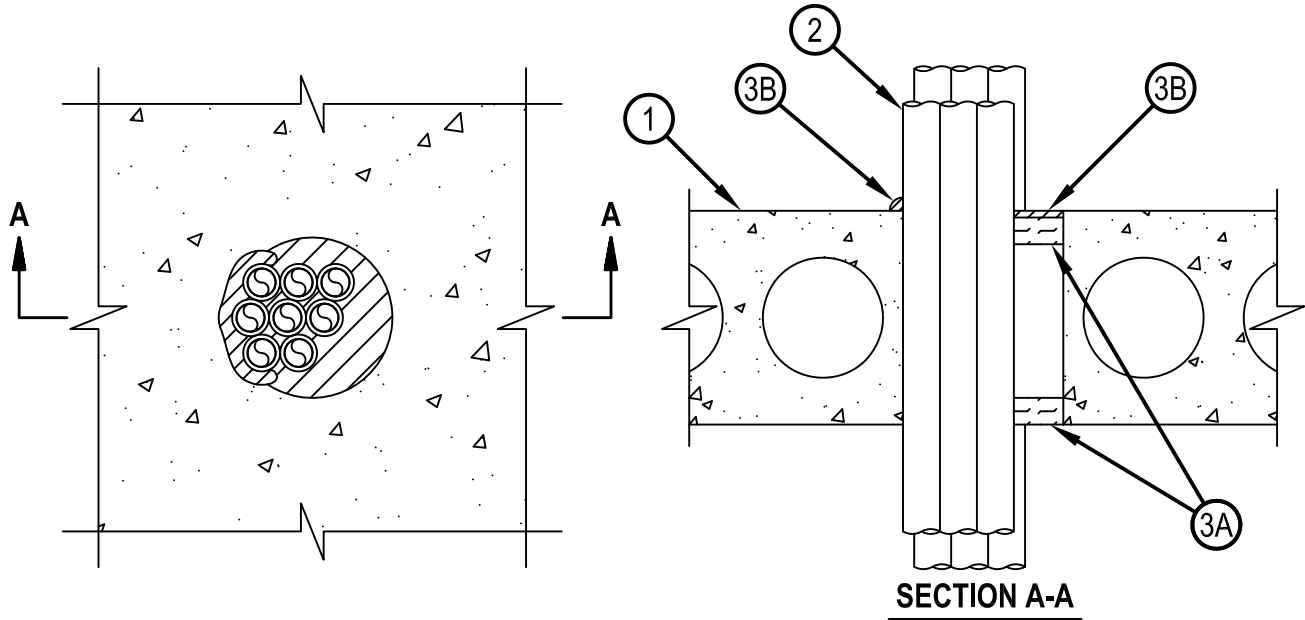


Classified by  
Underwriters Laboratories, Inc.  
to UL 1479 and CAN/ULC-S115

## System No. C-BJ-1059

CBJ 1059

ANSI/UL1479 (ASTM E814)	CAN/ULC S115
F Rating — 3 Hr	F Rating — 3 Hr
T Rating — 3 Hr	FT Rating — 3 Hr
	FH Rating — 3 Hr
	FTH Rating — 3 Hr



**SECTION A-A**

1. Floor or Wall Assembly — Min 8 in. (203 mm) thick reinforced lightweight or normal weight (100-150 pcf) (1600-2400 kg/m<sup>3</sup>) concrete. Floor assembly may also be constructed of any 8 in. (203 mm) thick UL Classified hollow-core Precast Concrete Units\*. Wall may also be constructed of any UL Classified Concrete Blocks\*. Max diameter of opening is 6 in. (152 mm).

See Concrete Blocks (CAZT) and Precast Concrete Units (CFTV) category in the Fire Resistance Directory for names of manufacturers.

2. Through-Penetrant — Max eight flexible metal pipes or conduits installed concentrically or eccentrically within opening. The annular space between penetrant(s) and periphery of opening shall be min of 0 in. (point contact) to max 1-1/2 in. (38 mm). Penetrant(s) to be rigidly supported on both sides of floor or wall assembly. The following types and sizes of penetrants may be used:

A. Flexible Steel Conduit+ — Nom 1 in. (25 mm) diam (or smaller) flexible steel conduit.

See Flexible Metal Conduit (DXUZ) category in the Electrical Construction Material Directory for names of manufacturers.

B. Through Penetrating Product\* — Flexible Metal Piping — The following types of steel flexible metal gas piping may be used:

1. Nom 1 in. (25 mm) diam (or smaller) steel flexible metal gas piping. Plastic covering on piping may or may not be removed on both sides of floor or wall assembly.

OMEGA FLEX INC

2. Nom 1 in. (25 mm) diam (or smaller) steel flexible metal gas piping. Plastic covering on piping may or may not be removed on both sides of floor or wall assembly.

GASTITE, DIV OF TITFLEX

3. Nom 1 in. (25 mm) diam (or smaller) steel flexible metal gas piping. Plastic covering on piping may or may not be removed on both sides of floor or wall assembly.

WARD MFG L L C



**Hilti Firestop Systems**

Reproduced by HILTI, Inc. Courtesy of  
Underwriters Laboratories, Inc.

January 14, 2015

## System No. C-BJ-1059

CBJ 1059

### 3. Firestop System — The firestop system shall consist of the following:

- A. Packing Material — Min 1 in. (25 mm) thickness of min 4 pcf (64 kg/m<sup>3</sup>) mineral wool batt insulation firmly packed into the opening as a permanent form. Packing material to be flush with bottom surface of floor and recessed from top surface of floor and both sides of the wall as required to accommodate the required thickness of fill material.
- B. Fill, Void or Cavity Materials\*—Sealant — Min 1/4 in. (6 mm) thickness of sealant applied within annular space, flush with top surface of floor or both surfaces of wall. At point contact location between penetrant and periphery of opening a min 1/4 in. (6 mm) diam bead of fill material shall be applied at the concrete/penetrant interface on top surface of floor assembly or both surfaces of wall assembly and also into the interstices of penetrants.  
HILTI CONSTRUCTION CHEMICALS, DIV OF HILTI INC — FS-ONE Sealant or FS-ONE MAX Intumescent Sealant

\* Indicates such products shall bear the UL or cUL Certification Mark for jurisdictions employing the UL or cUL Certification (such as Canada), respectively.

+Bearing the UL Listing Mark



**Hilti Firestop Systems**

Reproduced by HILTI, Inc. Courtesy of  
Underwriters Laboratories, Inc.  
January 14, 2015