

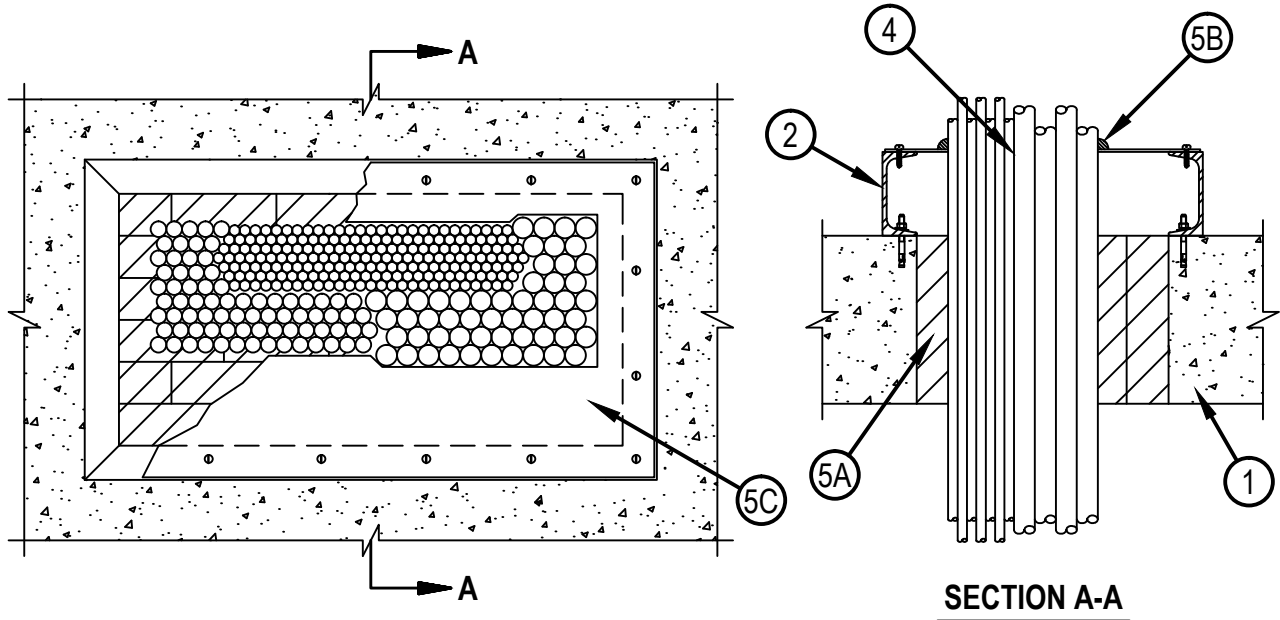


Classified by
Underwriters Laboratories, Inc.
to UL 1479 and CAN/ULC-S115

System No. C-BJ-4026

CBJ 4026

ANSI/UL1479 (ASTM E814)	CAN/ULC S115
F Rating — 2 Hr	F Rating — 2 Hr
T Ratings - 0 and 1-1/2 Hr (See Item 5C)	FT Ratings - 0 and 1-1/2 Hr (See Item 5C)
	FH Rating — 2 Hr
	FTH Ratings - 0 and 1-1/2 Hr (See Item 5C)



SECTION A-A

1. Floor or Wall Assembly — Min 8 in. (203 mm) thick reinforced lightweight or normal weight (100-150 pcf or 1600-2400 kg/m³) concrete. Max area of opening is 288 sq in. (1858 cm²) with max dimension of 24 in. (610 mm).
2. Sheathing — Nom 1-1/2 in. (38 mm) by 4 in. (102 mm) by 3/16 in. (4.8 mm) thick steel channel channel-shaped members secured to the concrete (Item 1) by means of 1/4 in. (6 mm) diam by 1-1/4 in. (32 mm) long concrete screw fasteners spaced 6 in. (152 mm) to 8 in. (203 mm) OC. The sheathing shall completely enclose the perimeter of the opening on the top surface of the floor assembly or on one surface of wall assembly for asymmetrical systems and on both surfaces of wall assembly for symmetrical systems.
3. Cable Rack — Max 20 in. (508 mm) wide cable rack, fabricated from min 1/4 in. (6 mm) thick by 1-1/2 in. (38 mm) wide steel bar side rails and 3/16 in. (4.8 mm) thick by 1 in. (25 mm) wide C-shaped steel rungs spaced 9 in. (229 mm) OC. Cable rack shall be welded or bolted to top surface of sheathing (Item 2).
4. Cables — Aggregate cross-sectional area of cables in opening to be max 34 percent of the cross-sectional area of the opening. The annular space between cables and the periphery of the opening to be min 1 in. (25 mm). Cables to be rigidly supported on both sides of floor or wall assembly. Any combination of the following types and sizes of cables may be used:
 - A. Max 300 pair No. 24 AWG telephone cable with polyvinyl chloride (PVC) insulation and jacket.
 - B. Max 750 kcmil power cable with cross-linked polyethylene (XLPE) insulation and polyvinyl chloride (PVC) jacket.
 - C. Multiple fiber optic communication cable with polyvinyl chloride (PVC) jacket, having a max OD of 1/2 in. (13 mm).



Hilti Firestop Systems

Reproduced by HILTI, Inc. Courtesy of
Underwriters Laboratories, Inc.
January 16, 2015

5. Firestop System — The firestop system may be installed as an asymmetrical system in a floor and symmetrical or asymmetrical system in a wall assembly. The firestop system shall consist of the following items:

A. Fill, Void or Cavity Materials*—Fire Blocks — Fire blocks installed with long dimension projecting through the opening flush with the top surface of concrete floor or either wall surface. Blocks to be firmly packed and completely fill the entire length and width of the opening. Either one or a combination of the block types specified below may be used.

HILTI CONSTRUCTION CHEMICALS, DIV OF HILTI INC — FS 657 Fire Block or CFS-BL Firestop Block

B. Fill, Void or Cavity Materials*—Putty — When cover plate is used, formed into pads 1/4 in. (6 mm) thick, installed around periphery of cable bundle, extending min 2 in. (51 mm) onto penetrant and overlapping cover plate by min 1/2 in. (13 mm).

HILTI CONSTRUCTION CHEMICALS, DIV OF HILTI INC — CP 618 Firestop Putty Stick

B1. Fill, Void or Cavity Materials*—Sealant — When cover plate is used, min 1/2 in. (13 mm) thickness of fill material to be applied at cables/cover plate interface. Additional 3/8 in. (9.53 mm) bead of fill material applied at fill cover plate interface, overlapping cover plate.

HILTI CONSTRUCTION CHEMICALS, DIV OF HILTI INC — FS-ONE Sealant or FS-ONE MAX Intumescent Sealant.

C. Steel Cover Plate (Optional) — Min 0.020 in. (0.51 mm) thick (No. 22 MSG) steel plate shall be cut to fit contour of the cable bundle. Steel cover plate secured to the sheathing with 1/4-20 bolts or screws spaced max 12 in. (305 mm) OC. As an alternate fastener, Southco® Medium Bail Style Quarter-turn steel stud/receptacle fasteners may be used. Annular space between the cables and the cover plate shall be min 0 in. (point contact) to max 1 in. (25 mm). Annular space between cables and sheathing shall be min 0 in. (point contact) to max 1 in. (25 mm). In order to achieve a T, FT And FTH Rating of 1-1/2 Hr, the annular spaces shall be treated as described in Items 5B and 5B1. When the cover plate is not used or annular spaces are not treated, the T, FT and FTH Ratings are 0 Hr.

* Indicates such products shall bear the UL or cUL Certification Mark for jurisdictions employing the UL or cUL Certification (such as Canada), respectively.

