

# PLASTIC PIPE THROUGH CONCRETE FLOOR/WALL OR HOLLOW-CORE CONCRETE FLOOR ASSEMBLY

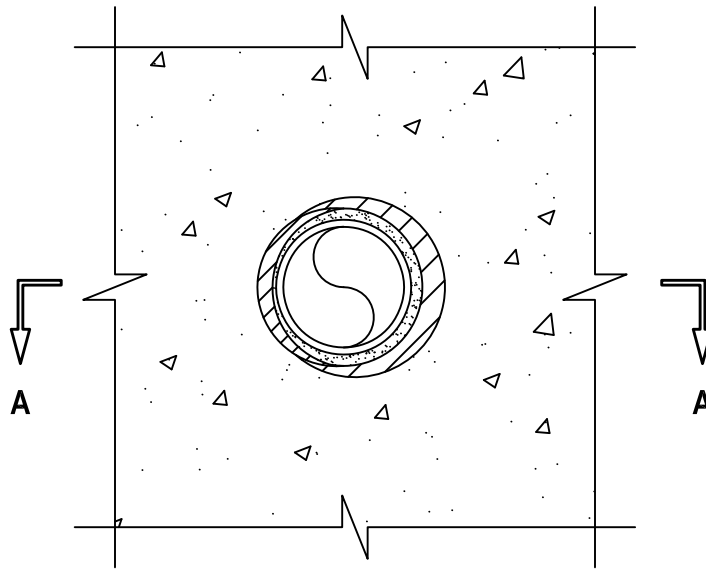
F-RATING = 2-HR.

FT, FH, AND FTH-RATINGS = 0-HR.

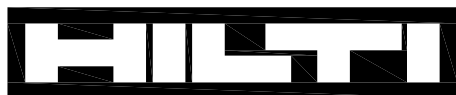
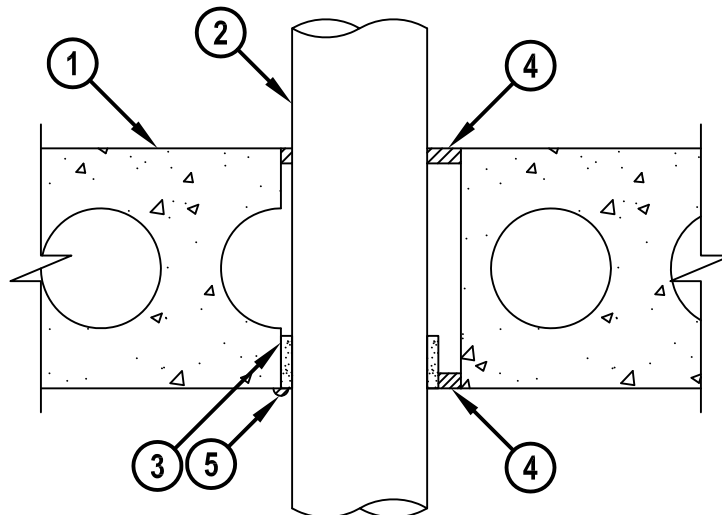
NOTE : TESTED WITH A 50 Pa PRESSURE DIFFERENTIAL

cUL FB2008c.011715

**BOTTOM VIEW**



**SECTION A-A**



**Hilti Firestop Systems**

HILTI, Inc.  
Tulsa, Oklahoma USA (800) 879-8000

Sheet	1 of 2
Scale	5/32" = 1"
Date	Jan. 17, 2015

Drawing No.

**cUL  
FB2008c**

*Saving Lives through Innovation and Education*

**PLASTIC PIPE THROUGH CONCRETE FLOOR/WALL OR HOLLOW-CORE  
CONCRETE FLOOR ASSEMBLY**

F-RATING = 2-HR.

FT, FH, AND FTH-RATINGS = 0-HR.

NOTE : TESTED WITH A 50 Pa PRESSURE DIFFERENTIAL

cUL FB2008c.011715

1. CONCRETE FLOOR ASSEMBLY (2-HR. FIRE-RATING) :
  - A. LIGHTWEIGHT OR NORMAL WEIGHT CONCRETE FLOOR OR WALL (MINIMUM 8" THICK).
  - B. ANY UL CLASSIFIED PRECAST (HOLLOW-CORE) CONCRETE FLOOR (MINIMUM 8" THICK).
2. PENETRATING ITEM TO BE ONE OF THE FOLLOWING :
  - A. MAXIMUM 4" NOMINAL DIAMETER PVC PLASTIC PIPE (CELLULAR OR SOLID CORE).
  - B. MAXIMUM 4" NOMINAL DIAMETER ABS PLASTIC PIPE (CELLULAR OR SOLID CORE).
  - C. MAXIMUM 4" NOMINAL DIAMETER CPVC PLASTIC PIPE (CLOSED PIPING SYSTEM ONLY).
  - D. MAXIMUM 4" NOMINAL DIAMETER RIGID NON-METALLIC CONDUIT (RNC).
3. HILTI CP 648S WRAP STRIP WRAPPED CONTINUOUSLY AROUND THE OUTER CIRCUMFERENCE OF PIPE, AND HELD IN PLACE WITH INTEGRATED FASTENING TAPE. WRAP STRIP INSTALLED FLUSH WITH BOTTOM OF FLOOR (SEE TABLE BELOW).
4. HILTI FS-ONE MAX OR FS-ONE INTUMESCENT FIRESTOP SEALANT, HILTI CP 601S ELASTOMERIC FIRESTOP SEALANT, OR HILTI CFS-S SIL GG FIRESTOP SILICONE SEALANT INSTALLED FLUSH WITH TOP AND BOTTOM SURFACES OF FLOOR (SEE NOTE NO. 2 BELOW) :
  - A. MINIMUM 1/4" DEPTH FOR NOMINAL 3" PIPES OR SMALLER.
  - B. MINIMUM 1/2" DEPTH FOR 4" PIPES.
5. MINIMUM 1/4" BEAD HILTI FS-ONE MAX OR FS-ONE INTUMESCENT FIRESTOP SEALANT, HILTI CP 601S ELASTOMERIC FIRESTOP SEALANT, OR HILTI CFS-S SIL GG FIRESTOP SILICONE SEALANT APPLIED AT WRAP STRIP/CONCRETE INTERFACE AT BOTTOM OF FLOOR.

NOMINAL PIPE DIAMETER	PRODUCT DESCRIPTION	MAXIMUM DIAMETER OF OPENING	ANNULAR SPACE	
			MINIMUM	MAXIMUM
1-1/2"	CP 648S-1.5" US	2-1/2"	3/16"	7/16"
2"	CP 648S-2" US	3"	3/16"	7/16"
3"	CP 648S-3" US	4"	3/16"	5/16"
4"	CP 648S-4" US	6"	1/2"	1"

**NOTES :** 1. CLOSED OR VENTED PIPING SYSTEM (PVC, ABS, RNC = SCHEDULE 40; CPVC = SDR 13.5).  
 2. AS AN ALTERNATE TO HILTI FS-ONE MAX OR FS-ONE INTUMESCENT FIRESTOP SEALANT OR HILTI CP 601S ELASTOMERIC FIRESTOP SEALANT INSTALLED ON THE TOP SURFACE OF THE FLOOR, HILTI CP 604 SELF LEVELING FIRESTOP SEALANT OR HILTI CFS-S SIL SL FIRESTOP SILICONE SEALANT MAY BE USED.  
 3. [NOT SHOWN] MINIMUM 1/2" THICKNESS MINERAL WOOL (MIN. 4 PCF DENSITY) TIGHTLY PACKED RECESSED FROM TOP SURFACE OF FLOOR WHEN HILTI CP 604 SELF LEVELING FIRESTOP SEALANT OR HILTI CFS-S SIL SL FIRESTOP SILICONE SEALANT IS USED.



HILTI, Inc.  
Tulsa, Oklahoma USA (800) 879-8000

Sheet	2 of 2
Scale	-
Date	Jan. 17, 2015

Drawing No.  
**cUL  
FB2008c**