

PLASTIC PIPE THROUGH CONCRETE FLOOR/WALL OR BLOCK WALL

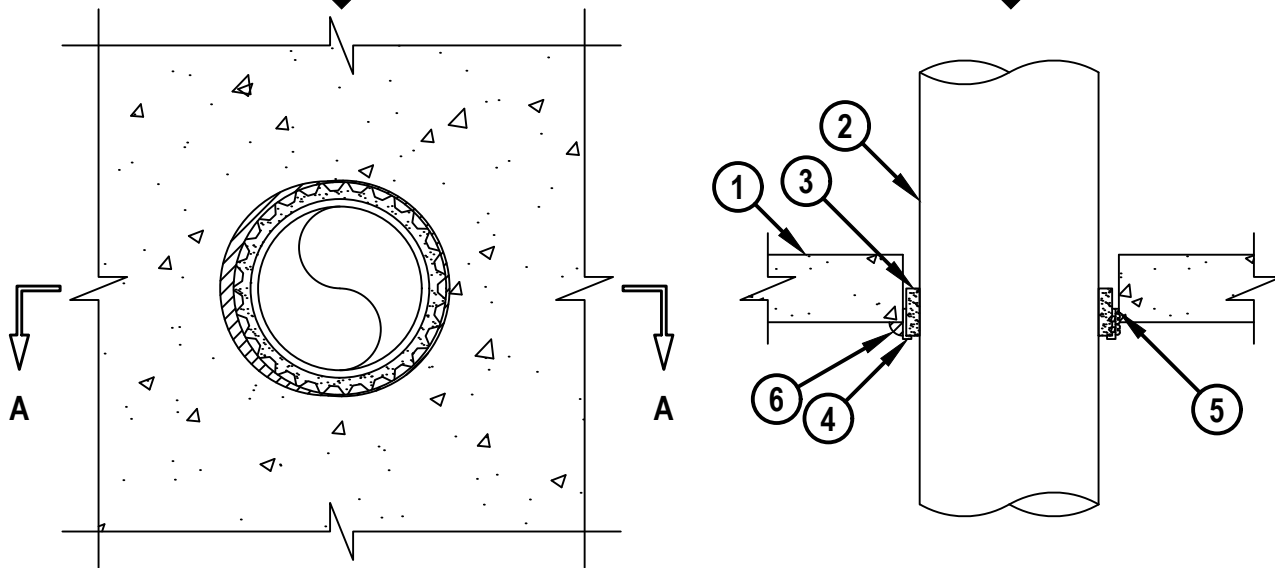
F-RATING = 1-HR.

FT, FH, AND FTH-RATINGS = 0-HR.

NOTE : TESTED WITH A 50 Pa PRESSURE DIFFERENTIAL

BOTTOM VIEW

SECTION A-A



cUL CAJ2080c.052421

1. CONCRETE FLOOR OR WALL ASSEMBLY (1-HR. FIRE-RATING) :
 - A. LIGHTWEIGHT OR NORMAL WEIGHT CONCRETE FLOOR OR WALL (MINIMUM 2-1/2" THICK).
 - B. ANY UL/cUL CLASSIFIED CONCRETE BLOCK WALL.
2. PENETRATING ITEM TO BE ONE OF THE FOLLOWING :
 - A. MAXIMUM 6" NOMINAL DIAMETER PVC PLASTIC PIPE (CELLULAR OR SOLID CORE) (SCH 40) (CLOSED OR VENTED PIPING SYSTEM).
 - B. MAXIMUM 6" NOMINAL DIAMETER CPVC PLASTIC PIPE (CLOSED OR VENTED PIPING SYSTEM).
3. HILTI CP 648S/6" WRAP STRIP WRAPPED CONTINUOUSLY AROUND CIRCUMFERENCE OF PIPE, AND HELD IN PLACE WITH INTEGRATED FASTENING TAPE. WRAP STRIP (WITH RETAINING COLLAR) TO EXTEND 1/2" FROM BOTTOM SURFACE OF FLOOR OR BOTH SURFACES OF WALL.
4. HILTI 1-3/4" RETAINING COLLAR WRAPPED OVER THE WRAP STRIP, OVERLAPPING MINIMUM 1/2" AND SECURED WITH TWO NO. 8 SHEET METAL SCREWS.
5. MINIMUM 1/4" DEPTH HILTI FS-ONE MAX INTUMESCENT FIRESTOP SEALANT FLUSH WITH BOTTOM SURFACE OF FLOOR.
6. MINIMUM 1/2" BEAD HILTI FS-ONE MAX INTUMESCENT FIRESTOP SEALANT APPLIED AT RETAINING COLLAR/CONCRETE FLOOR INTERFACE.

NOTES : 1. MAXIMUM DIAMETER OF OPENING = 8".
 2. ANNULAR SPACE = MINIMUM 1/2", MAXIMUM 7/8".
 3. HILTI CP 648S FIRESTOP WRAP STRIP WITH RETAINING COLLAR AND FS-ONE MAX INTUMESCENT FIRESTOP SEALANT ARE REQUIRED ON BOTH SIDES OF A WALL ASSEMBLY.



HILTI, Inc.
 Plano, Texas USA (800) 879-8000

Sheet	1 of 1
Scale	9/64" = 1"
Date	May 24, 2021

Drawing No.
cUL
CAJ2080c