

PLASTIC PIPE THROUGH CONCRETE WALL OR BLOCK WALL ASSEMBLY

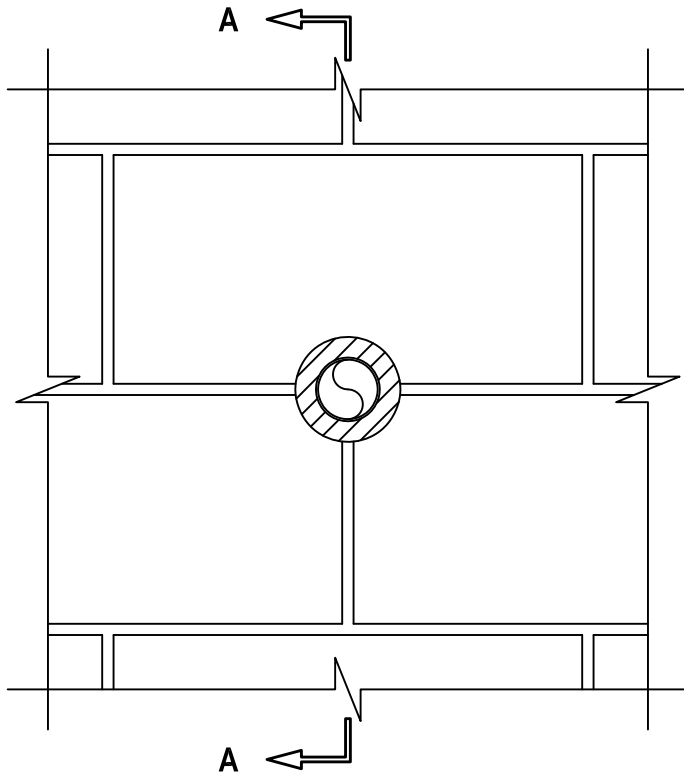
F-RATING = 1-HR. OR 2-HR.

FT, FH, AND FTH-RATINGS = 0-HR.

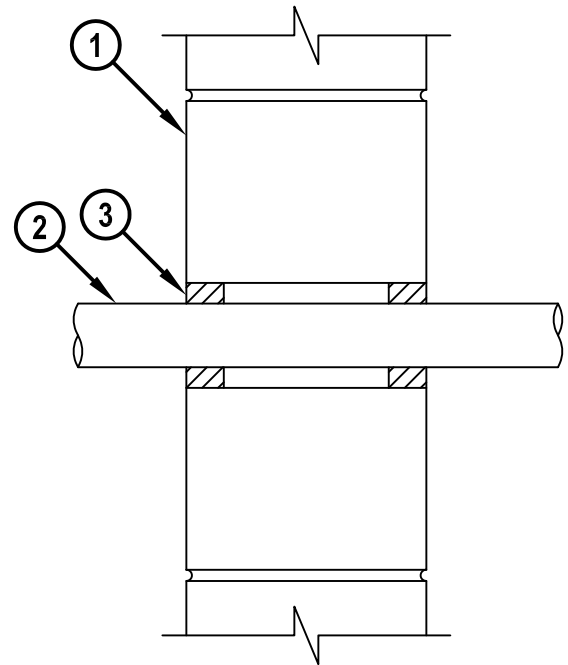
NOTE : TESTED WITH A 50 Pa PRESSURE DIFFERENTIAL

cUL WJ2031c.011715

FRONT VIEW



SECTION A-A



1. CONCRETE WALL ASSEMBLY (1-HR. OR 2-HR. FIRE-RATING) :
 - A. LIGHTWEIGHT OR NORMAL WEIGHT CONCRETE WALL (MINIMUM 6" THICK).
 - B. ANY UL/cUL CLASSIFIED CONCRETE BLOCK WALL.
2. MAXIMUM 2" NOMINAL DIAMETER SDR 9 CROSS-LINKED POLYETHYLENE (PEX) TUBING.
3. HILTI FS-ONE MAX OR FS-ONE INTUMESCENT FIRESTOP SEALANT :
 - A. MINIMUM 5/8" DEPTH REQUIRED FOR 1-HR. FIRE-RATING.
 - B. MINIMUM 1-1/4" DEPTH REQUIRED FOR 2-HR. FIRE-RATING.

NOTES : 1. MAXIMUM DIAMETER OF OPENING = 3-1/2".
 2. ANNULAR SPACE = MINIMUM 1/4", MAXIMUM 7/8".



HILTI, Inc.
 Tulsa, Oklahoma USA (800) 879-8000

Sheet	1 of 1
Scale	5/32" = 1"
Date	Jan. 17, 2015

Drawing No.
cUL
WJ2031c