

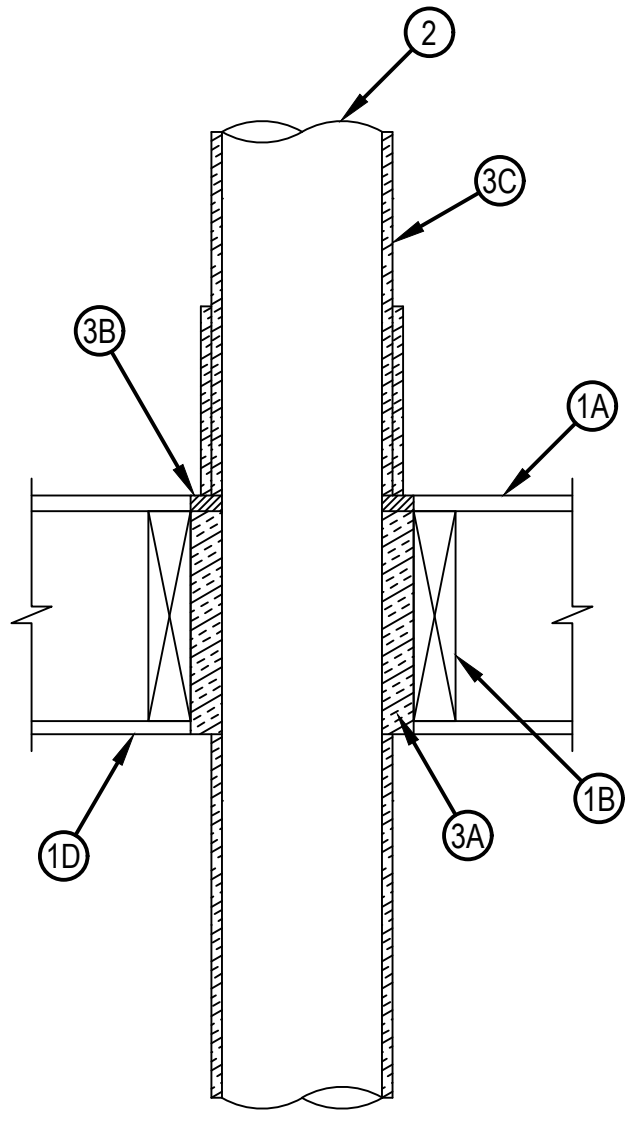
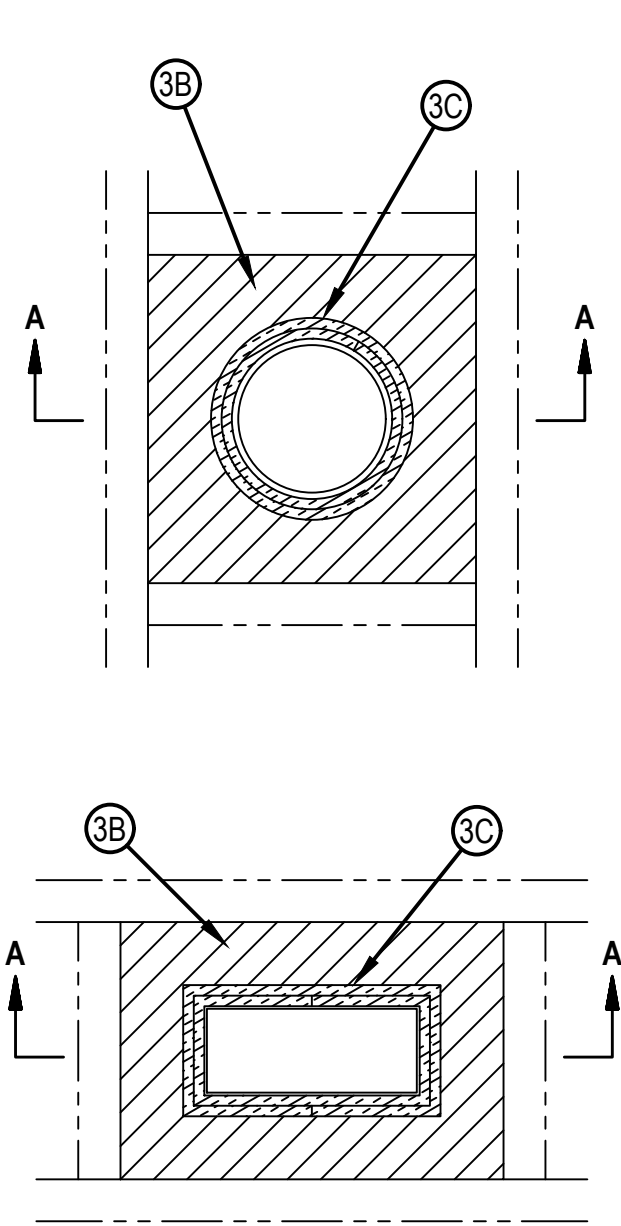


Classified by
Underwriters Laboratories, Inc.
to UL 1479 and CAN/ULC-S115

System No. F-C-7057

FC 7057

ANSI/UL1479 (ASTM E814)	CAN/ULC S115
F Rating — 1 Hr	F Rating — 1 Hr
T Rating — 1 Hr	FT Rating — 1 Hr
	FH Rating — 1 Hr
	FTH Rating — 1 Hr



SECTION A-A



Hilti Firestop Systems

Reproduced by HILTI, Inc. Courtesy of
Underwriters Laboratories, Inc.
March 27, 2017

System No. F-C-7057

FC 7057

1. Floor-Ceiling Assembly — The 1 hr fire-rated solid or trussed lumber joist floor-ceiling assembly shall be constructed of the materials and in the manner specified in the individual L500 Series Floor-Ceiling Designs in the UL Fire Resistance Directory. The general construction details of the floor-ceiling assembly are summarized below:
 - A. Flooring System — Lumber or plywood subfloor with finish floor of lumber, plywood or Floor Topping Mixture* as specified in the individual Floor-Ceiling Design. Max area of floor opening is 150 in.2 (0.098 m2) with a max 1.5 in. (38 mm) annular space between duct and framing members.
 - B. Wood Joists — Nom 10 in. (254 mm) deep (or deeper) lumber, steel or combination lumber and steel joists, trusses or Structural Wood Members* with bridging as required and with ends firestopped. Additional framing members installed to form a square enclosure around the perimeter of the opening in the floor and ceiling.
 - C. Furring Channels — (Where Required - Not Shown) - Resilient galv steel furring installed perpendicular to wood joists between gypsum board and wood joists as specified in the individual Floor-Ceiling Design. Furring channels spaced max 24 in. (610 mm) OC. If furring channels are used within the assembly, additional furring channels to be installed along the periphery of the opening.
 - D. Gypsum Board* — Nom 4 ft (1.2 m) wide by 5/8 in. (16 mm) thick as specified in the individual Floor-Ceiling Design. Gypsum board secured to wood joists or furring channels as specified in the individual Floor-Ceiling Design. Max area of ceiling opening is 150 in.2 (0.098 m2) with a max 1.5 in. (38 mm) annular space between duct and framing members.
2. Steel Air Duct — Max 7 in. (178 mm) diam by min 0.0157 in. (No. 30 gauge or 0.40 mm) thick galv steel air duct to be centered within the opening. Max one steel air duct to be installed within opening. Steel duct to be rigidly supported on top side of floor-ceiling assembly.
- 2A. Steel Air Duct — Max 10 by 4 in. (254 by 102 mm) rectangular by min 0.022 in (no. 26 gauge or 0.56 mm) thick galv steel air duct to be centered within the firestop system. Max one steel air duct to be installed within opening. Steel duct to be rigidly supported on top side of floor-ceiling assembly.
3. Firestop System — The firestop system shall consist of the following:
 - A. Packing Material — Min 9-7/8 in. (251 mm) thickness of unfaced duct wrap material compressed min 25 percent into opening as a permanent form between the insulated steel duct and the periphery of the opening. Packing material to be installed flush with bottom surface of ceiling and recessed from top surface of floor to accommodate the required thickness of fill material.
 - B. Fill, Void or Cavity Material* - Sealant — Min 3/4 in. (19 mm) thickness of fill material applied within annulus on top surface of floor.
SPECIFIED TECHNOLOGIES INC — SpecSeal Series SSS Sealant or SpecSeal LCI Sealant
EGS NELSON FIRESTOP — ES1399 Sealant
HILTI CONSTRUCTION CHEMICALS, DIV OF HILTI INC — FS-ONE Sealant or FS-ONE-MAX Intumescent Sealant
TREMCO INC — Fyre-Sil Sealant
DAP PRODUCTS INC — DAP Fire Stop Fire-Rated Silicone Sealant
3M COMPANY 3M FIRE PROTECTION PRODUCTS — FB-1000 NS Sealant
NUCO INC — Self Seal GG-200
 - C. Duct Wrap Materials* — Nom 1/2 in. (13 mm) thick, 8 pcf (128 kg/m3) or nom 1-1/2 in. (38 mm) thick, 6 pcf (96 kg/m3) with foil-scrim facers. The steel duct shall be wrapped with one layer of duct wrap installed in accordance with Ventilation Assembly No. V-32. The duct wrap is secured with min No. 18 Gauge (0.040 in. or 1 mm) galvanized steel wire formed into a loop on one end, with the other end passed through the loop, pulled hand tight and bent over. Tie wires spaced a max 12 in. (305 mm) OC See Ventilation Duct Assemblies in Vol. 2 of the Fire Resistance Directory. The annular space between the insulated steel duct and the periphery of the opening shall be a nom 1-1/2 in. (38 mm). A min 12 in. high collar consisting of an additional layer of 1/2 in. (13 mm) thick, 8 pcf (128 kg/m3) or nom 1-1/2 in. (38 mm) thick, 6 pcf (96 kg/m3) duct wrap, installed over the duct wrap flush with the top surface of the floor and extending upward. All seams and edges shall be sealed with min 3 in. (76 mm) wide pressure sensitive aluminum foil tape.
UNIFRAX I L L C — FyreWrap® DPS or FyreWrap® Elite 1.5

* Indicates such products shall bear the UL or cUL Certification Mark for jurisdictions employing the UL or cUL Certification (such as Canada), respectively.



Hilti Firestop Systems

Reproduced by HILTI, Inc. Courtesy of
Underwriters Laboratories, Inc.
March 27, 2017

Page: 2 of 2