

MULTIPLE NON-METALLIC PIPES THROUGH CONCRETE FLOOR ASSEMBLY

F AND FH-RATINGS = 2-HR.

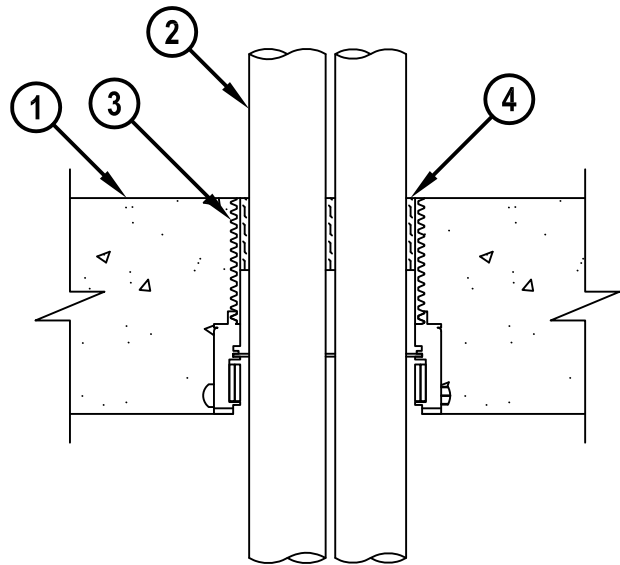
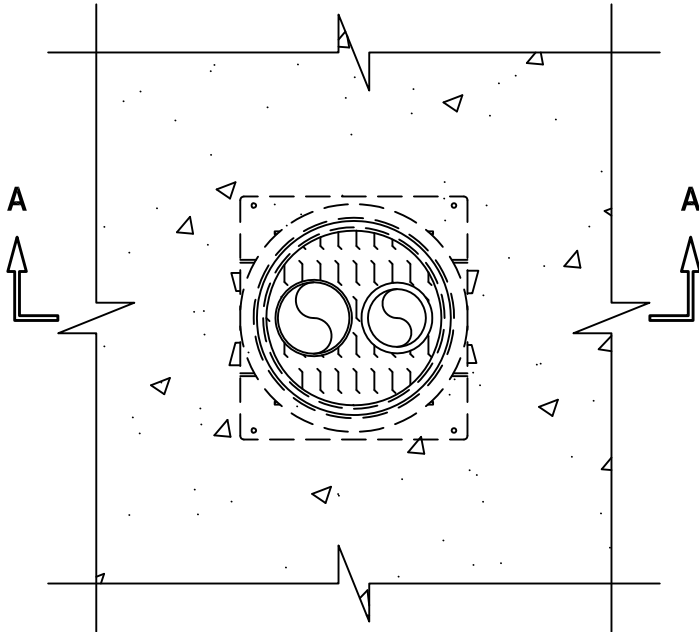
FT AND FTH-RATINGS = 0-HR.

NOTE : TESTED WITH A 50 Pa PRESSURE DIFFERENTIAL

cUL FB2011b.072115

TOP VIEW

SECTION A-A



1. LIGHTWEIGHT OR NORMAL WEIGHT CONCRETE FLOOR ASSEMBLY (MINIMUM 6" THICK) (2-HR. FIRE-RATING).
2. PENETRATING ITEMS TO CONSIST OF ANY COMBINATION OF THE FOLLOWING (CLOSED OR VENTED PIPING SYSTEM) (MAX. QTY. = 2) :
 - A. MAXIMUM 2" NOMINAL DIAMETER FUSIOTHERM (SDR 11 OR SDR 7.4 WITH FASER) PP PLASTIC PIPE MANUFACTURED BY AQUATHERM, INC.
 - B. MAXIMUM 2" NOMINAL DIAMETER CROSS-LINKED POLYETHYLENE (PEX) TUBING (SDR 9).
3. HILTI CP 680-P [2", 3", OR 4"] OR CP 680-PX [2" OR 3"] CAST-IN FIRESTOP DEVICE CAST OR GROUTED INTO FLOOR.
4. MINIMUM 2" THICKNESS MINERAL WOOL (MIN. 4 PCF DENSITY) TIGHTLY PACKED, FLUSH WITH TOP SURFACE OF FLOOR.

NOTE : ANNULAR SPACE BETWEEN PENETRANTS AND PERIPHERY OF OPENING = MINIMUM 0", MAXIMUM 1".



HILTI, Inc.
Plano, Texas USA (800) 879-8000

Sheet	1 of 1
Scale	3/16" = 1"
Date	July 21, 2015

Drawing No.
cUL
FB2011b