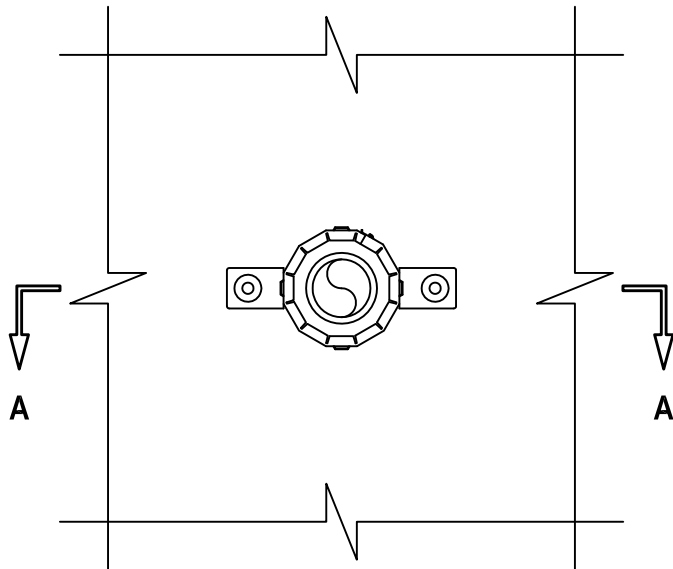


PLASTIC PIPE THROUGH WOOD FLOOR/CEILING ASSEMBLY

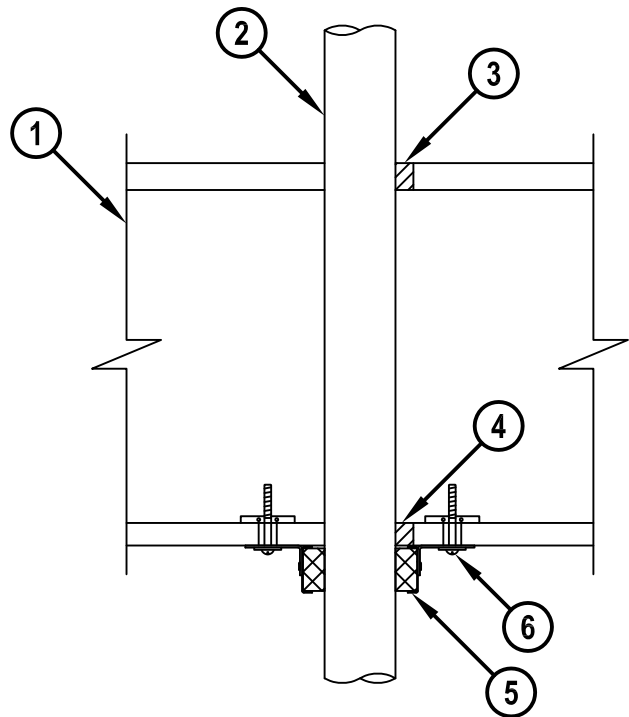
F, FT, FH, AND FTH-RATINGS = 1-HR.

cUL FC2035b.011715

BOTTOM VIEW



SECTION A-A



1. WOOD FLOOR/CEILING ASSEMBLY (UL/cUL CLASSIFIED L500 SERIES) (1-HR. FIRE-RATING).
2. PENETRATING ITEM TO BE ONE OF THE FOLLOWING :
 - A. MAXIMUM 2" NOMINAL DIAMETER FUSIOTHERM (SDR 11 OR SDR 7.4 WITH FASER) PP PLASTIC PIPE MANUFACTURED BY AQUATHERM, INC. (CLOSED PIPING SYSTEM ONLY).
 - B. MAXIMUM 2" NOMINAL DIAMETER CLIMATHERM (SDR 11 WITH FASER) PP PLASTIC PIPE MANUFACTURED BY AQUATHERM, INC. (CLOSED PIPING SYSTEM ONLY).
3. MINIMUM 3/4" DEPTH HILTI FS-ONE MAX OR FS-ONE INTUMESCENT FIRESTOP SEALANT FLUSH WITH TOP OF FLOOR (OR SOLE PLATE WHEN ROUTED WITHIN CHASE WALL).
4. MINIMUM 5/8" DEPTH HILTI FS-ONE MAX OR FS-ONE INTUMESCENT FIRESTOP SEALANT FLUSH WITH BOTTOM OF GYPSUM CEILING (OR LOWER TOP PLATE WHEN ROUTED WITHIN CHASE WALL).
5. HILTI CP 643N FIRESTOP COLLAR WITH FASTENING HOOKS.
6. ATTACH MOUNTING HOOKS TO CEILING ASSEMBLY WITH HILTI 1/8" TOGGLER BOLT AND WASHER (OR TO LOWER TOP PLATE WITH 1-1/2" LONG WOOD SCREWS AND WASHERS WHEN ROUTED WITHIN CHASE WALL).

NOTES : 1. MAXIMUM DIAMETER OF OPENING = 2-1/4".
 2. ANNULAR SPACE = MINIMUM 0", MAXIMUM 5/16".
 3. CHASE WALL [NOT SHOWN, OPTIONAL] - THE THROUGH PENETRANT MAY BE ROUTED THROUGH A 1-HR. FIRE-RATED GYPSUM CHASE WALL.



HILTI, Inc.
 Tulsa, Oklahoma USA (800) 879-8000

Sheet	1 of 1
Scale	3/16" = 1"
Date	Jan. 17, 2015

Drawing No.
cUL
FC2035b