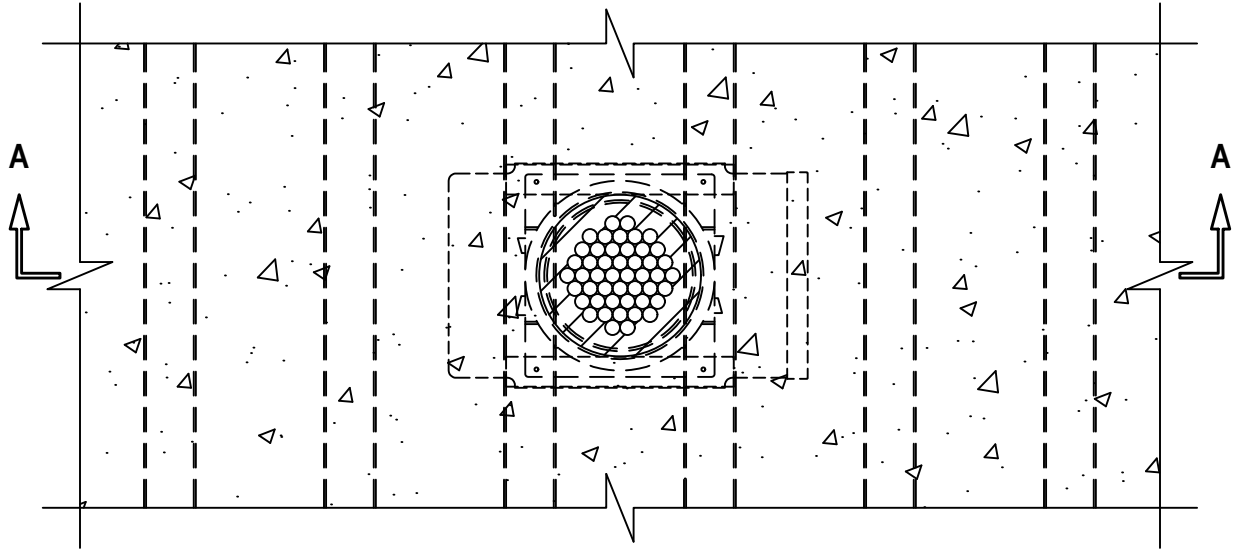


CABLE BUNDLE THROUGH CONCRETE FLOOR OVER METAL DECKING ASSEMBLY

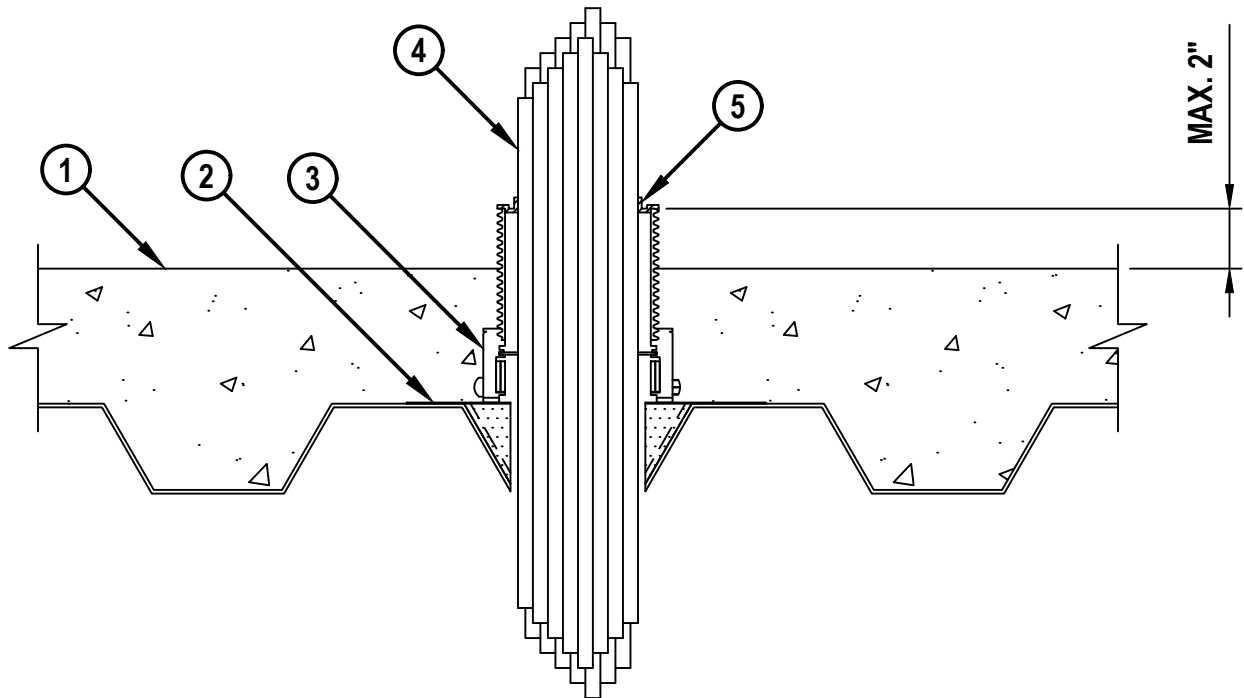
F-RATING = 3-HR.
FT, FH, AND FTH-RATINGS = 0-HR.

cUL FA3073b.111319

TOP VIEW



SECTION A-A



HILTI, Inc.
Plano, Texas USA (800) 879-8000

| | |
|-------|---------------|
| Sheet | 1 of 2 |
| Scale | 5/32" = 1" |
| Date | Nov. 13, 2019 |

Drawing No.
cUL
FA3073b

CABLE BUNDLE THROUGH CONCRETE FLOOR OVER METAL DECKING ASSEMBLY

F-RATING = 3-HR.
 FT, FH, AND FTH-RATINGS = 0-HR.

cUL FA3073b.111319

1. LIGHTWEIGHT OR NORMAL WEIGHT CONCRETE FLOOR ASSEMBLY (MINIMUM 4-1/2" THICK) OVER METAL DECKING (UL/cUL CLASSIFIED D900 SERIES) WITH 2" OR 3" FLUTED DECKS (3-HR. FIRE-RATING).
2. HILTI CFS-CID MD PLT [W2" OR W3"] METAL DECK PLATFORM SECURED TO DECK WITH ONE FASTENER IN EACH CORNER.
3. HILTI CFS-CID MD [M, P, OR PX] [2", 3", OR 4"]/[2.5" OR 4"] FIRESTOP CAST-IN DEVICE FOR METAL DECK SECURED TO HILTI CFS-CID MD PLT METAL DECK PLATFORM WITH SCREWS.
4. CABLE BUNDLE CONSISTING OF ANY OF THE FOLLOWING :
 - A. MAXIMUM 300 PAIR NO. 24 AWG TELEPHONE CABLE WITH PVC JACKET.
 - B. MAXIMUM 500 KCMIL POWER CABLE WITH PVC JACKET.
 - C. MAXIMUM 7/C NO. 12 AWG POWER CABLE WITH PVC JACKET.
 - D. MAXIMUM 1/2" DIAMETER FIBER-OPTIC CABLE (MAXIMUM 24 FIBER).
 - E. MAXIMUM 3/C NO. 12 AWG METAL-CLAD CABLE.
5. HILTI CP 617 FIRESTOP PUTTY PAD APPLIED AT TOP SURFACE OF DEVICE, OVERLAPPING ONTO CABLES AND DEVICE OR FLOOR.

| DIAMETER OF CABLE BUNDLE | PRODUCT DESCRIPTION |
|--------------------------|---|
| 1" TO 2" | CFS-CID MD M 2", CFS-CID MD [P OR PX] 2" |
| 3" | CFS-CID MD M 3", CFS-CID MD [P OR PX] 3" |
| 3" TO 4-1/2" | CFS-CID MD [P OR PX] 4" |
| 3" TO 4" | CFS-CID MD M 4", CFS-CID MD [P OR PX] 4" |



Hilti Firestop Systems

HILTI, Inc.
 Plano, Texas USA (800) 879-8000

Sheet 2 of 2

Scale -

Date Nov. 13, 2019

Drawing No.

cUL
FA3073b