

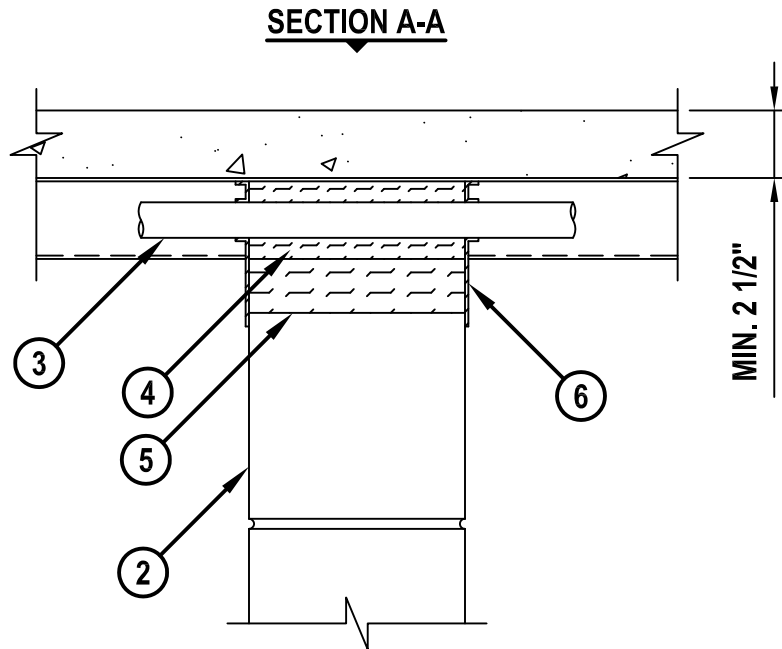
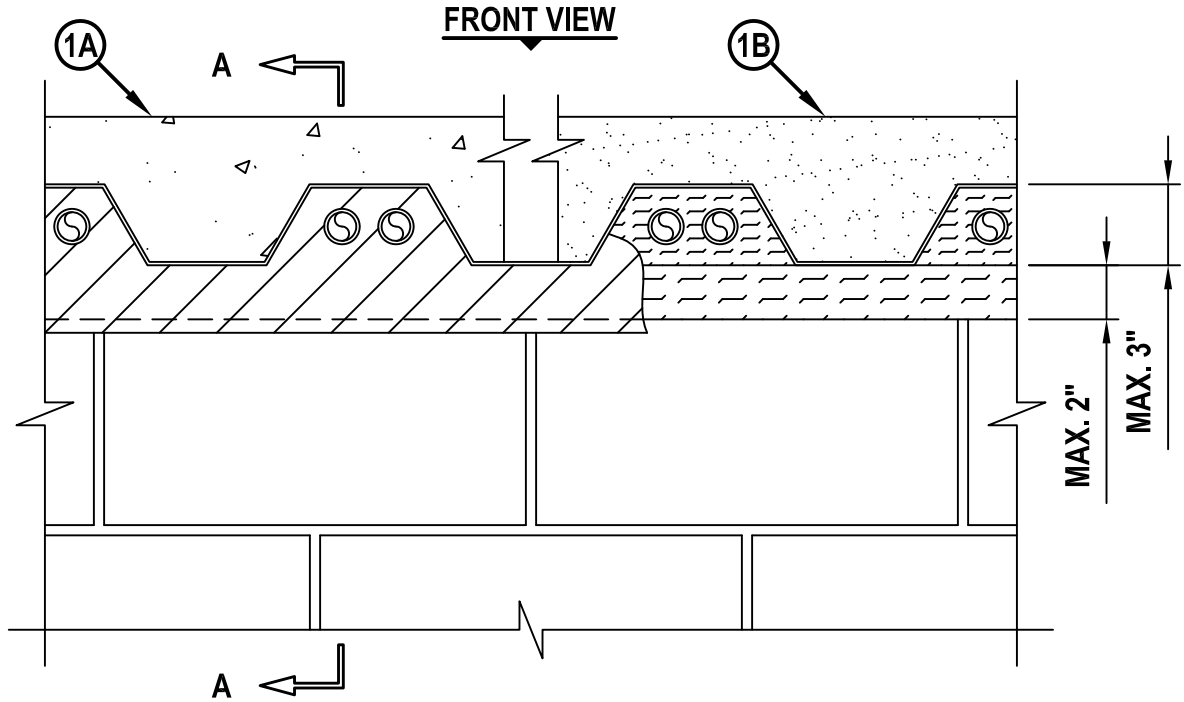
TOP OF WALL JOINT : CONCRETE WALL OR BLOCK WALL ASSEMBLY

F AND FH-RATINGS = 2-HR.

FT AND FTH-RATINGS = 0-HR.

CLASS II AND III MOVEMENT CAPABILITIES - 20% COMPRESSION OR EXTENSION, OR
CLASS II MOVEMENT CAPABILITIES - 20% COMPRESSION OR 12.5% EXTENSION (SEE NOTE NO. 6)

cUL HWD0004b.070110



HILTI, Inc.
Tulsa, Oklahoma USA (800) 879-8000

Sheet	1 of 2
Scale	9/64" = 1"
Date	July 01, 2010

Drawing No.
cUL
HWD0004b

TOP OF WALL JOINT : CONCRETE WALL OR BLOCK WALL ASSEMBLY

F AND FH-RATINGS = 2-HR.
 FT AND FTH-RATINGS = 0-HR.

CLASS II AND III MOVEMENT CAPABILITIES - 20% COMPRESSION OR EXTENSION, OR
 CLASS II MOVEMENT CAPABILITIES - 20% COMPRESSION OR 12.5% EXTENSION (SEE NOTE NO. 6)

cUL HWD0004b.070110

1. FLOOR OR ROOF ASSEMBLY (2-HR. FIRE-RATING) :
 - A. LIGHTWEIGHT OR NORMAL WEIGHT CONCRETE FLOOR (MIN. 2-1/2" THICK) OVER METAL DECKING.
 - B. INSULATING CONCRETE (MIN. 2-1/4" THICK) OVER METAL DECKING (UL/cUL CLASSIFIED P900 SERIES).
 - C. [NOT SHOWN] FLUTED STEEL ROOF DECK WITH SPRAY-APPLIED FIREPROOFING (UL/cUL CLASSIFIED P700 SERIES).
2. CONCRETE WALL ASSEMBLY (2-HR. FIRE-RATING) :
 - A. LIGHTWEIGHT OR NORMAL WEIGHT CONCRETE WALL (MINIMUM 4-1/2" THICK).
 - B. ANY UL/cUL CLASSIFIED CONCRETE BLOCK WALL.
3. [OPTIONAL] MAXIMUM 1-1/2" NOMINAL DIAMETER STEEL CONDUIT OR EMT (MAX. QTY. = 2 PER FLUTE).
4. HILTI CP 777 SPEED PLUGS FRICTION FITTED TO COMPLETELY FILL FLUTE FLUSH WITH BOTH SIDES OF WALL (SEE NOTE NO. 5 BELOW).
5. MINERAL WOOL (MIN. 4 PCF DENSITY) COMPRESSED 50%, FLUSH WITH BOTH SIDES OF WALL.
6. MINIMUM 1/8" (WET) THICKNESS HILTI CFS-SP WB FIRESTOP JOINT SPRAY OR HILTI CP 672 SPEED SPRAY TO COMPLETELY COVER MINERAL WOOL, OVERLAPPING MINIMUM 1/2" ONTO CONCRETE WALL, STEEL CONDUIT OR EMT, AND METAL DECK.

NOTES :

1. STEEL FLOOR UNITS MAY BE SPRAYED WITH A MINIMUM 5/16" THICKNESS TO MAXIMUM 1-3/4" THICKNESS OF UL CLASSIFIED MONOKOTE TYPE MK-6/HY (MANUFACTURED BY W.R. GRACE) OR TYPE 300 (MANUFACTURED BY ISOLATEK, INT.) FIREPROOFING PRIOR TO INSTALLATION OF CEILING RUNNERS.
2. WHEN THE STEEL DECK IS COATED WITH FIREPROOFING, HILTI FIRESTOP SPRAY SHALL OVERLAP THE WALL MINIMUM 1/2" AND OVERLAP THE FIREPROOFING MINIMUM 2" ON BOTH SIDES OF WALL ASSEMBLY.
3. ANNULAR SPACE BETWEEN PENETRANTS (LARGER THAN 1/2" NOMINAL DIAMETER) AND METAL DECK = MINIMUM 1/2".
4. ANNULAR SPACE BETWEEN PENETRANTS = MINIMUM 1/2".
5. AS AN ALTERNATE TO HILTI CP 777 SPEED PLUGS, MINERAL WOOL (MIN. 4 PCF DENSITY) COMPRESSED 50% MAY BE USED.
6. MOVEMENT CAPABILITIES ARE 20% COMPRESSION AND 12.5% EXTENSION WHEN TYPE 300 FIREPROOFING IS USED.



HILTI, Inc.
 Tulsa, Oklahoma USA (800) 879-8000

Sheet	2 of 2
Scale	-
Date	July 01, 2010

Drawing No.
cUL
HWD0004b