



Classified by
Underwriters Laboratories, Inc.
to CAN/ULC-S115

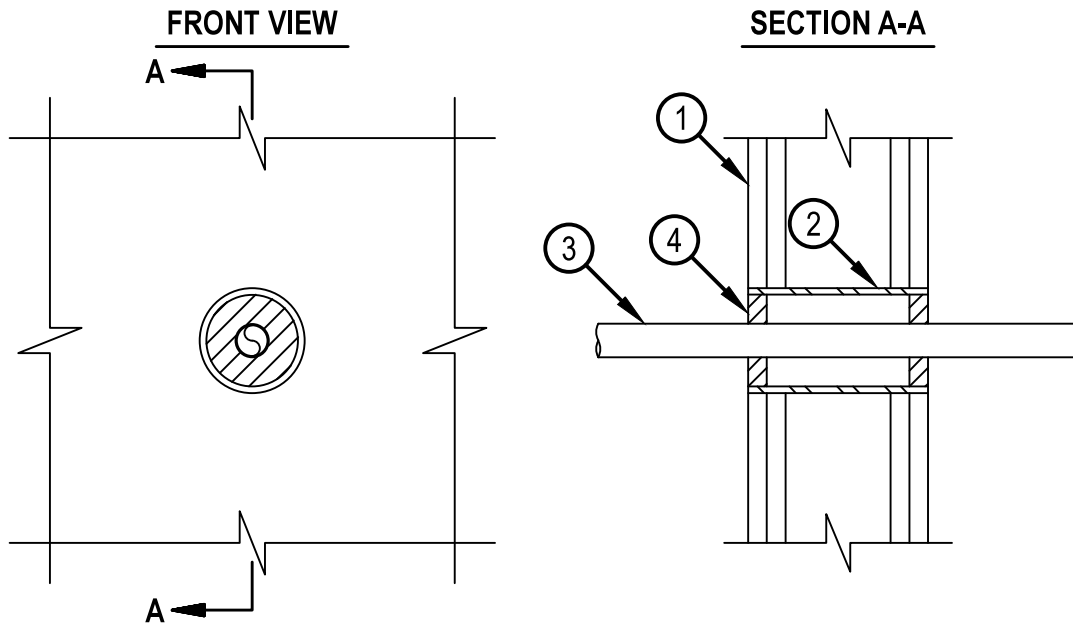
System No. W-L-2062

F Rating - 1 and 2 Hr (see item 1)

FT, FH and FTH Ratings - 0 Hr



WL 2062



System tested with a pressure differential of 50 Pa between the exposed and the unexposed surfaces with the higher pressure on the exposed side.

1. Wall Assembly — The 1 or 2 h fire-rated gypsum wallboard/stud wall assembly shall be constructed of the materials and in the manner specified in the individual U300, U400, V400 or W400 Series Wall and Partition Designs in the UL Fire Resistance Directory and shall include the following construction features:
 - A. Studs — Wall framing may consist of either wood studs or steel channel studs. Wood studs to consist of 38 by 89 mm (2 by 4 in.) lumber spaced 406 mm (16 in.) OC. Steel studs to be min 89 mm (3-1/2 in.) wide and spaced max 610 mm (24 in.) OC.
 - B. Gypsum Board* — Nom 16 mm (5/8 in.) thick, 1219 mm (4 ft) wide gypsum wallboard, as specified in the individual Wall and Partition Design. Max diam of opening is 76 mm (3 in.).
 2. Metallic Sleeve — (Optional) - Nom 76 mm (3 in.) diam (or smaller) Schedule 10 (or lighter) steel pipe friction fitted within opening with the ends flush with both surfaces of the wall.
 3. Cross-Linked Polyethylene (PEX) Tubing — Nom 25 mm (1 in.) diam (or smaller) SDR 9 PEX tubing. One nonmetallic pipe to be installed concentrically or eccentrically within the firestop system. Annular space between pipe and periphery of opening to be min 6 mm (1/4 in.), to max 35 mm (1-3/8).
 4. Fill, Void or Cavity Material* - Sealant — Minimum 5/8 in. (16 mm), thickness of fill material applied within the annulus, flush with both surfaces of wall.
HILTI CONSTRUCTION CHEMICALS, DIV OF HILTI INC — FS-ONE Sealant or FS-ONE MAX Intumescent Sealant.
- * Indicates such products shall bear the UL or cUL Certification Mark for jurisdictions employing the UL or cUL Certification (such as Canada), respectively.



Hilti Firestop Systems

Reproduced by HILTI, Inc. Courtesy of
Underwriters Laboratories, Inc.

January 26, 2015