

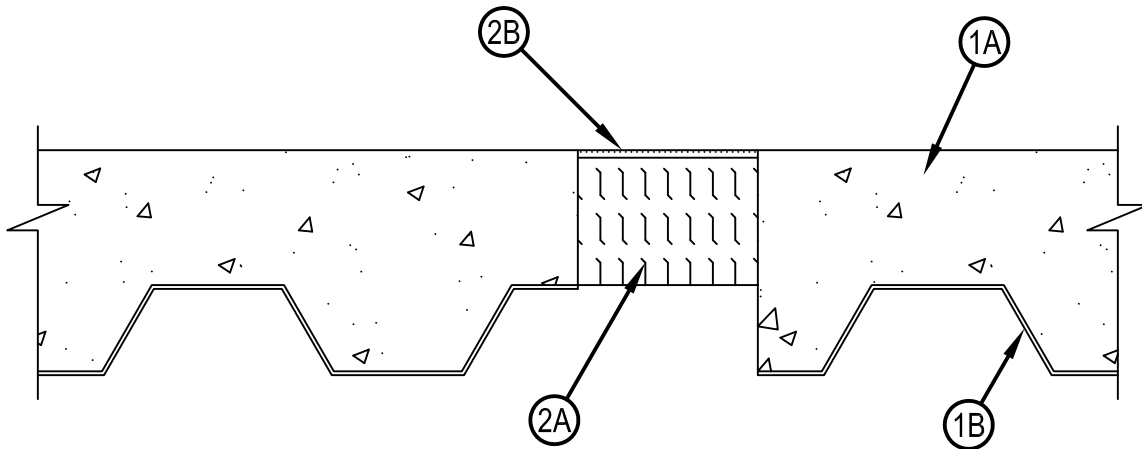


Classified by  
Underwriters Laboratories, Inc.  
to UL 1479 and CAN/ULC-S115

## System No. F-A-0008

FA 0008

ANSI/UL1479 (ASTM E814)	CAN/ULC S115
F Rating — 2 Hr	F Rating — 2 Hr
T Rating — 1-1/2 Hr	FT Rating — 1-1/2 Hr
	FH Rating — 2 Hr
	FTH Rating — 1-1/2 Hr



1. Floor Assembly — The fire rated unprotected concrete and steel floor assembly shall be constructed of the materials and in the manner specified in the individual D900 Series designs in the UL Fire Resistance Directory and as summarized below:

- A. Concrete — Min 4-1/2 in. thick reinforced lightweight or normal weight (100-150 pcf) concrete.
- B. Steel Floor and Form Units\* — Composite or non-composite max 3 in. deep galv steel fluted units as specified in the individual Floor-Ceiling Design. Max diam of opening is 6 in.

1A. Floor Assembly — (Optional — Not Shown) — Min 4-1/2 in. thick reinforced lightweight or normal weight (100 - 150 pcf) concrete.

2. Firestop System — The firestop system shall consist of the following:

- A. Packing Material — Min 4-1/4 in. thickness of 4 pcf mineral wool batt insulation tightly packed into the opening as a permanent form. Packing material to be recessed from top surface of floor as required to accommodate the required thickness of fill material.
- B. Fill Void or Cavity Material\* — Sealant — Min 1/4 in. thickness of fill material applied within the joint, flush with top surface of floor.  
HILTI CONSTRUCTION CHEMICALS, DIV OF HILTI INC — CFS-S SIL GG or CFS-S SIL SL Sealant

\* Indicates such products shall bear the UL or cUL Certification Mark for jurisdictions employing the UL or cUL Certification (such as Canada), respectively.



**Hilti Firestop Systems**

Reproduced by HILTI, Inc. Courtesy of  
Underwriters Laboratories, Inc.  
June 23, 2016