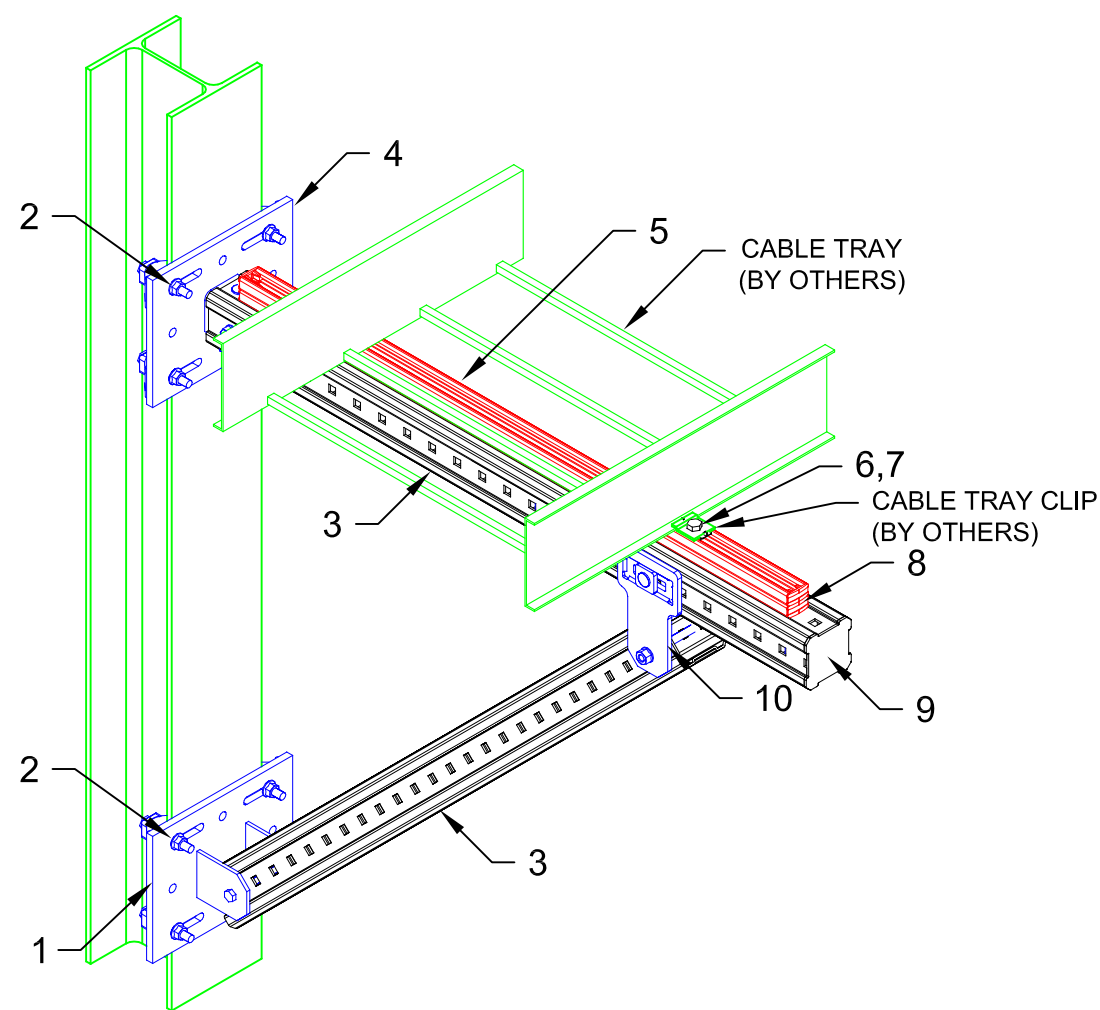
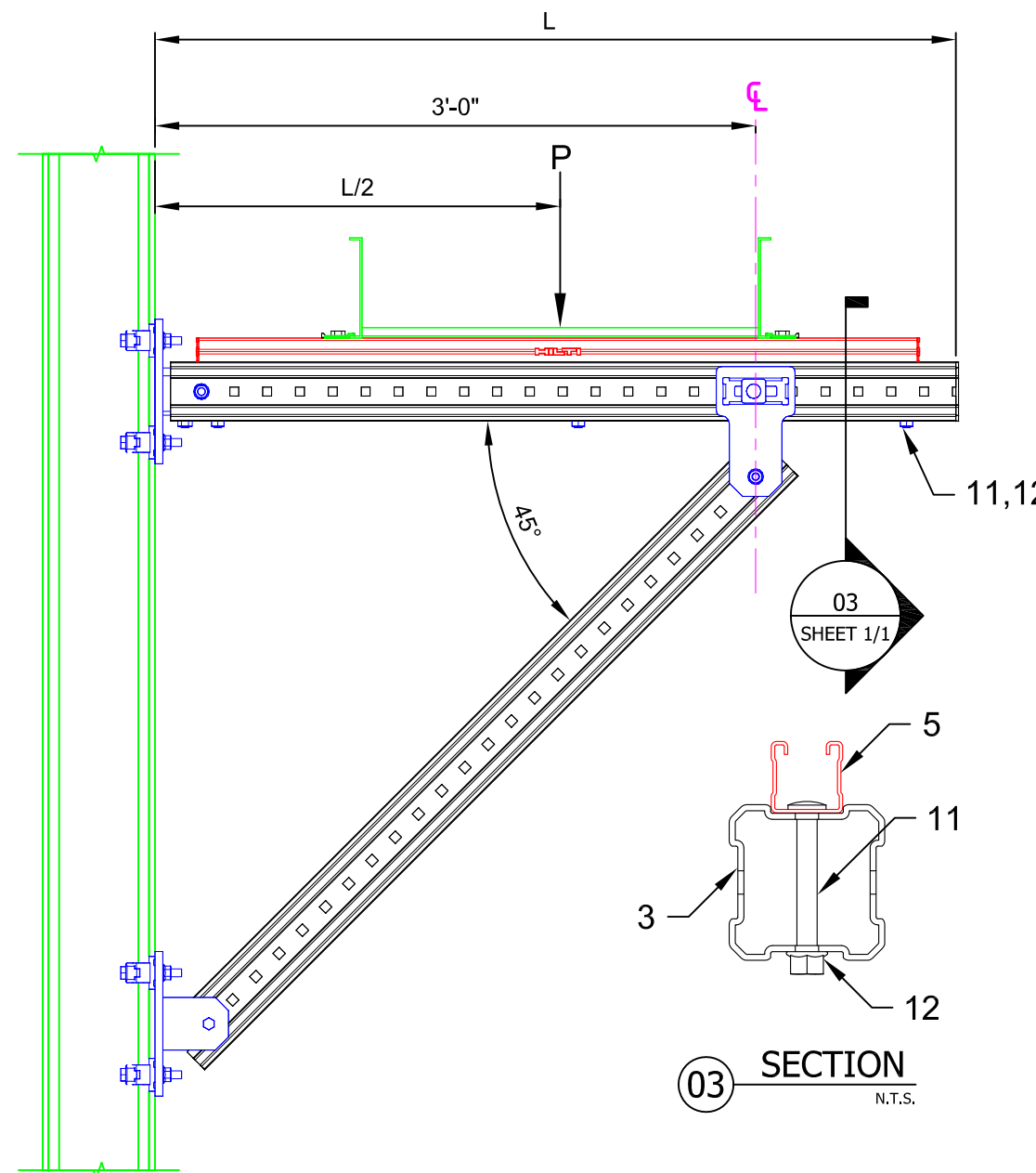




All loading and design criteria supplied by customer is assumed accurate. Only the stated Design Assumptions were considered, and must be verified by the responsible Engineer of Record (EOR). The basis of Hilti component and connection design is the published data in the current Hilti Technical Guide, including material and cross-section properties, allowable load values, factors of safety, methods of calculation, and limiting factors. The EOR must verify suitability for any specific application, and the capacity of the supportive structure to receive the shown configuration and associated reaction loads. Modification to components and/or design may alter performance and must be evaluated by the EOR.



01 ISOMETRIC
N.T.S.



02 ELEVATION
N.T.S.

TYPICAL DETAIL TYPE:
CABLE TRAY SUPPORT

TYPICAL DETAIL DESCRIPTION:
BRACED CANTILEVER SINGLE

DESIGNED BY: KL	REVIEWED BY: AJV
--------------------	---------------------

DRAWN BY: GAB	ISSUE DATE: 05 JAN 15
------------------	--------------------------

REVISIONS:		
NO.	DESCRIPTION:	DATE:
A	ORIGINAL ISSUE	05 JAN 15

TYPICAL DETAIL NOMENCLATURE:
CT-BC09-S

DRAWING NUMBER: 01	SHEET: 1/1
------------------------------	----------------------

No.	Unit Qty	Unit	Description	Box Qty	# Boxes Needed	Item No.
1	1	EA	CONNECTOR MIC-SA-MA STEEL	2	1	304815
2	8	EA	BEAM CLAMP MI-SGC-M12	16	1	233859
3	AS REQ'D	EA	GIRDER MI-90 3M	1	AS REQ'D	304798
4	1	EA	CONNECTOR MIC-S90-A STEEL	2	1	304812
5	AS REQ'D	EA	STRUT HS-158-12/HDG 10'	1	AS REQ'D	407570
6	2	EA	HEX HEAD BOLT 1/2"X1" HDG	VARIES	VARIES	SPECIAL
7	2	EA	WING NUT MQM-F1/2"-F	25	1	304137
8	4	EA	CHANNEL END CAP MEK RED	50	1	244886
9	1	EA	GIRDER END CAP MIA-EC90	25	1	432077
10	1	PR	CONNECTOR MIC-U-MA	2	1	304806
11	3	EA	ONEHAND SCREW MIA-OH90	10	1	304889
12	3	EA	MI HEX NUT M12-F-SL-WS 3/4"	100	1	382897

NOTE(S):
 1. PRELIMINARY NOT FOR CONSTRUCTION
 2. DESIGN ASSUMPTIONS:
 a. DESIGN LOADS (STATIC, U.N.O.):
 DL:
 L=4'-0": P_{MAX}=1000 lbs
 L=5'-0": P_{MAX}=1000 lbs
 L=6'-0": P_{MAX}=1000 lbs
 b. LATERAL LOADS NOT CONSIDERED
 c. BUILDING CODE: NBC
 d. CORROSION RESISTANCE REQ'D.: HDG / EG
 2. REFER TO COMPONENT MANUFACTURER'S IFUs FOR REQUIRED INSTALLATION INFO.
 3. E.O.R. MUST BE NOTIFIED OF ANY DEVIATIONS FROM EXISTING/ NEW SUBSTRATE CONDITIONS SHOWN HEREIN TO VALIDATE ACCEPTANCE OF THIS HILTI DESIGN PRIOR TO INSTALLATION.

\\hilti.com\US\TEAMS\Installations\Typicals\CABLE TRAY (CT)\CAD\CT-BC09-S.dwg, 1/5/2015 11:37:33 AM