



All loading and design criteria supplied by customer is assumed accurate. Only the stated Design Assumptions were considered, and must be verified by the responsible Engineer of Record (EOR). The basis of Hilti component and connection design is the published data in the current Hilti Technical Guide, including material and cross-section properties, allowable load values, factors of safety, methods of calculation, and limiting factors. The EOR must verify suitability for any specific application, and the capacity of the supportive structure to receive the shown configuration and associated reaction loads. Modification to components and/or design may alter performance and must be evaluated by the EOR.

TYPICAL DETAIL TYPE:
CABLE TRAY SUPPORT

TYPICAL DETAIL DESCRIPTION:
BRACED CANTILEVER STACKED

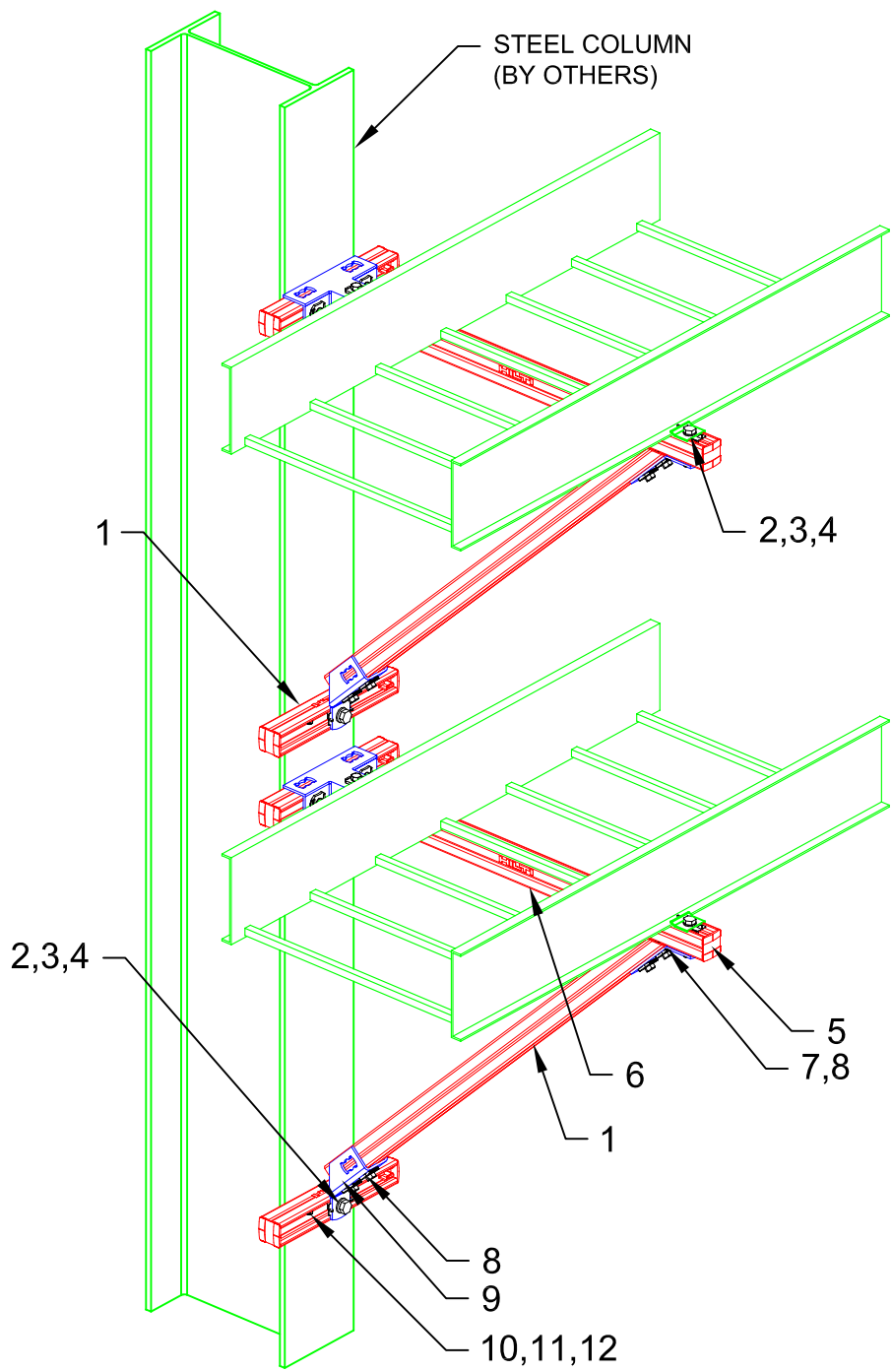
DESIGNED BY: KL	REVIEWED BY: AJV
--------------------	---------------------

DRAWN BY: GAB	ISSUE DATE: 05 JAN 15
------------------	--------------------------

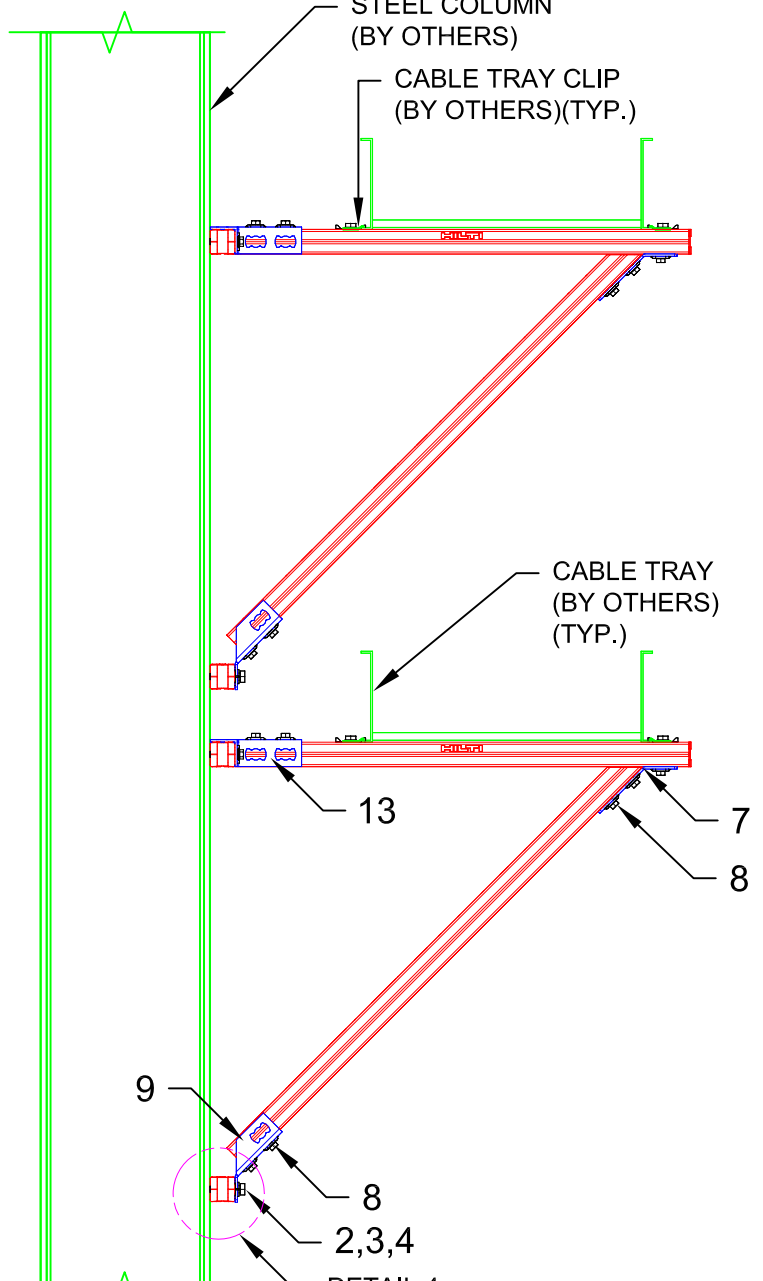
REVISIONS:		
NO.	DESCRIPTION:	DATE:
A	ORIGINAL ISSUE	05 JAN 15

TYPICAL DETAIL NOMENCLATURE:
CT-BC50-S

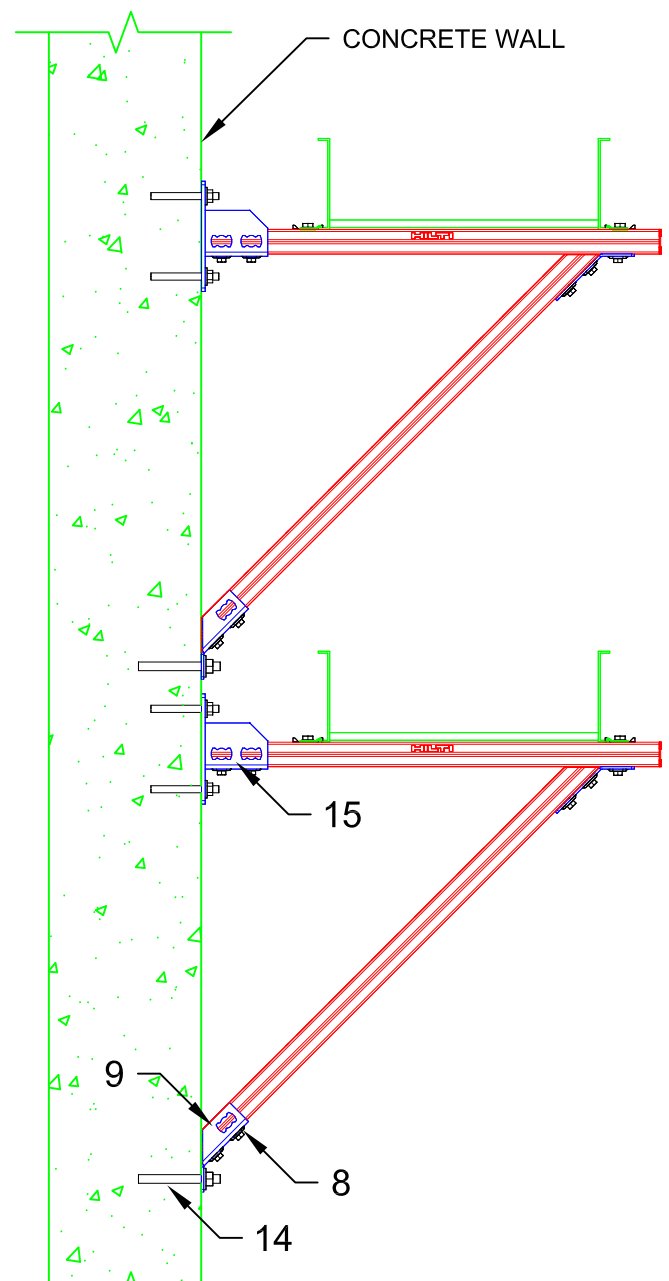
DRAWING NUMBER: 01	SHEET: 1/1
------------------------------	----------------------



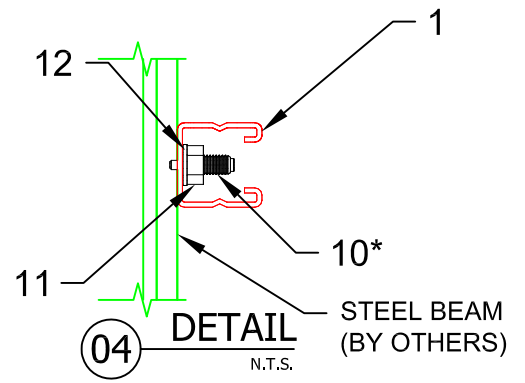
01 ISOMETRIC
N.T.S.
(SUPPORT FROM STEEL COLUMN W/ XBT)



02 ELEVATION
N.T.S.
(SUPPORT FROM STEEL COLUMN W/ XBT)



03 ELEVATION
N.T.S.
(SUPPORT FROM CONCRETE WALL)



04 DETAIL
N.T.S.
STEEL BEAM (BY OTHERS)

- NOTE(S):**
- PRELIMINARY NOT FOR CONSTRUCTION
 - DESIGN ASSUMPTIONS:
 - NO LOADS CONSIDERED - CONCEPT ONLY
 - LATERAL LOADS NOT CONSIDERED
 - BUILDING CODE: NOT SPECIFIED
 - CORROSION RESISTANCE REQD.: NOT SPECIFIED
 - REFER TO COMPONENT MANUFACTURER'S IFUs FOR REQUIRED INSTALLATION INFO.
 - E.O.R. MUST BE NOTIFIED OF ANY DEVIATIONS FROM EXISTING/ NEW SUBSTRATE CONDITIONS SHOWN HEREIN TO VALIDATE ACCEPTANCE OF THIS HILTI DESIGN PRIOR TO INSTALLATION.
 - *MATERIAL THICKNESS IN STEEL BASE \geq 5/16". MINIMUM EDGE DISTANCE AND MINIMUM SPACING ARE 1/4" AND 5/8" RESPECTIVELY.