



All loading and design criteria supplied by customer is assumed accurate. Only the stated Design Assumptions were considered, and must be verified by the responsible Engineer of Record (EOR). The basis of Hilti component and connection design is the published data in the current Hilti Technical Guide, including material and cross-section properties, allowable load values, factors of safety, methods of calculation, and limiting factors. The EOR must verify suitability for any specific application, and the capacity of the supportive structure to receive the shown configuration and associated reaction loads. Modification to components and/or design may alter performance and must be evaluated by the EOR.

TYPICAL DETAIL TYPE:

CABLE TRAY SUPPORT

TYPICAL DETAIL DESCRIPTION:

DIRECT - SINGLE - X-BT

DESIGNED BY:
KL

REVIEWED BY:
AJV

DRAWN BY:
GAB

ISSUE DATE:
05 JAN 15

REVISIONS:

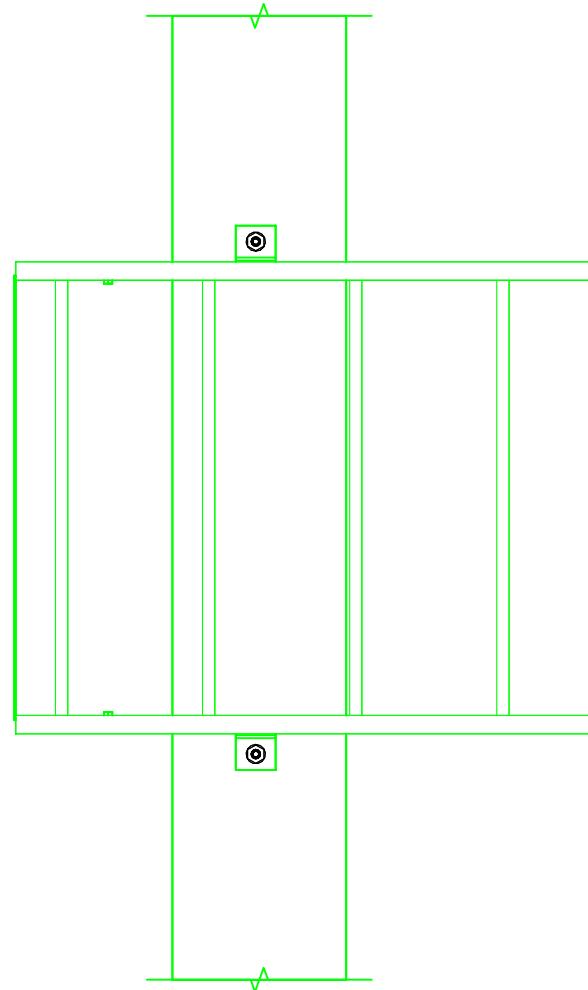
NO:	DESCRIPTION:	DATE:
A	ORIGINAL ISSUE	05 JAN 15

TYPICAL DETAIL NOMENCLATURE:

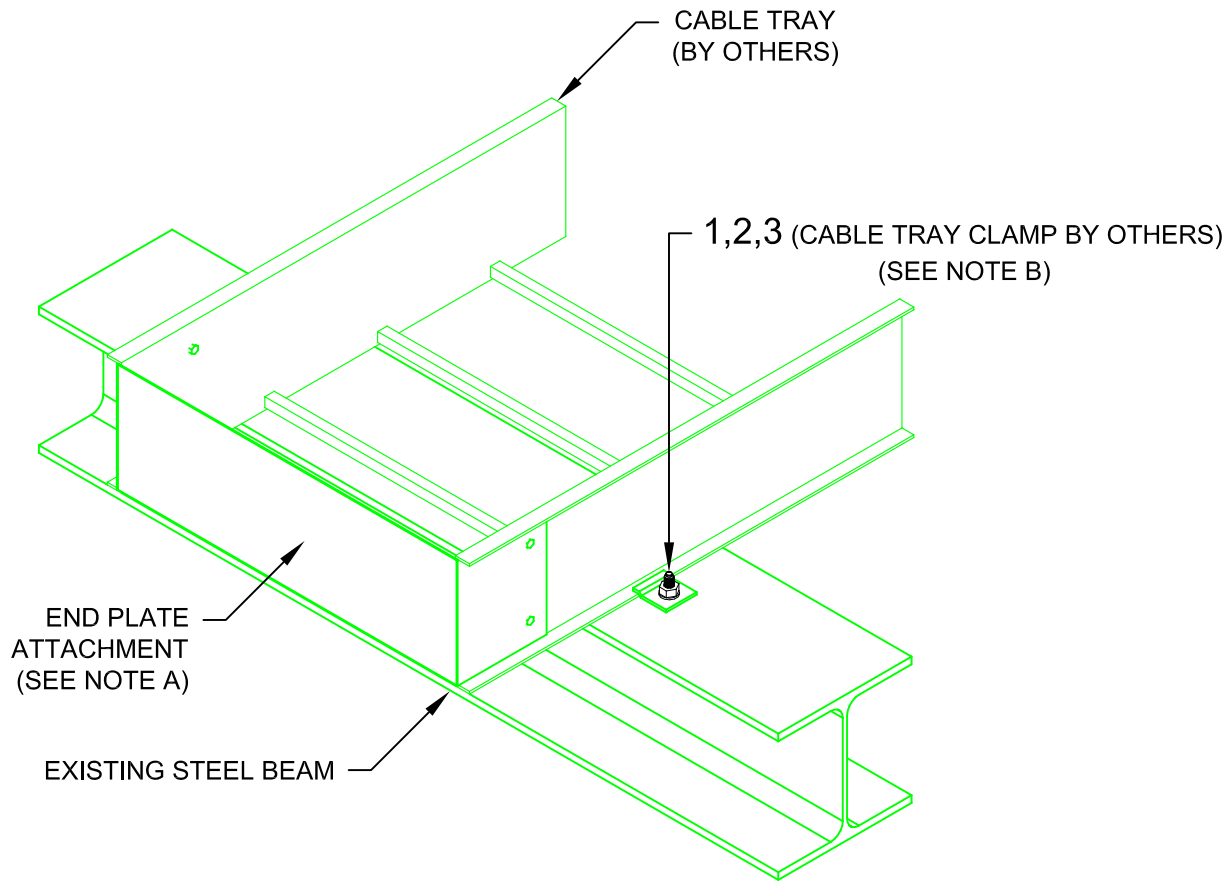
CT-DC52-S

DRAWING NUMBER:
01

SHEET:
1/1



02 PLAN
N.T.S.



01 ISOMETRIC
N.T.S.

NOTE(S):

- A. BOLT HEADS SHALL BE LOCATED INSIDE TRAY.
- B. TRAY CLAMPS SHOWN ON OUTSIDE OF TRAY FOR CLARITY. PREFERRED LOCATION IS INSIDE OF TRAY.

NOTE(S):

- 1. PRELIMINARY NOT FOR CONSTRUCTION
- 2. DESIGN ASSUMPTIONS:
 - a. NO LOADS CONSIDERED - CONCEPT ONLY
 - b. LATERAL LOADS NOT CONSIDERED
 - c. BUILDING CODE: NOT SPECIFIED
 - d. CORROSION RESISTANCE REQD.: HDG/SS
- 2. REFER TO COMPONENT MANUFACTURER'S IFUs FOR REQUIRED INSTALLATION INFO.
- 3. E.O.R. MUST BE NOTIFIED OF ANY DEVIATIONS FROM EXISTING/ NEW SUBSTRATE CONDITIONS SHOWN HEREIN TO VALIDATE ACCEPTANCE OF THIS HILTI DESIGN PRIOR TO INSTALLATION.

No.	Unit Qty	Unit	Description	Box Qty	# Boxes Needed	Item No.
1	2	EA	X-BTW10-24-6 SN12-R	100	1	377076
2	2	EA	WASHER 3/8" SS316	200	1	411780
3	2	EA	HEX NUT STANDARD 3/8" SS316	100	1	411775