



All loading and design criteria supplied by customer is assumed accurate. Only the stated Design Assumptions were considered, and must be verified by the responsible Engineer of Record (EOR). The basis of Hilti component and connection design is the published data in the current Hilti Technical Guide, including material and cross-section properties, allowable load values, factors of safety, methods of calculation, and limiting factors. The EOR must verify suitability for any specific application, and the capacity of the supportive structure to receive the shown configuration and associated reaction loads. Modification to components and/or design may alter performance and must be evaluated by the EOR.

TYPICAL DETAIL TYPE:
CABLE TRAY SUPPORT

TYPICAL DETAIL DESCRIPTION:
COMBO SUPPORT

DESIGNED BY: KL
REVIEWED BY: AJV

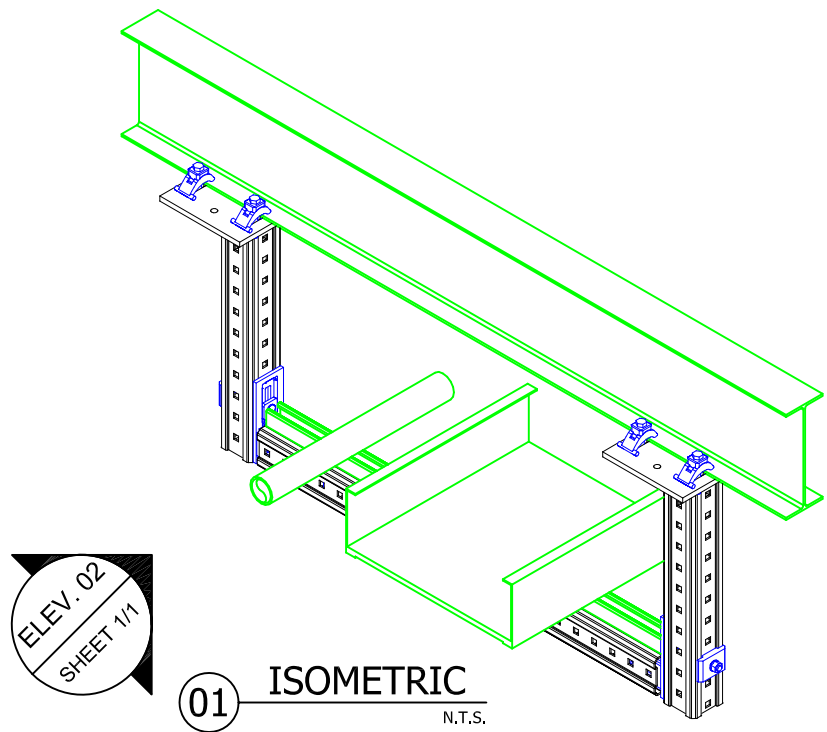
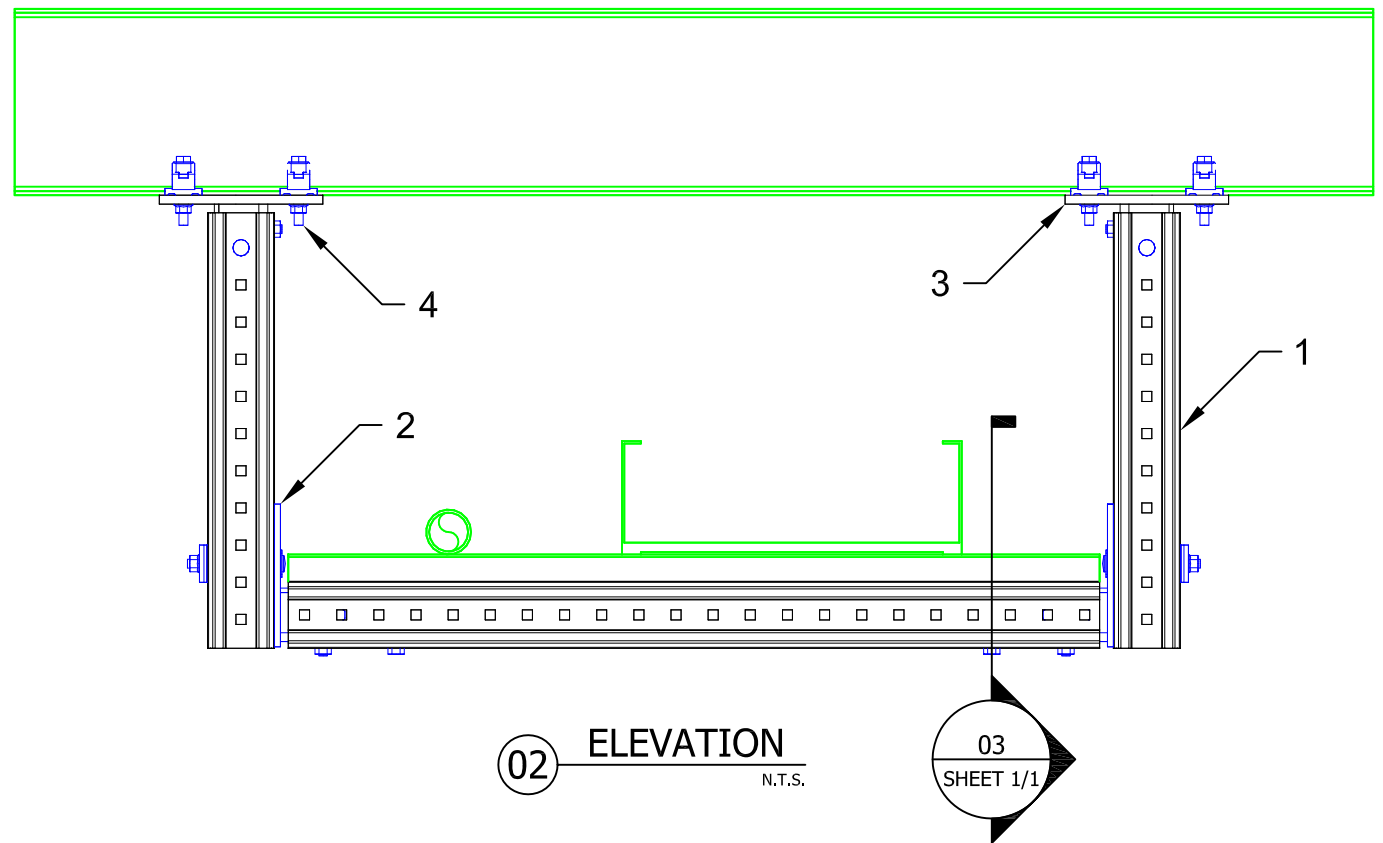
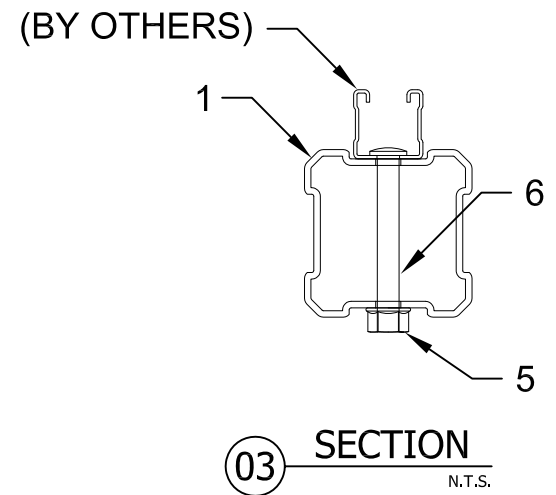
DRAWN BY: GAB
ISSUE DATE: 31 DEC 14

REVISIONS:

NO.	DESCRIPTION:	DATE:
A	ORIGINAL ISSUE	31 DEC 14

TYPICAL DETAIL NOMENCLATURE:
CT-TR04-S

DRAWING NUMBER: 01
SHEET: 1/1



No.	Unit Qty	Unit	Description	Box Qty	# Boxes Needed	Item No.
1	AS REQ'D	EA	GIRDER MI-90 3M	1	AS REQ'D	304798
2	2	EA	CONNECTOR MIC-90-U	4	1	304803
3	2	EA	STEEL CONNECTION AS REQUIRED	2	1	SEE TABLE
4	8	EA	BEAM CLAMP MI-SGC-M12	16	1	233859
5	2	EA	MI HEX NUT M12-F-SL-WS 3/4"	100	1	382897
6	2	EA	ONEHAND SCREW MIA-OH90	10	1	304889

MIC-S90-X

Beam Width Table

X	'B' Width	Item No.
A	2.9 to 6.5	304812
B	6.5 to 9.2	304813
C	9.2 to 11.8	304814

NOTE(S):
1. PRELIMINARY NOT FOR CONSTRUCTION
2. NO LOADS CONSIDERED.

\\hilti.com\US\TEAMS\installations\Projects\TYPICALS\CABLE TRAY (CT)\CAD\CT-TR04-S.dwg, 12/31/2014 4:30:44 PM