

cUL SYSTEM NO. W-L-2578

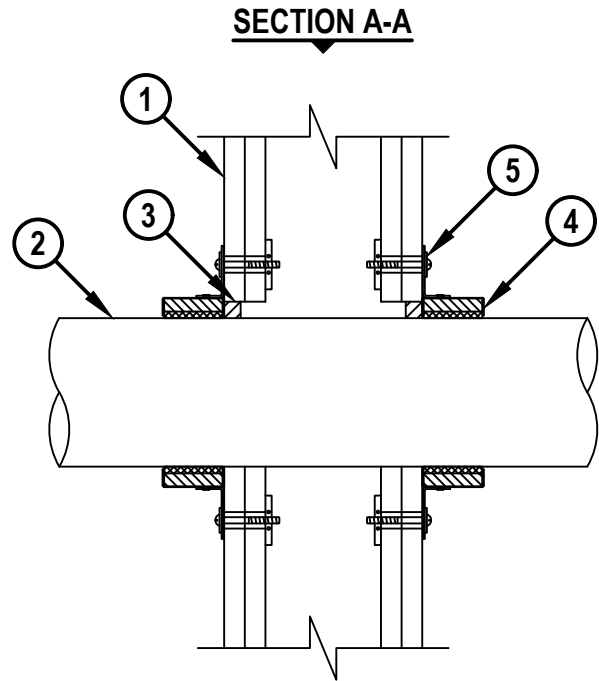
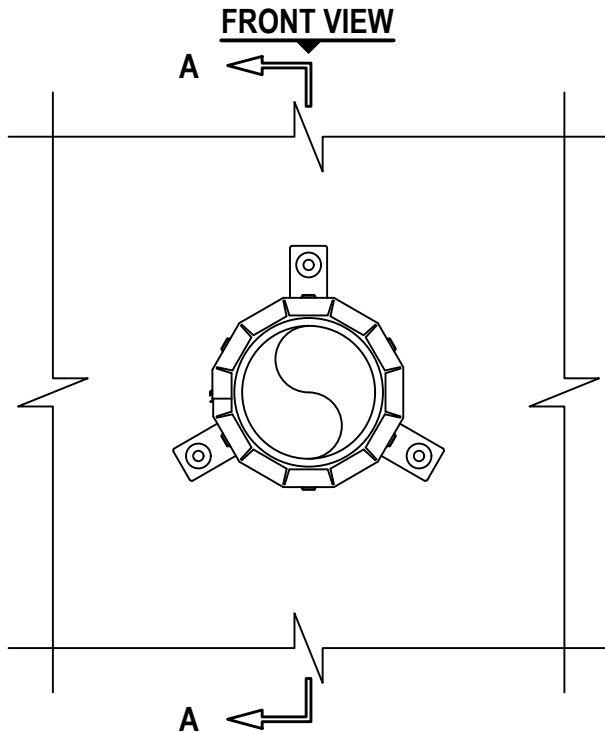


PLASTIC PIPE THROUGH GYPSUM WALL ASSEMBLY

F-RATING = 1-HR. OR 2-HR.
FT-RATING = 0-HR. OR 1-HR.
FH AND FTH-RATINGS = 0-HR.

NOTE : TESTED WITH A 50 Pa PRESSURE DIFFERENTIAL

cUL WL2578c.110421



1. GYPSUM WALL ASSEMBLY (UL/cUL CLASSIFIED U300, U400, OR V400 SERIES) (1-HR. OR 2-HR. FIRE-RATING) (2-HR. SHOWN) TO INCLUDE THE FOLLOWING CONSTRUCTION FEATURES :
 - A. [NOT SHOWN] WOOD STUDS TO CONSIST OF NOMINAL 2" x 4" LUMBER (SPACED MAXIMUM 16" OC). STEEL STUDS TO BE MINIMUM 3-1/2" WIDE (SPACED MAXIMUM 24" OC).
 - B. NOMINAL 5/8" THICK GYPSUM WALLBOARD. TYPE, NUMBER OF LAYERS, AND SHEET ORIENTATION AS SPECIFIED IN THE INDIVIDUAL UL DESIGN.
2. MAXIMUM 4" NOMINAL DIAMETER XFR 15/50 PVC PLASTIC PIPE (SCH. 40) (SOLID CORE) (VENTED OR CLOSED PIPING SYSTEM).
3. MINIMUM 1/2" DEPTH HILTI FS-ONE MAX INTUMESCENT FIRESTOP SEALANT OR HILTI CP 606 FLEXIBLE FIRESTOP SEALANT FLUSH WITH BOTH SURFACES OF WALL.
4. HILTI CP 643N FIRESTOP COLLAR WITH FASTENING HOOKS.
5. ATTACH EACH FASTENING HOOK TO WALL ASSEMBLY WITH HILTI 3/16" TOGGLER BOLTS AND WASHERS.

NOTES : 1. MAXIMUM DIAMETER OF OPENING = 5".
2. ANNULAR SPACE = MINIMUM 0", MAXIMUM 1/2".



HILTI, Inc.
Plano, Texas USA (800) 879-8000

Sheet	1 of 1
Scale	11/64" = 1"
Date	Nov. 04, 2021

Drawing No.
cUL
WL2578c