

PLASTIC PIPE THROUGH CONCRETE FLOOR/WALL OR BLOCK WALL

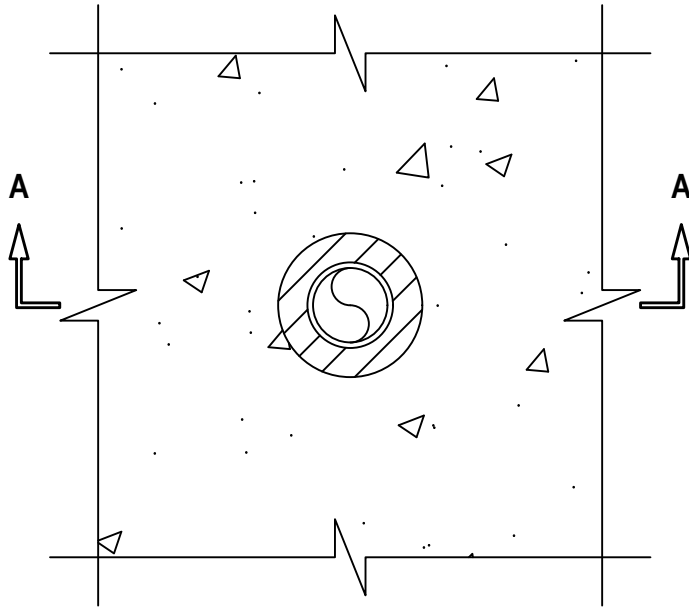
F-RATING = 2-HR.

FT, FH, AND FTH-RATINGS = 0-HR.

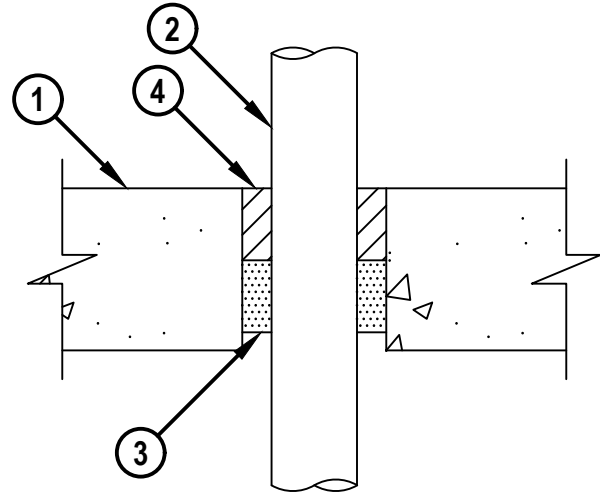
NOTE : TESTED WITH A 50 Pa PRESSURE DIFFERENTIAL

cUL CAJ2078c.060723

TOP VIEW



SECTION A-A



1. CONCRETE FLOOR OR WALL ASSEMBLY (2-HR. FIRE-RATING) :
 - A. LIGHTWEIGHT OR NORMAL WEIGHT CONCRETE FLOOR (MINIMUM 4-1/2" THICK).
 - B. LIGHTWEIGHT OR NORMAL WEIGHT CONCRETE WALL (MINIMUM 6" THICK).
 - C. ANY UL/cUL CLASSIFIED CONCRETE BLOCK WALL.
2. MAXIMUM 2" NOMINAL DIAMETER PVC PLASTIC PIPE (CELLULAR OR SOLID CORE) (SCH 40) (CLOSED OR VENTED PIPING SYSTEM).
3. MINIMUM 2" DEPTH HILTI CF 812 WD LOW-PRESSURE DOOR AND WINDOW FOAM OR HILTI CF-AS CJP ALL SEASONS FIREBLOCK FOAM RECESSED 2" FROM TOP SURFACE OF CONCRETE FLOOR OR BOTH SURFACES OF A WALL.
4. MINIMUM 2" DEPTH HILTI FS-ONE MAX INTUMESCENT FIRESTOP SEALANT.

NOTES : 1. MAXIMUM DIAMETER OF OPENING = 4".
 2. ANNULAR SPACE = NOMINAL 13/16".
 3. HILTI FS-ONE MAX INTUMESCENT FIRESTOP SEALANT IS REQUIRED ON BOTH SIDES OF A WALL.



HILTI, Inc.
 Tulsa, Oklahoma USA (800) 879-8000

Sheet	1 of 1
Scale	3/16" = 1"
Date	June 07, 2023

Drawing No.
cUL
CAJ2078c