



All loading and design criteria supplied by customer is assumed accurate. Only the stated Design Assumptions were considered, and must be verified by the responsible Engineer of Record (EOR). The basis of Hilti component and connection design is the published data in the current Hilti Technical Guide, including material and cross-section properties, allowable load values, factors of safety, methods of calculation, and limiting factors. The EOR must verify suitability for any specific application, and the capacity of the supportive structure to receive the shown configuration and associated reaction loads. Modification to components and/or design may alter performance and must be evaluated by the EOR.

PROJECT NAME:

TYPICAL DETAILS

SERVICE REQUEST DESCRIPTION:

**PIPING
BRACED CANTILEVER
STEEL**

DESIGNED BY:
AJV

REVIEWED BY:
ISE

DRAWN BY:
HAM

ISSUE DATE:
02 DEC 14

REVISIONS:

NO.	DESCRIPTION:	DATE:
A	ORIGINAL ISSUE	02 DEC 14

SERVICE REQUEST NUMBER:

TD-P-BC02-S

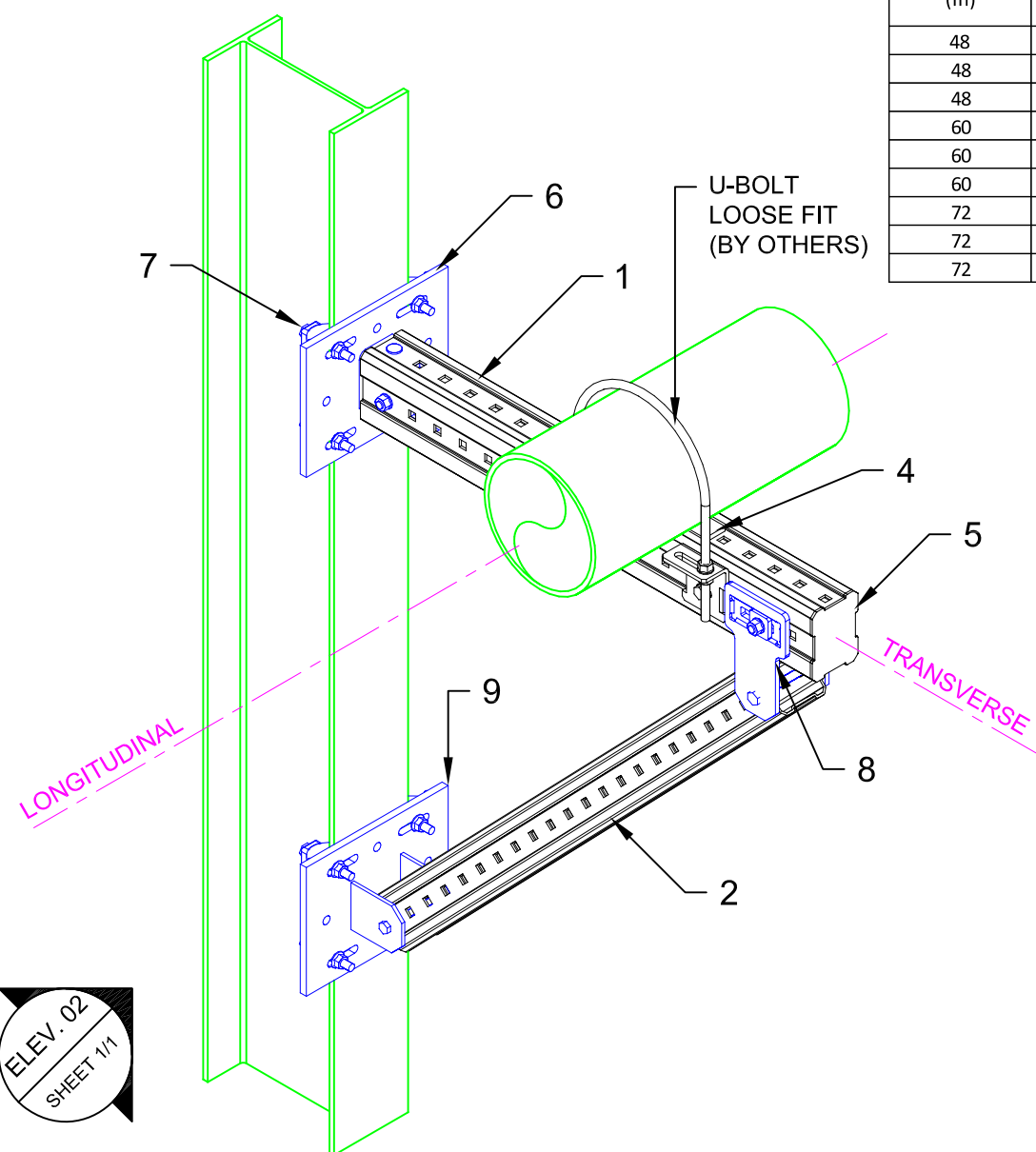
DRAWING NUMBER:

01

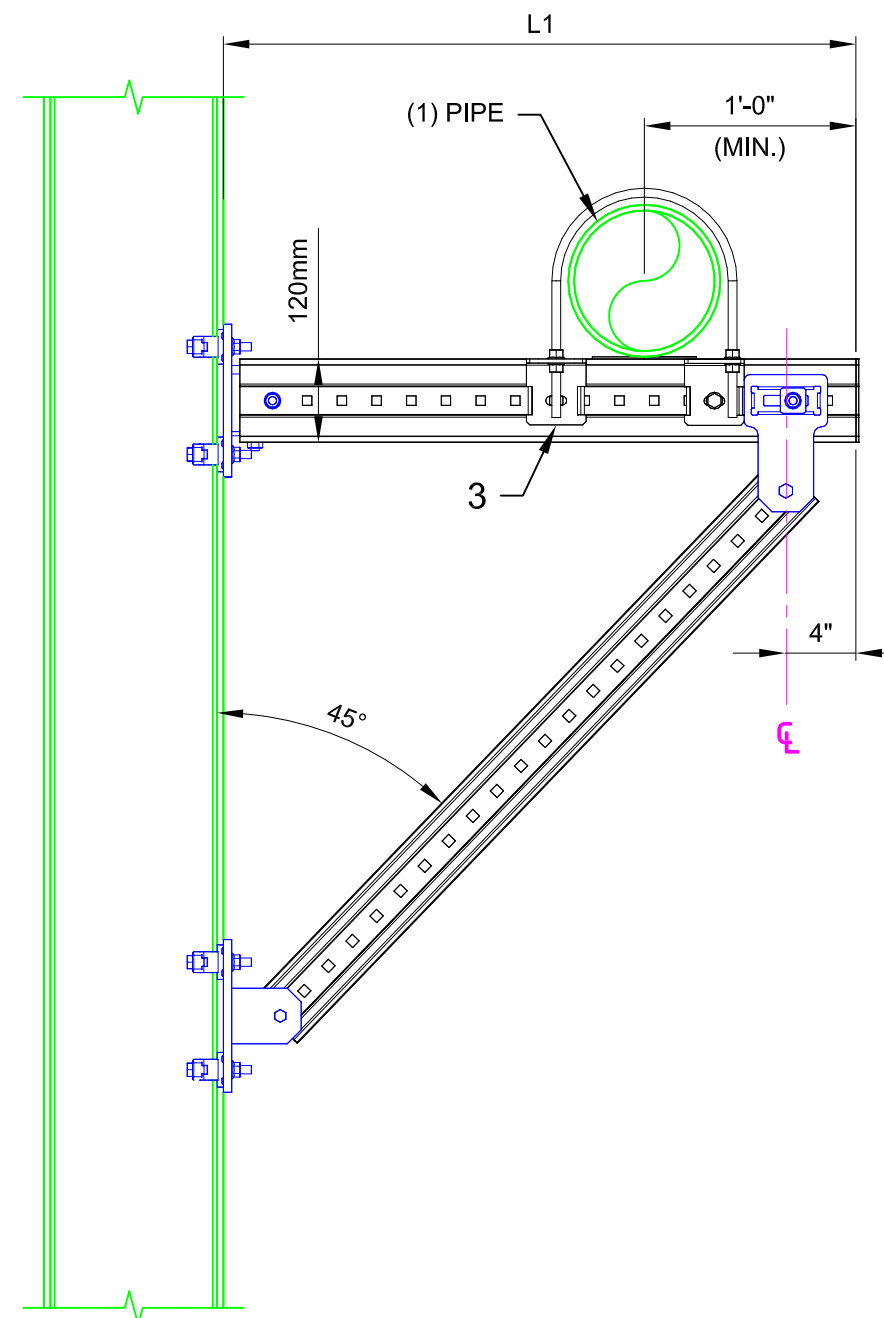
SHEET:

1/1

Maximum "L1" (in)	Allowable Vertical Load (lbs)	Allowable Transverse Load (lbs)	Allowable Longitudinal Load (lbs)
48	1500	0	0
48	1500	450	0
48	666	0	200
60	1428	0	0
60	1428	428	0
60	540	0	162
72	1392	0	0
72	1392	417	0
72	458	0	137



01 ISOMETRIC
N.T.S.



02 ELEVATION
N.T.S.

MIC-S120-X
Beam Width Table

X	'B' Width	Item No.
A	2.9 to 6.5	304818
B	6.5 to 9.2	304819
C	9.2 to 11.8	304820

MIC-SX-MA
Beam Width Table

X	'B' Width	Item No.
A	2.9 to 6.5	304815
B	6.5 to 9.2	304816
C	9.2 to 11.8	304817

No.	Unit Qty	Unit	Description	Box Qty	# Boxes Needed	Item No.
1	AS REQ'D	EA	GIRDER MI-120 3M	1	AS REQ'D	304800
2	AS REQ'D	EA	GIRDER MI-90 3M	1	AS REQ'D	304798
3	1	EA	CONNECTOR U-BOLT MIC-UB120-M16	6	1	304835
4	2	EA	CONNECTOR PIPE SHOE MIC-PG	10	1	304842
5	1	EA	GIRDER END CAP MIA-EC120	25	1	432078
6	1	EA	CONNECTOR MIC-S120-X STEEL (SEE TABLE)	2	1	VARIES
7	8	EA	BEAM CLAMP MI-SGC-M12	16	1	233859
8	1	EA	CONNECTOR MIC-U-MA	2	1	304806
9	1	EA	CONNECTOR MIC-SX-MA STEEL (SEE TABLE)	2	1	VARIES

NOTE(S):

- ALLOWABLE LOADS CONSIDER APPROPRIATE LOAD FACTORS AND LOAD COMBINATIONS PER APPLICABLE CODES AND STANDARDS.
- ALL LOADS ASSUMED TO ACT AT HORIZONTAL $\bar{\epsilon}$ OF PIPE(S) WHICH ARE SITTING DIRECTLY ON TOP OF MI GIRDER, U.N.O.
- VERTICAL LOAD APPLIED WITH ONE HORIZONTAL LOAD AT A TIME.