



All loading and design criteria supplied by customer is assumed accurate. Only the stated Design Assumptions were considered, and must be verified by the responsible Engineer of Record (EOR). The basis of Hilti component and connection design is the published data in the current Hilti Technical Guide, including material and cross-section properties, allowable load values, factors of safety, methods of calculation, and limiting factors. The EOR must verify suitability for any specific application, and the capacity of the supportive structure to receive the shown configuration and associated reaction loads. Modification to components and/or design may alter performance and must be evaluated by the EOR.

PROJECT NAME:  
  
**TYPICAL DETAILS**

SERVICE REQUEST DESCRIPTION:  
  
**PIPING CANTILEVER CONCRETE**

DESIGNED BY: AJV	REVIEWED BY: ISE
---------------------	---------------------

DRAWN BY: HAM	ISSUE DATE: 02 DEC 14
------------------	--------------------------

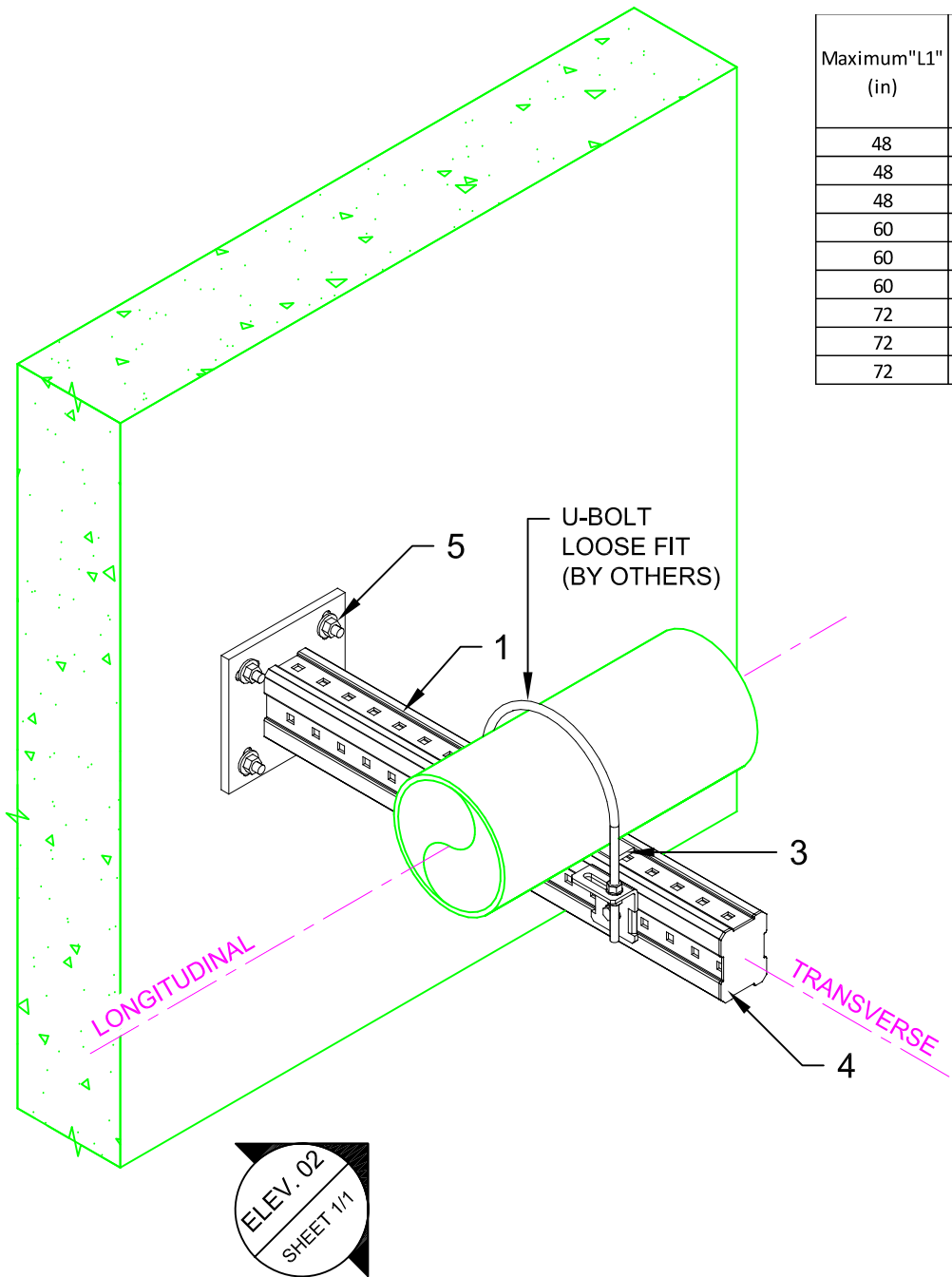
REVISIONS:

NO.	DESCRIPTION:	DATE:
A	ORIGINAL ISSUE	02 DEC 14

SERVICE REQUEST NUMBER:  
  
**TD-P-C05-C**

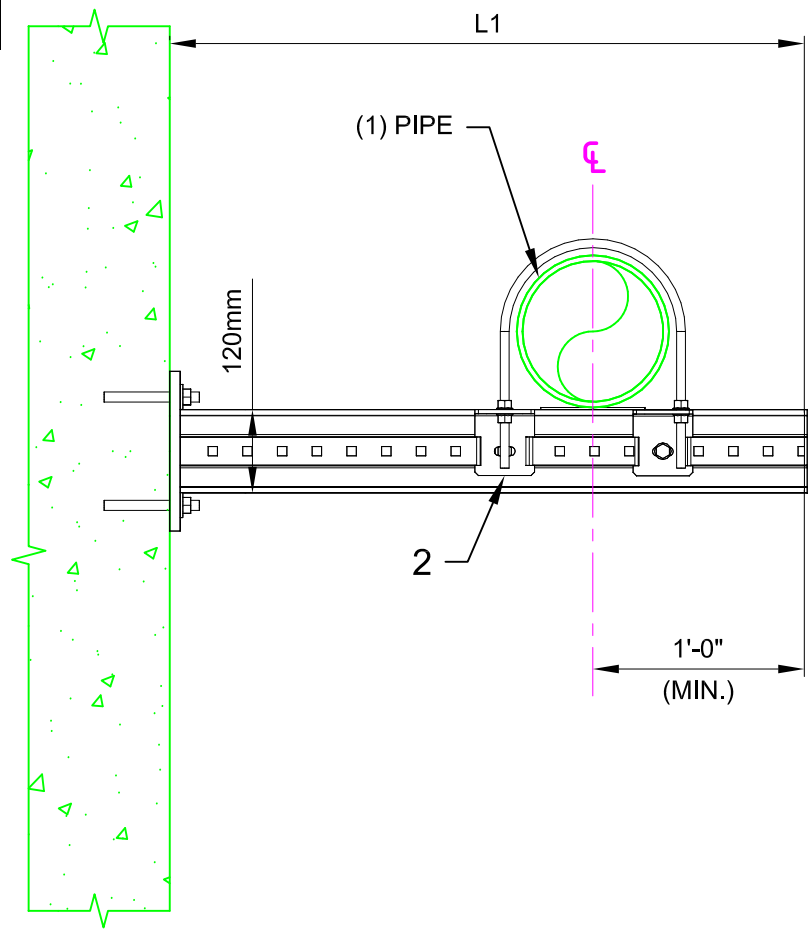
DRAWING NUMBER:  01	SHEET:  1/1
---------------------------	-------------------

Maximum "L1" (in)	Allowable Vertical Load (lbs)	Allowable Transverse Load (lbs)	Allowable Longitudinal Load (lbs)
48	641	0	0
48	641	192	0
48	583	0	175
60	464	0	0
60	464	139	0
60	416	0	125
72	357	0	0
72	357	107	0
72	333	0	100



ELEV. 02  
SHEET 1/1

**01 ISOMETRIC**  
N.T.S.



**02 ELEVATION**  
N.T.S.

No.	Unit Qty	Unit	Description	Box Qty	# Boxes Needed	Item No.
1	1	EA	CONNECTOR MIC-C120-D-2000 WELDED BRACKET	1	1	270472
2	1	EA	CONNECTOR U-BOLT MIC-UB90-M16	6	1	304834
3	1	EA	CONNECTOR PIPE SHOE MIC-PG	10	1	304842
4	1	EA	GIRDER END CAP MIA-EC120	25	1	432078
5	5	EA	USE KB3 OR KB-TZ AS APPROPRIATE	VARIES	VARIES	VARIES

**NOTE(S):**

- ALLOWABLE LOADS CONSIDER APPROPRIATE LOAD FACTORS AND LOAD COMBINATIONS PER APPLICABLE CODES AND STANDARDS.
- ALL LOADS ASSUMED TO ACT AT HORIZONTAL  $\phi$  OF PIPE(S) WHICH ARE SITTING DIRECTLY ON TOP OF MI GIRDER, U.N.O.
- VERTICAL LOAD APPLIED WITH ONE HORIZONTAL LOAD AT A TIME.