



All loading and design criteria supplied by customer is assumed accurate. Only the stated Design Assumptions were considered, and must be verified by the responsible Engineer of Record (EOR). The basis of Hilti component and connection design is the published data in the current Hilti Technical Guide, including material and cross-section properties, allowable load values, factors of safety, methods of calculation, and limiting factors. The EOR must verify suitability for any specific application, and the capacity of the supportive structure to receive the shown configuration and associated reaction loads. Modification to components and/or design may alter performance and must be evaluated by the EOR.

PROJECT NAME:
TYPICAL DETAILS

SERVICE REQUEST DESCRIPTION:
PIPING F-FRAME (MQ) CONCRETE

DESIGNED BY: AJV
REVIEWED BY: ISE

DRAWN BY: HAM
ISSUE DATE: 19 FEB 15

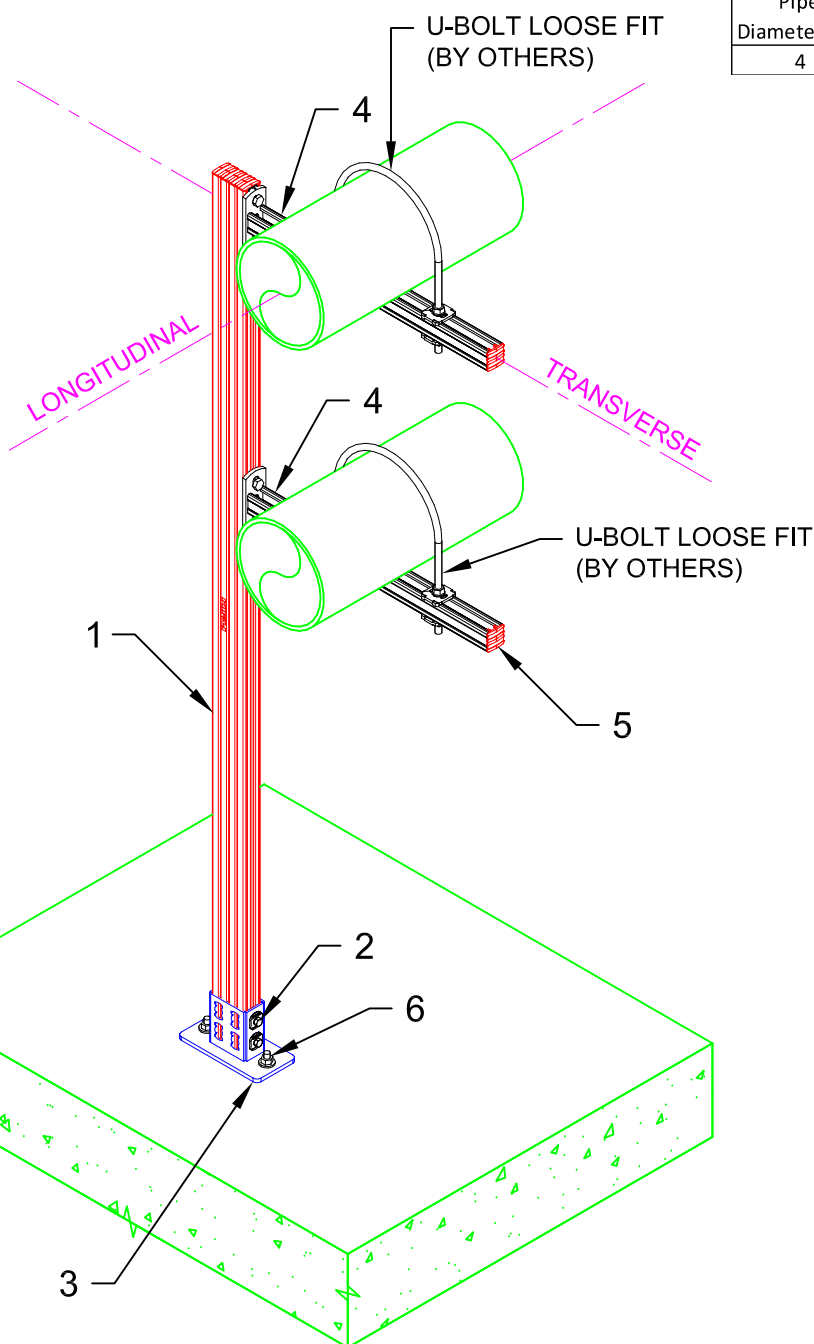
REVISIONS:

NO:	DESCRIPTION:	DATE:
A	ORIGINAL ISSUE	19 FEB 15

SERVICE REQUEST NUMBER:
TD-P-F16-C

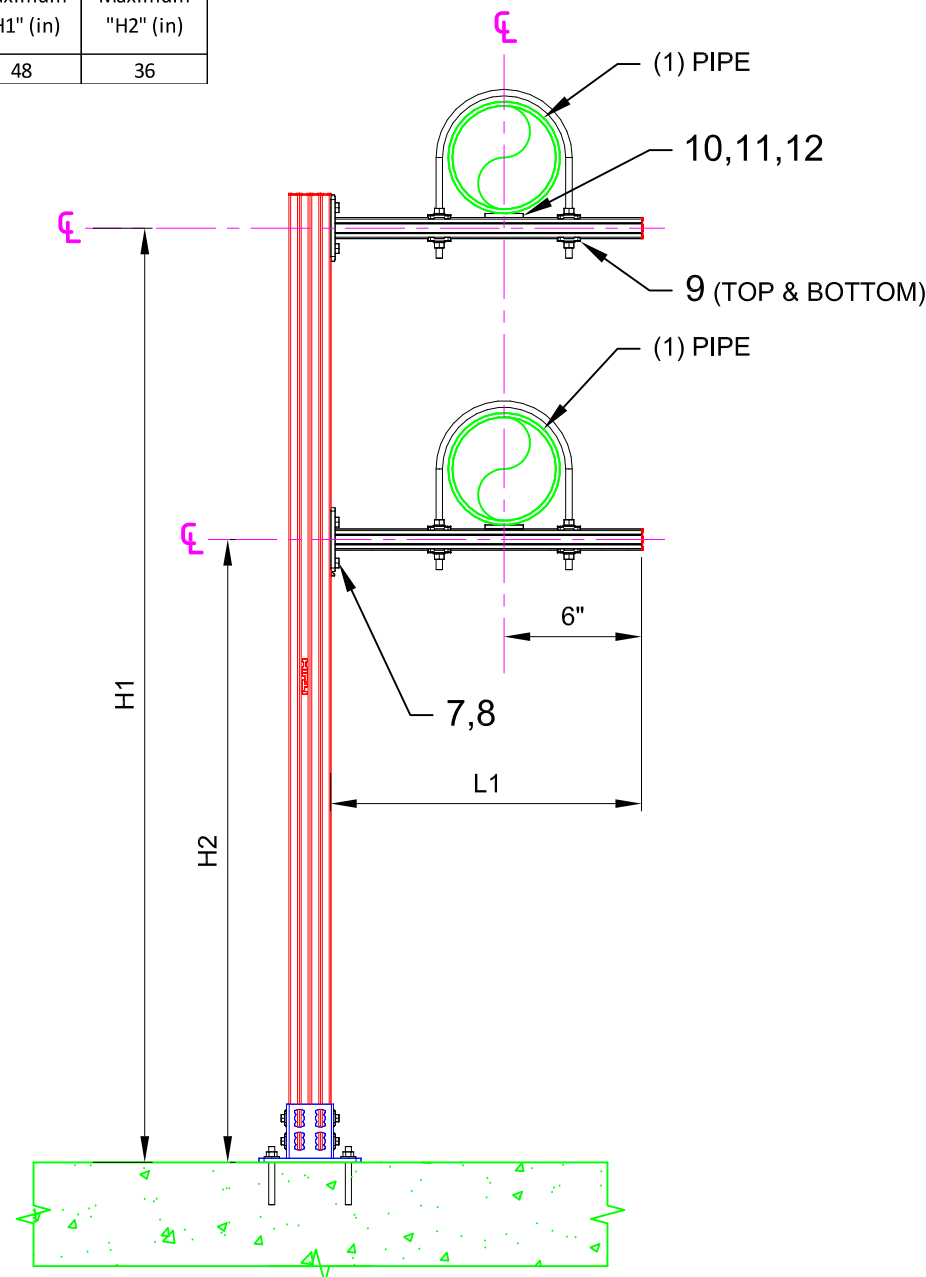
DRAWING NUMBER: 01
SHEET: 1/1

Maximum Pipe Diameter (in)	Allowable Vertical Load (lbs)	Maximum "L1" (in)	Maximum "H1" (in)	Maximum "H2" (in)
4	163	12	48	36



01 ISOMETRIC
N.T.S.

ELEV. 02
SHEET 1/1



02 ELEVATION
N.T.S.

No.	Unit Qty	Unit	Description	Box Qty	# Boxes Needed	Item No.
1	AS REQ'D	EA	STRUT HS-158-12/HDG 10' B2B	1	AS REQ'D	2007087
2	4	EA	CHANNEL CONNECTOR MQN-HDG PLUS	50	1	387779
3	1	EA	RAIL SUPPORT MQP-82-F	1	1	304166
4	2	EA	BRACKET MQK-41/600-F	1	2	304117
5	8	EA	CHANNEL END CAP MEK RED	50	1	244886
6	2	EA	USE KB3 OR KB-TZ AS APPROPRIATE	VARIABLES	VARIABLES	VARIABLES
7	4	EA	HEX HEAD BOLT 1/2" X 1" SS316	50	1	411790
8	4	EA	WING NUT MQM-F1/2"-F	25	1	304137
9	8	EA	BASE PLATE MQZ-L1/2"	20	1	370633
10	2	EA	CONNECTOR PIPE SHOE MIC-PG	10	1	304842
11	2	EA	3/8" CHANNEL NUT/NO SPRING 100/BOX	100	1	311937
12	2	EA	COUNTERSUNK BOLT 3/8 X 1	VARIABLES	VARIABLES	SPECIAL

NOTE(S):

- REFER TO TABLE FOR DIMENSIONAL LIMITATIONS BASED ON PIPE DIAMETER.
- ALLOWABLE LOADS CONSIDER APPROPRIATE LOAD FACTORS AND LOAD COMBINATIONS PER APPLICABLE CODES AND STANDARDS.
- ALL LOADS ASSUMED TO ACT AT HORIZONTAL ϵ OF PIPE(S) WHICH ARE SITTING DIRECTLY ON TOP OF HS STRUT, U.N.O.
- VERTICAL LOAD APPLIED WITH ONE HORIZONTAL LOAD AT A TIME.
- MAX. SUPPORT SPACING = 10'-0"
- ABOVE LOADING BASED ON SCH. 40 PIPE FILLED WITH WATER