

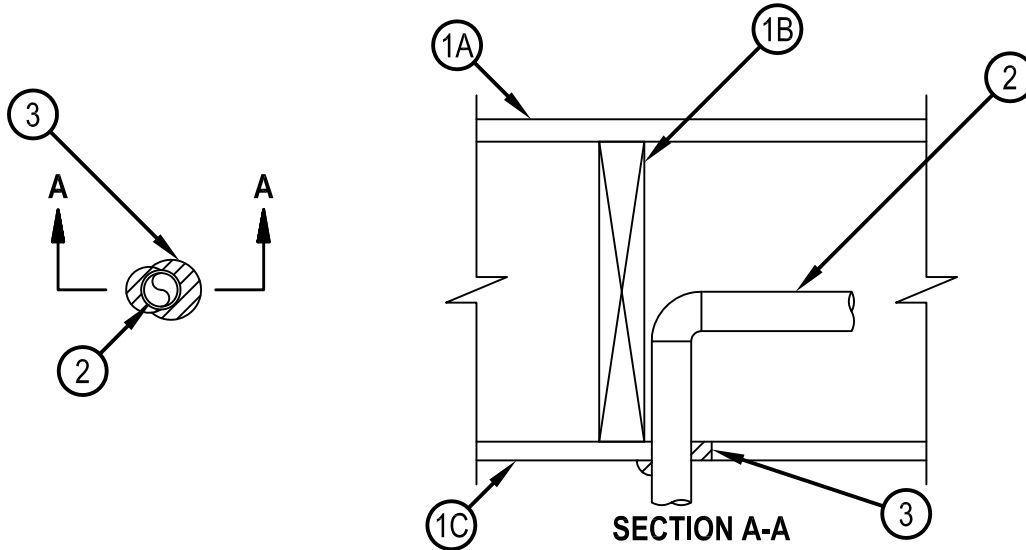


Classified by
Underwriters Laboratories, Inc.
to UL 1479 and CAN/ULC-S115

System No. F-C-1142

FC 1142

ANSI/UL1479 (ASTM E814)	CAN/ULC S115
F Rating — 1 Hr	F Rating — 1 Hr
T Rating — 1 Hr	FT Rating — 1 Hr
	FH Rating — 1 Hr
	FTH Rating — 1 Hr



System tested with a pressure differential of 2.5 Pa between the exposed and the unexposed surfaces with the higher pressure on the exposed side.

1. Floor-Ceiling Assembly — The 1 hr fire-rated wood joist floor-ceiling assembly shall be constructed of the materials and in the manner specified in the individual L500 Designs in the UL Fire Resistance Directory, as summarized below:
 - A. Flooring System — Lumber or plywood subfloor with finish floor of lumber, plywood or Floor Topping Mixture* as specified in the individual Floor-Ceiling Design.
 - B. Wood Joists — Nom 10 in. (254 mm) deep (or deeper) lumber, steel or combination lumber and steel joists, trusses or Structural Wood Members* with bridging as required and with ends firestopped.
 - C. Gypsum Board* — Nom 5/8 in. (16 mm) thick as specified in the individual Floor-Ceiling Design. Gypsum board secured to joists as specified in the individual Floor-Ceiling Design. Max diam of opening is 2 in. (51 mm).
- 1.1 Chase Wall — (Optional, not Shown) — The through penetrants (Item No. 2) may be routed through a fire-rated single, double or staggered wood stud/gypsum wall board chase wall having a fire rating consistent with that of the floor-ceiling assembly. The chase wall shall be constructed of the materials and in the manner specified in the individual U300 Series Wall and Partition Designs in the UL Fire Resistance Directory and shall include the following construction features:
 - A. Studs — Nom 2 by 6 in. (51 by 152 mm) or double nom 2 by 4 in. (51 by 102 mm) lumber studs.
 - B. Sole Plate — Nom 2 by 6 in. (51 by 152 mm) or parallel nom 2 by 4 in. (51 by 102 mm) lumber plates, tightly butted. Max diam of opening is 2 in. (51 mm).
 - C. Top Plate — The double top plate shall consist of two nom 2 by 6 in. (51 by 152 mm) or two sets of parallel 2 by 4 in. (51 by 102 mm) lumber plates, tightly butted. Max diam of opening is 2 in. (51 mm).
 - D. Gypsum Board* — Thickness, type, number of layers and fasteners shall be as specified in individual Wall and Partition Design.



Hilti Firestop Systems

Reproduced by HILTI, Inc. Courtesy of
Underwriters Laboratories, Inc.
January 15, 2015



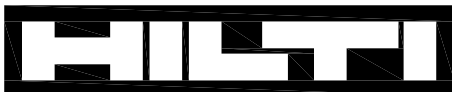
Classified by
Underwriters Laboratories, Inc.
to UL 1479 and CAN/ULC-S115

System No. F-C-1142

FC 1142

2. Through Penetrants — One metallic pipe installed within floor cavity and penetrating floor assembly on ceiling side only. Penetrant to be installed concentrically or eccentrically within the firestop system. The annular space between the penetrant and the periphery of the opening in the gypsum board shall be min 0 in. (point contact) to max 7/8 in. (22 mm). Pipe to be rigidly supported on ceiling side of floor-ceiling assembly. The following types and sizes of metallic pipes may be used:
- A. Steel Pipe — Nom 1 in. (25 mm) diam (or smaller) Schedule 5 (or heavier) steel pipe.
 - B. Iron Pipe — Nom 1 in. (25 mm) diam (or smaller) cast or ductile iron pipe.
 - C. Conduit — Nom 1 in. (25 mm) diam (or smaller) steel conduit or steel electrical metallic tubing.
 - D. Copper Tubing — Nom 1 in. (25 mm) diam (or smaller) Type L (or heavier) copper tubing.
 - E. Copper Pipe — Nom 1 in. (25 mm) diam (or smaller) Regular (or heavier) copper pipe.
3. Firestop System — The firestop system shall consist of the following:
- A. Fill, Void or Cavity Material* - Sealant — Min 5/8 in. (16 mm) thickness of fill material applied within annulus, flush with bottom surface of ceiling or lower top plate. At point contact location, a min 1/2 in. (13 mm) diam bead of fill material shall be applied at the penetrant/gypsum board interface.
HILTI CONSTRUCTION CHEMICALS, DIV OF HILTI INC — FS-ONE Sealant or FS-ONE MAX Intumescent Sealant.

* Indicates such products shall bear the UL or cUL Certification Mark for jurisdictions employing the UL or cUL Certification (such as Canada), respectively.



Hilti Firestop Systems

Reproduced by HILTI, Inc. Courtesy of
Underwriters Laboratories, Inc.
January 15, 2015

Page: 2 of 2