

PLASTIC PIPE THROUGH CONCRETE FLOOR ASSEMBLY

F-RATING = 2-HR.

FT-RATING = 1/4-HR. OR 2-HR. (SEE TABLE BELOW)

FH-RATING = 2-HR.

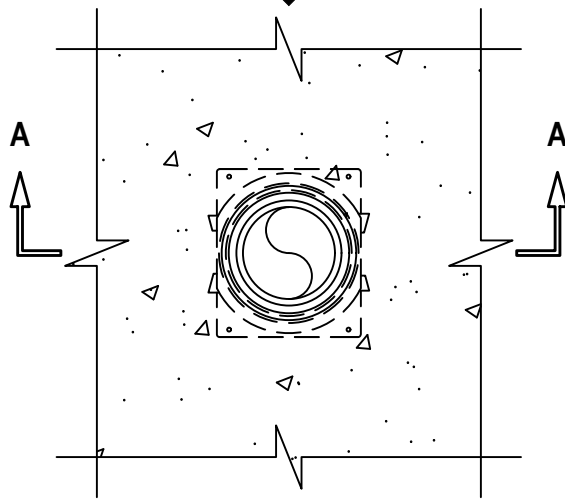
FTH-RATING = 1/4-HR. OR 2-HR. (SEE TABLE BELOW)

L-RATING AT AMBIENT = LESS THAN 1 CFM / SQ FT

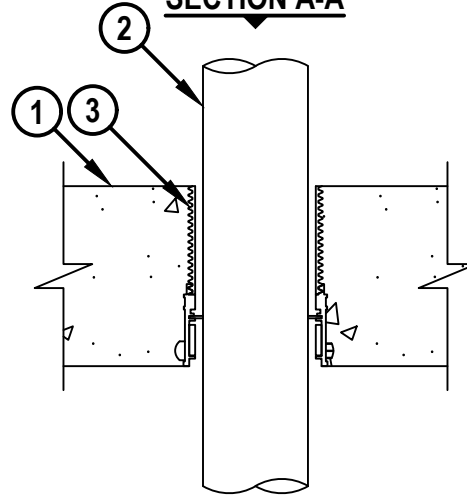
L-RATING AT 400°F - LESS THAN 1 CFM / SQ FT

NOTE : TESTED WITH A 50 Pa PRESSURE DIFFERENTIAL

TOP VIEW



SECTION A-A



cUL FA2240f.121922



HILTI, Inc.
Plano, Texas USA (800) 879-8000

Sheet	1 of 2
Scale	5/32" = 1"
Date	Dec. 19, 2022

Drawing No.
cUL
FA2240f

PLASTIC PIPE THROUGH CONCRETE FLOOR ASSEMBLY

F-RATING = 2-HR.

FT-RATING = 1/4-HR. OR 2-HR. (SEE TABLE BELOW)

FH-RATING = 2-HR.

FTH-RATING = 1/4-HR. OR 2-HR. (SEE TABLE BELOW)

L-RATING AT AMBIENT = LESS THAN 1 CFM / SQ FT

L-RATING AT 400°F - LESS THAN 1 CFM / SQ FT

NOTE : TESTED WITH A 50 Pa PRESSURE DIFFERENTIAL

cUL FA2240f.121922

1. CONCRETE FLOOR ASSEMBLY (2-HR. FIRE-RATING) :
 - A. LIGHTWEIGHT OR NORMAL WEIGHT CONCRETE FLOOR (MINIMUM 4-1/2" THICK).
 - B. STEEL FLOOR UNIT/FLOOR ASSEMBLY - LIGHTWEIGHT OR NORMAL WEIGHT CONCRETE FLOOR (MINIMUM 4-1/2" THICK) OVER METAL DECKING (MAXIMUM 3" FLUTES).
2. PENETRATING ITEM TO BE ONE OF THE FOLLOWING (SEE TABLE BELOW) :
 - A. MAXIMUM 6" NOMINAL DIAMETER XFR-PVC PLASTIC PIPE (SCHEDULE 40) (CLOSED OR VENTED PIPING SYSTEM).
 - B. MAXIMUM 6" NOMINAL DIAMETER NAPSYS-HR PVC PLASTIC PIPE (SCHEDULE 40) (CLOSED OR VENTED PIPING SYSTEM).
3. HILTI CP 680-P [4" OR 6"] OR CP 680-PX [2" OR 3"] CAST-IN FIRESTOP DEVICE CAST OR GROUTED INTO CONCRETE FLOOR (SEE TABLE BELOW).

NOMINAL PENETRANT DIAMETER	FIRESTOP DEVICE	F AND FH RATING, HR.	FT AND FTH RATING, HR.
1-1/2" (ITEM 2A)	CP 680-PX 2"	2	1/4
2" (ITEM 2A, 2B)	CP 680-PX 2"	2	2
3" (ITEM 2A)	CP 680-PX 3"	2	2
3" (ITEM 2B)	CP 680-PX 3"	2	1/4
4" (ITEM 2A)	CP 680-P 4"	2	1/4
4" (ITEM 2B)	CP 680-P 4"	2	2
6" (ITEM 2A, 2B)	CP 680-P 6"	2	2

NOTES : 1. L-RATING APPLIES ONLY WHEN NOMINAL DIAMETER OF PIPE EQUALS SIZE OF DEVICE (2" PIPE IN 2" DEVICE, ETC.).
 2. FOR CONCRETE FLOOR OVER METAL DECKING APPLICATIONS, A METAL DECK ADAPTER KIT IS REQUIRED.

 Hilti Firestop Systems	HILTI, Inc. Plano, Texas USA (800) 879-8000	Sheet 2 of 2	Drawing No. cUL FA2240f
		Scale -	
		Date Dec. 19, 2022	
<i>Saving Lives through Innovation and Education</i>			