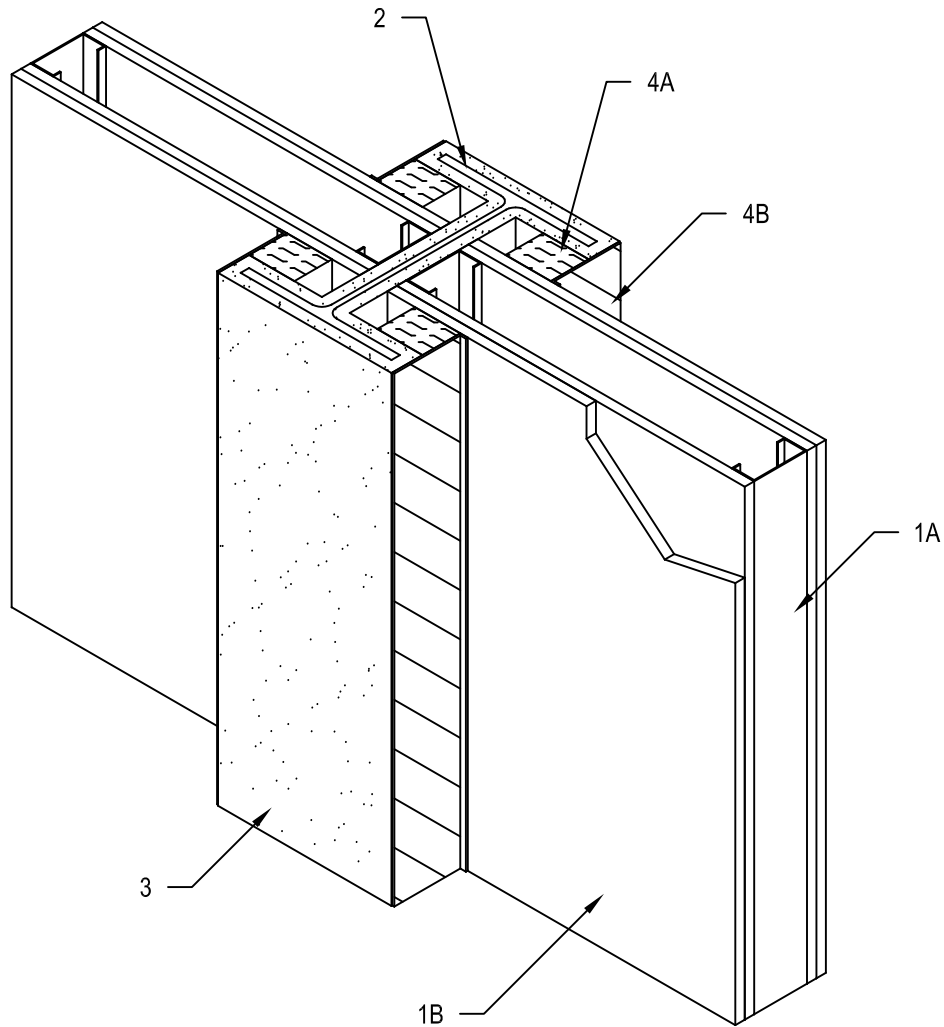


Design Number HI/JF 120-02
Non-Load Bearing Vertical Joint System
Hilti Corporation
CFS-SP WB Firestop Joint Spray
ASTM E 1966
Rating: 2 Hours, 1 Hour
Cycling: None
Superimposed Load: None

HI/JF 120-02



Hilti Firestop Systems

Reproduced by HILTI, Inc.
Courtesy of Intertek Group
June 04, 2015



Design Number HI/JF 120-02
Non-Load Bearing Vertical Joint System
Hilti Corporation
CFS-SP WB Firestop Joint Spray
ASTM E 1966
Rating: 2 Hours, 1 Hour
Cycling: None
Superimposed Load: None

1. GYPSUM WALL ASSEMBLY: Construct 2 hour or 1 hour rated gypsum wall assembly containing the following elements:
 - A. STEEL STUDS: Install min. 3-5/8 in. deep, 25 GA galvanized steel studs spaced max. 24 in. on center (oc) and floated between 3-5/8 in. deep 25 GA top and bottom track (not shown).
 - B. GYPSUM BOARD: Install two layers of 5/8 in. Type-X gypsum board for the 2 hour wall assembly or one layer of 5/8 in. Type X gypsum for the 1 hour wall assembly to both sides of wall assembly installed with the long dimension parallel to the steel studs (Item 1A). Secure base layer for the 2 hour wall assembly to steel studs (Item 1A) using 1 in. long Type S self-drilling screws spaced 16 in. oc around the perimeter and 16 in. oc in the field. Install face layer with joints offset 24 in. from the base layer and secured using 1 5/8 in. long Type S self-drilling screws spaced 16 in. oc around the perimeter and 16 oc in the field, staggered 8 in. from the base layer fasteners. For the 1 hour assembly, secure gypsum board to steel studs (Item 1A) using 1 in. Type S self-drilling screws spaced 16 in. oc around the perimeter and 16 in. oc in the field.
 - C. JOINT TAPE AND COMPOUND (Not shown): Apply a level 2 finish of vinyl or casein, dry or premixed joint compound as follows. Apply to gypsum board (Item 1B) in two coats to all exposed fastener heads and gypsum board joints. Embed min. 2 in. wide paper, plastic, or fiberglass tape in first layer of compound over joints in gypsum board (Item 1B).
2. COLUMN: Install min. 8 in. (width and depth) W Shape HSS structural steel column in accordance with the applicable building code requirements. Install W shape HSS column centered with web against the gypsum wall assembly.
3. FIREPROOF COATING: Apply Isolatek Cafco 300 or Grace Construction Products Monokote MK-6s® Fireproofing to the column per the manufacturer's installation instructions to maintain a min. 2 hour fire resistance rating.
4. FIRE RESISTIVE JOINT SYSTEM: Install fire resistive joint system between the face of the gypsum wall assembly (Item 1) and column (Item 2) containing the following elements. Maintain max. joint width of 2-1/2 in.
 - A. PACKING MATERIAL: Install 4 pcf density mineral fiber insulation bearing the Intertek Certification Mark to a min. 3 in. depth, compressed min. 50% in the joint opening flush with edge of fireproofing
 - B. CERTIFIED COMPANY:
 - Hilti Corporation
 - CERTIFIED PRODUCT:
 - Fire Resistant Joint Sealants
 - MODEL: Firestop Joint Spray CFS-SP WB
 - Fill, Void, or Cavity Material: Apply min. 1/8 in. (wet film thickness) thick layer of fill material over fire resistive joint system ensuring min. 2 in. overlap onto fireproof coating (Item 3) and min. 1/2 in. onto face of gypsum wall assembly (Item 1).



Reproduced by HILTI, Inc.
Courtesy of Intertek Group
June 04, 2015

