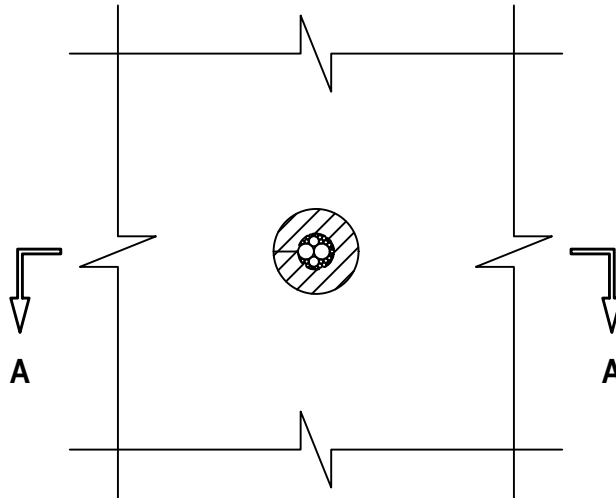


UL/cUL SYSTEM NO. F-C-3110  
**CABLE BUNDLE THROUGH WOOD FLOOR/CEILING ASSEMBLY**

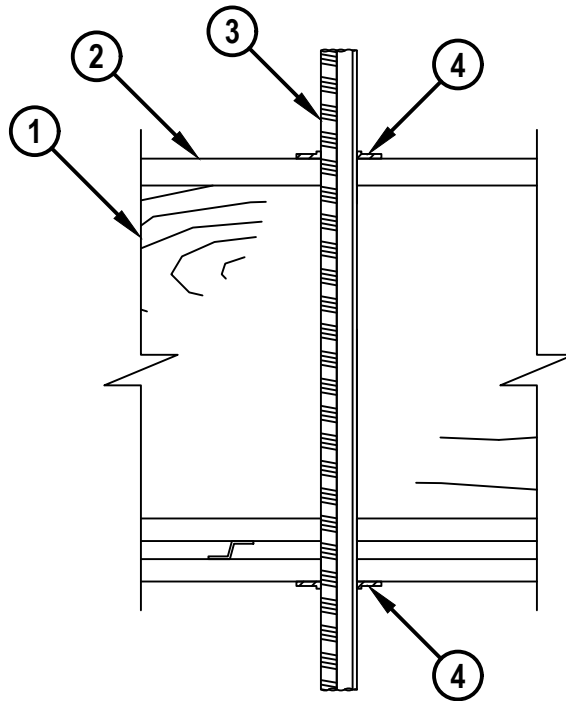
F-RATING = 1-HR. OR 2-HR.  
T-RATING = 1-HR. OR 2-HR.  
L-RATING AT AMBIENT = LESS THAN 1 CFM / OPENING  
L-RATING AT 400°F = LESS THAN 1 CFM / OPENING

FC3110c.082820

**BOTTOM VIEW**



**SECTION A-A**



HILTI, Inc.  
Plano, Texas USA (800) 879-8000

Sheet	1 of 2
Scale	3/16" = 1"
Date	Aug. 28, 2020

Drawing No.  
**FC  
3110c**

*Saving Lives through Innovation and Education*

UL/cUL SYSTEM NO. F-C-3110

**CABLE BUNDLE THROUGH WOOD FLOOR/CEILING ASSEMBLY**

F-RATING = 1-HR. OR 2-HR.

T-RATING = 1-HR. OR 2-HR.

L-RATING AT AMBIENT = LESS THAN 1 CFM / OPENING

L-RATING AT 400°F = LESS THAN 1 CFM / OPENING

FC3110c.082820

1. WOOD FLOOR/CEILING ASSEMBLY (UL/cUL CLASSIFIED L500 SERIES) (1-HR. OR 2-HR. FIRE-RATING) (2-HR. SHOWN).
2. LUMBER OR PLYWOOD SUBFLOOR WITH FINISH FLOOR OF LUMBER, PLYWOOD, OR FLOOR TOPPING MIXTURE.
3. SINGLE OR TIGHT BUNDLE TO BE A COMBINATION OF ANY OF THE FOLLOWING :
  - A. MAXIMUM 3/C NO. 8 AWG NM COPPER CONDUCTOR (ROMEX) CABLE WITH PVC INSULATION AND JACKET.
  - B. MAXIMUM 7/C NO. 12 AWG COPPER CONDUCTOR CONTROL CABLE WITH PVC OR XLPE JACKET AND INSULATION.
  - C. MAXIMUM 100 PAIR NO. 24 AWG COPPER CONDUCTOR TELECOMMUNICATION CABLE WITH PVC OR PLENUM RATED INSULATION AND JACKETING.
  - D. MAXIMUM 4 PAIR NO. 22 AWG CAT 5 OR 6 COMPUTER CABLE WITH PVC OR PLENUM RATED INSULATION AND JACKETING.
  - E. MAXIMUM RG 6/U COAXIAL CABLE WITH FLUORINATED ETHYLENE OR PVC INSULATION AND JACKETING (MAXIMUM 1/2" DIAMETER).
  - F. MAXIMUM 24 FIBER-OPTIC CABLE WITH PVC OR PE JACKET AND INSULATION.
  - G. MAXIMUM 2/C NO. 18 AWG COPPER CONDUCTOR FIRE ALARM CABLE WITH OR WITHOUT A JACKET UNDER A METAL ARMOR (AFC CABLE SYSTEMS, INC).
  - H. MAXIMUM 3/C NO. 10 AWG COPPER CONDUCTOR METAL CLAD CABLE.
4. HILTI CFS-D 1" FIRESTOP PUTTY DISC PRESSED FIRMLY AROUND THE CABLE/CABLE BUNDLE LAPPING NOMINAL 5mm ONTO CABLES COMPLETELY COVERING OPENING AND FIRMLY PRESSED TO LAP ONTO THE FLOOR AND CEILING (OR PLATES). DISC SEAM TO BE FIRMLY PRESSED AND SEALED TIGHT.

NOTES: 1. OPENING MAY BE ROUND, RECTANGULAR, OR IRREGULAR WITH A MAXIMUM DIAMETER OF DIMENSION OF 1".  
2. ANNULAR SPACE BETWEEN CABLES AND PERIPHERY OF OPENING = MINIMUM 0".  
3. CHASE WALL [NOT SHOWN - OPTIONAL] - THE THROUGH PENETRANT MAY BE ROUTED THROUGH A NON-RATED OR RATED GYPSUM CHASE WALL.



Hilti Firestop Systems

HILTI, Inc.  
Plano, Texas USA (800) 879-8000

Sheet	2 of 2
Scale	-
Date	Aug. 28, 2020

Drawing No.

**FC  
3110c**

*Saving Lives through Innovation and Education*