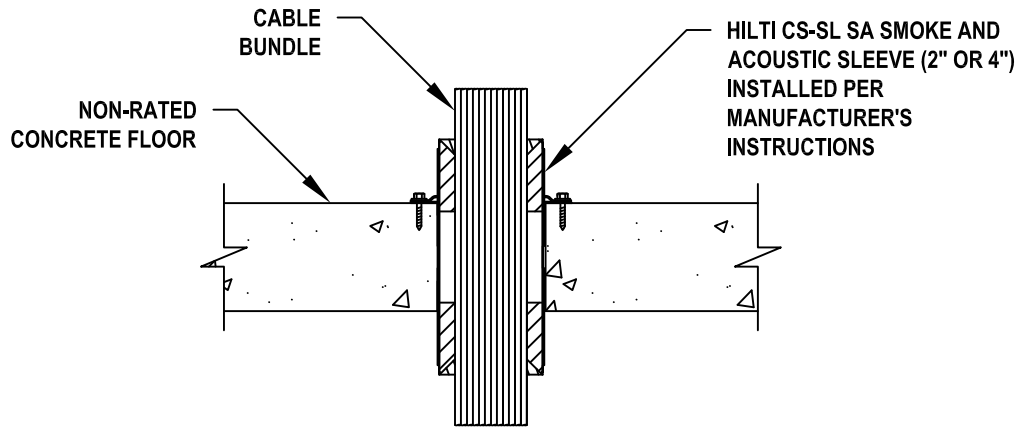
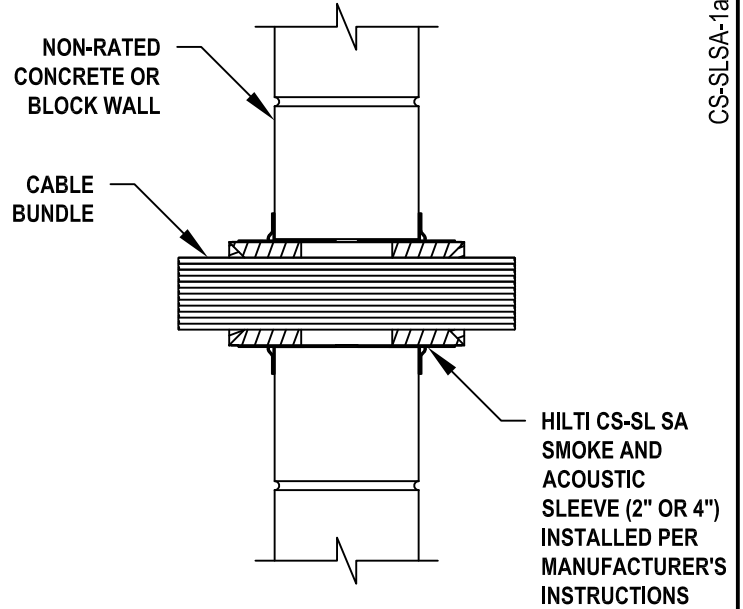
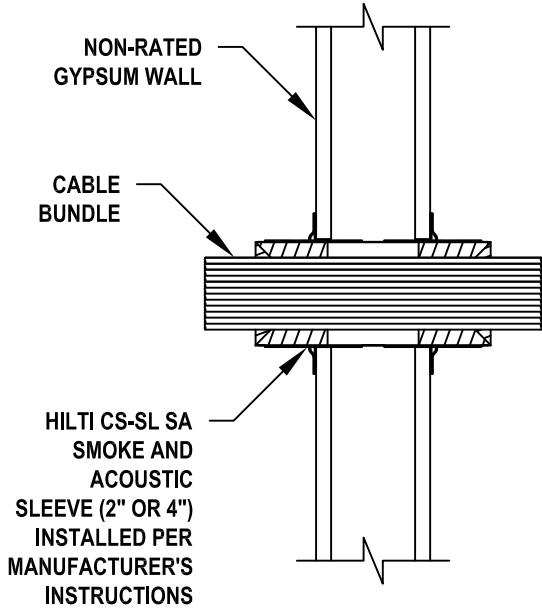


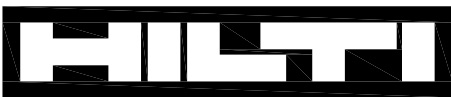
THROUGH PENETRATION DETAIL FOR NON FIRE-RATED SMOKE PARTITIONS (EXAMPLES)

CS-SLSA-1a.091415



LIMITATIONS :

- HILTI CS-SL SA SMOKE AND ACOUSTIC SLEEVE MAY BE INSTALLED WHERE IT IS NECESSARY TO RESTRICT SMOKE MIGRATION THROUGH NON FIRE-RATED ASSEMBLIES.
- NOT FOR FIRE-RATED ASSEMBLIES.
- REFER TO PRODUCT LITERATURE FOR COMPLETE DETAILS ON INSTALLATION, SUITABLE APPLICATIONS, AND LIMITATIONS.
- FOR APPLICATIONS THAT DO NOT MEET THE CONDITIONS ABOVE, CONTACT HILTI TECHNICAL SUPPORT.
- THESE DETAILS REPRESENT GENERAL INSTALLATION GUIDELINES TO SATISFY SMOKE PARTITION SEALING REQUIREMENTS OF THE INTERNATIONAL BUILDING CODE (2006, 2009, 2012, OR 2015 IBC). OBTAIN AUTHORITY HAVING JURISDICTION APPROVAL PRIOR TO INSTALLATION.



HILTI, Inc.
Plano, Texas USA (800) 879-8000

Sheet	1 of 1
Scale	1/8" = 1"
Date	Sep. 14, 2015

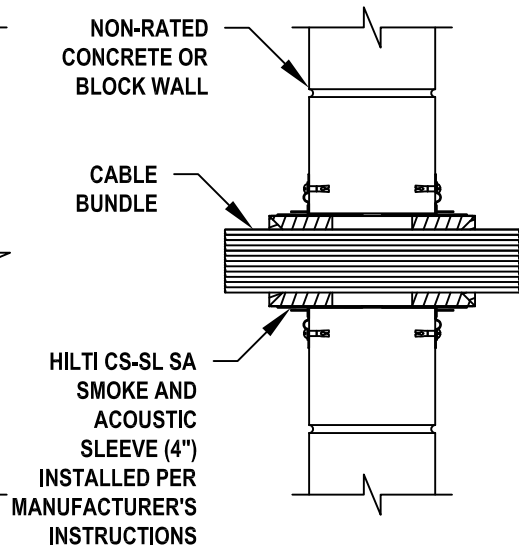
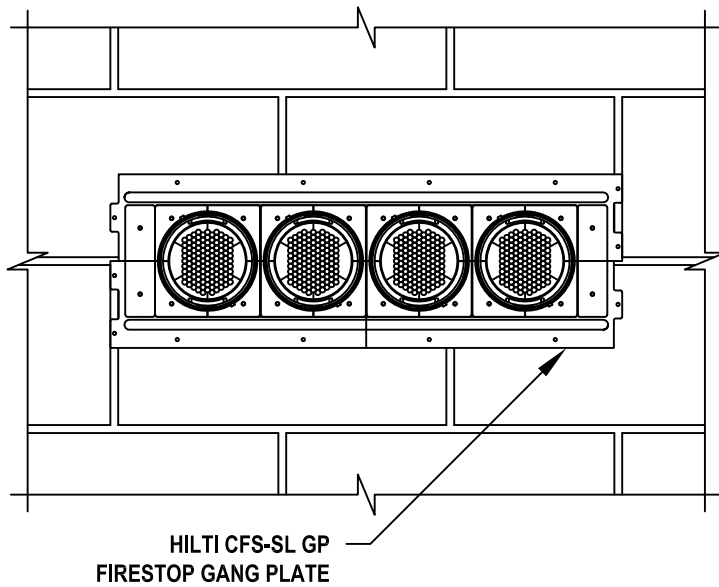
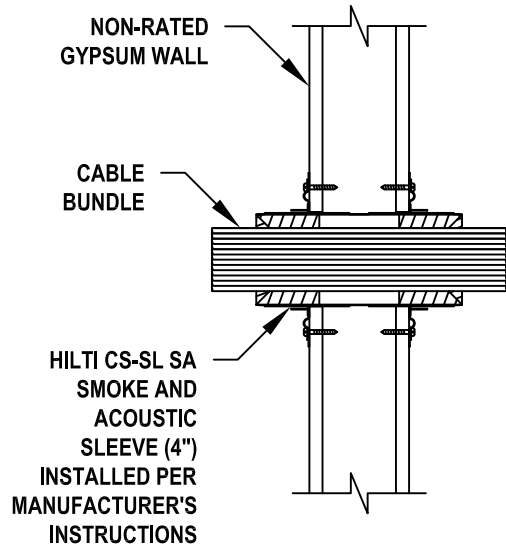
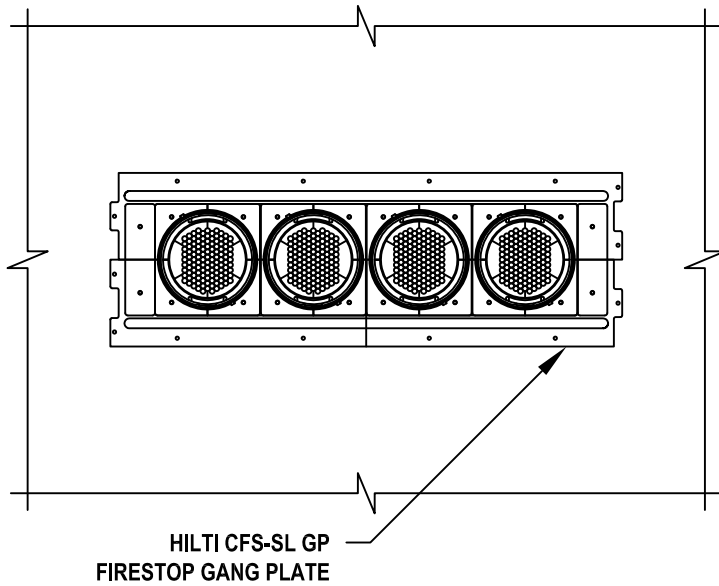
Drawing No.

CS-SLSA-1a

Saving Lives through Innovation and Education

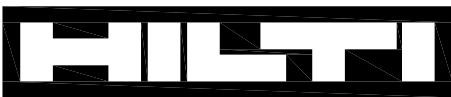
THROUGH PENETRATION DETAIL FOR NON FIRE-RATED SMOKE PARTITIONS (EXAMPLES)

CS-SLSA-2a.091415



LIMITATIONS :

- HILTI CS-SL SA SMOKE AND ACOUSTIC SLEEVE MAY BE INSTALLED WHERE IT IS NECESSARY TO RESTRICT SMOKE MIGRATION THROUGH NON FIRE-RATED ASSEMBLIES.
- NOT FOR FIRE-RATED ASSEMBLIES.
- REFER TO PRODUCT LITERATURE FOR COMPLETE DETAILS ON INSTALLATION, SUITABLE APPLICATIONS, AND LIMITATIONS.
- FOR APPLICATIONS THAT DO NOT MEET THE CONDITIONS ABOVE, CONTACT HILTI TECHNICAL SUPPORT.
- THESE DETAILS REPRESENT GENERAL INSTALLATION GUIDELINES TO SATISFY SMOKE PARTITION SEALING REQUIREMENTS OF THE INTERNATIONAL BUILDING CODE (2006, 2009, 2012, OR 2015 IBC). OBTAIN AUTHORITY HAVING JURISDICTION APPROVAL PRIOR TO INSTALLATION.



HILTI, Inc.
Plano, Texas USA (800) 879-8000

Sheet	1 of 1
Scale	7/64" = 1"
Date	Sep. 14, 2015

Drawing No.

CS-SLSA-2a

Saving Lives through Innovation and Education