

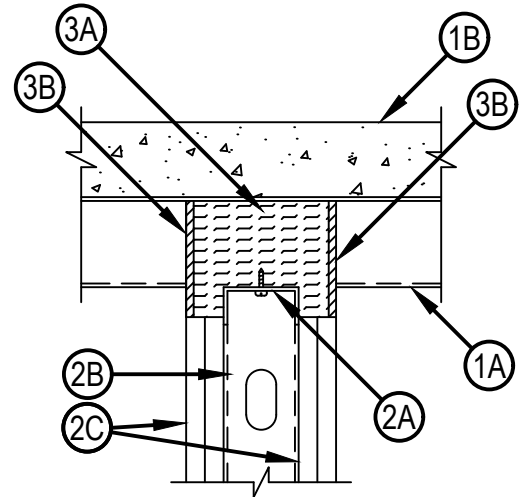
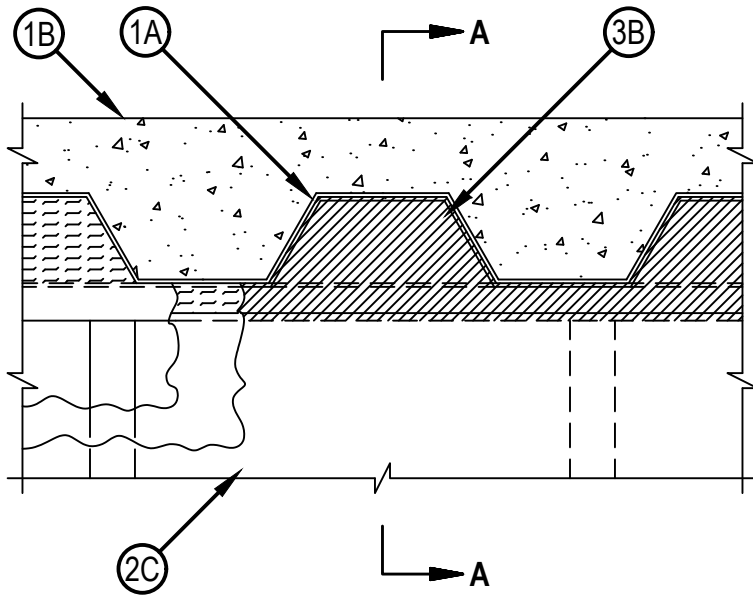


Classified by  
Underwriters Laboratories, Inc.  
to UL 2079 and CAN/ULC-S115

# System No. HW-D-0154

HWD 0154

ANSI/UL2079	CAN/ULC S115
Assembly Ratings — 1 and 2 Hr (See Item 2)	F Ratings — 1 and 2 Hr (See Item 2)
Nominal Joint Width - 3/4 In.	FT Ratings — 1 and 2 Hr (See Item 2)
Class II Movement Capabilities — 17% Compression or Extension	FH Ratings — 1 and 2 Hr (See Item 2)
L Rating At Ambient — Less Than 1 CFM/lin ft	FTH Ratings — 1 and 2 Hr (See Item 2)
L Rating At 400 F — Less Than 1 CFM/lin ft	Nominal Joint Width - 3/4 In.
	Class II Movement Capabilities — 17% Compression or Extension
	L Rating At Ambient — Less Than 1 CFM/lin ft
	L Rating At 400 F — Less Than 1 CFM/lin ft



**SECTION A-A**



Reproduced by HILTI, Inc. Courtesy of  
Underwriters Laboratories, Inc.  
June 26, 2023

1. Floor Assembly — The fire-rated fluted steel floor unit/concrete floor assembly shall be constructed of the materials and in the manner described in the individual Floor-Ceiling Design in the Fire Resistance Directory and shall include the following construction features:
  - A. Steel Floor and Form Units\* — Max 3 in. (76 mm) deep galv steel fluted floor units.
  - B. Concrete — Min 2-1/2 in. (64 mm) thick reinforced concrete, as measured from the top plane of the floor units.
- 1A. Roof Assembly — (Not Shown) — As an alternate to the floor assembly, a fire rated fluted steel deck roof assembly may be used. The roof assembly shall be constructed of the materials and in the manner described in the individual P900 Series Roof-Ceiling Design in the UL Fire Resistance Directory. The hourly rating of the roof assembly shall be equal to or greater than the hourly rating of the wall assembly. The roof assembly shall include the following construction features:
  - A. Steel Roof Deck — Max 3 in. (76 mm) deep galv steel fluted roof deck.
  - B. Roof Insulation — Min 2-1/4 in. (57 mm) thick poured insulating concrete, as measured from the top plane of the floor units.
2. Wall Assembly — The 1 or 2 h fire-rated gypsum board/stud wall assembly shall be constructed of the materials and in the manner specified in the individual U400, V400 or W400 Series Wall and Partition Design in the UL Fire Resistance Directory and shall include the following construction features:
  - A. Steel Floor and Ceiling Runners — Floor and ceiling runners of wall assembly shall consist of min No. 25 gauge galv steel channels sized to accommodate steel studs (Item 2B). Flange height of ceiling runner shall be min 1/4 in. (6 mm) greater than max extended joint width. Ceiling runner installed perpendicular to direction of fluted steel deck and secured to valleys with steel masonry anchors, steel fasteners or by welds spaced 24 in. (610 mm) OC.
  - A1. Light Gauge Framing\* — Slotted Ceiling Runner — As an alternate to the ceiling runner in (Item 2A), slotted ceiling runner to consist of galv steel channel with slotted flanges sized to accommodate steel studs (Item 2B). Slotted ceiling runner installed perpendicular to direction of fluted steel deck and secured to valleys with steel masonry anchors or steel fasteners spaced max 24 in. (610 mm) OC.  
BRADY CONSTRUCTION INNOVATIONS INC, DBA SLIPTRACK SYSTEMS — SLP-TRK  
CEMCO, LLC — CST  
CLARKDIETRICH BUILDING SYSTEMS — Type SLT, SLT-H  
MARINO/WARE, DIV OF WARE INDUSTRIES INC — Type SLT  
RAM SALES L L C — RAM Slotted Track  
SCAFCO STEEL STUD MANUFACTURING CO  
TELLING INDUSTRIES L L C — True-Action Deflection Track
  - A2. Light Gauge Framing\* — Vertical Deflection Ceiling Runner — As an alternate to the ceiling runner in (Items 2A and 2A1), vertical deflection ceiling runner to consist of galv steel channel with slotted vertical deflection clips mechanically fastened within runner. Slotted clips provided with step bushings for permanent fastening of steel studs. Flanges sized to accommodate steel studs (Item 2B). Vertical deflection ceiling runner installed perpendicular to direction of fluted steel deck and secured to valleys with steel masonry anchors or steel fasteners spaced max 24 in. (610 mm) OC.
  - A3. Light Gauge Framing\* — Clipped Ceiling Runner — As an alternate to the ceiling runner in Items 2A, 2A1 and 2A2, clipped runner to consist of galv steel channel with clips preformed in track flanges which positively engage the inside flange of the steel studs (Item 2B). Track sized to accommodate steel studs (Item 2B). Track flanges to be min 2-1/2 in. (64 mm). Clipped ceiling runner installed perpendicular to direction of fluted steel floor units and secured to valleys with steel masonry anchors or steel fasteners spaced max 24 in. (610 mm) OC.
  - A4. Light Gauge Framing\* - Notched Ceiling Runner — As an alternate to the ceiling runners in Items 2A through 2A3, notched ceiling runners to consist of C-shaped galv steel channel with notched return flanges sized to accommodate steel studs (Item 2B). Notched ceiling runner installed perpendicular to direction of fluted steel deck and secured to valleys with steel masonry anchors or steel fasteners spaced max 24 in. (610 mm) OC.  
OLMAR SUPPLY INC — Type SCR
  - B. Studs — Steel studs to be min 2-1/2 in. (64 mm) wide. Studs cut 1/2 to 3/4 in. (13 to 19 mm) less in length than assembly height with bottom nesting in and resting on the floor runner and with top nesting in ceiling runner without attachment. When slotted ceiling runner (Item 2A1) is used, steel studs secured to slotted ceiling runner with No. 8 by 1/2 in. (13 mm) long wafer head steel screws at midheight of slot on each side of wall. When vertical deflection runner (Item 2A2) is used, steel studs secured to vertical clip with No. 12 steel screws through steel bushings, at midheight of slots provided in clip. Stud spacing not to exceed 24 in. (610 mm) OC.



C. Gypsum Board\* — For 1 hr assembly, one layer of 5/8 in. (16 mm) thick gypsum board as specified in the individual Wall and Partition Design. For 2 hr assembly, two layers of 5/8 in. (16 mm) thick gypsum board is specified in the individual Wall and Partition Design. For both hourly ratings, a nominal 3/4 in. (19 mm) gap shall be maintained between the top of the gypsum board and the bottom surface of the steel deck and the top row of screws shall be installed into the studs 3 in. (76 mm) below the valleys of the steel deck.

The hourly ratings of the joint system are dependent on the hourly rating of the wall.

3. Joint System — Max separation between bottom of floor or roof and top of wall is 3/4 in. (19 mm). The joint system is designed to accommodate a max 17 percent compression or extension from its installed width. . The joint system consists of a forming material and a fill material between the top of the wall and the bottom of the floor or roof, as follows:

A. Forming Material\* — Nom 4 pcf (64 kg/m<sup>3</sup>) density mineral wool batt insulation cut approx 20 percent wider than the flutes, with a length approx equal to the overall thickness of the wall. Pieces stacked as needed and then compressed 20 percent in thickness and inserted into the flutes of the steel deck above the top of the deflection channel. The mineral wool batt insulation is to project beyond each side of the ceiling runner , recessed 1/4 in. (6 mm) from wall surfaces. Additional nom 4 pcf (64 kg/m<sup>3</sup>) mineral wool batt insulation shall be cut into strips to fill the gap between the top of the gypsum board and bottom of the steel deck. The width of the strips shall be equal to the total thickness of the gypsum board less 1/4 in. (6 mm). The strips of mineral wool are compressed 50 percent in thickness and firmly packed into the gap between the top of the gypsum board and bottom of the steel deck, recessed 1/4 in. (6 mm) from wall surfaces.

ROCK WOOL MANUFACTURING CO — Delta Board

ROCKWOOL — SAFE

THERMAFIBER INC — Type SAF

A1. Forming Material\*—Plugs — (Optional-Not Shown) Preformed mineral wool plugs, formed to the shape of the fluted floor units, friction fit to completely fill the flutes above the ceiling runner. The plugs shall project beyond each side of the ceiling runner, recessed 1/4 in. (6 mm) from wall surfaces. Additional forming material, described in Item 3A, to be used in conjunction with the plugs to fill the gap between the top of gypsum board and bottom of steel floor units.

HILTI CONSTRUCTION CHEMICALS, DIV OF HILTI INC — CP777 Speed Plugs

B. Fill, Void or Cavity Material\*—Sealant — Min 1/4 in. (6 mm) thickness of fill material installed on each side of the wall in the flutes of the steel deck between the top of the gypsum board and the bottom of the steel deck, flush with each surface of the wallboard.

HILTI CONSTRUCTION CHEMICALS, DIV OF HILTI INC — CP606 Flexible Firestop Sealant

\* Indicates such products shall bear the UL or cUL Certification Mark for jurisdictions employing the UL or cUL Certification (such as Canada), respectively.

