

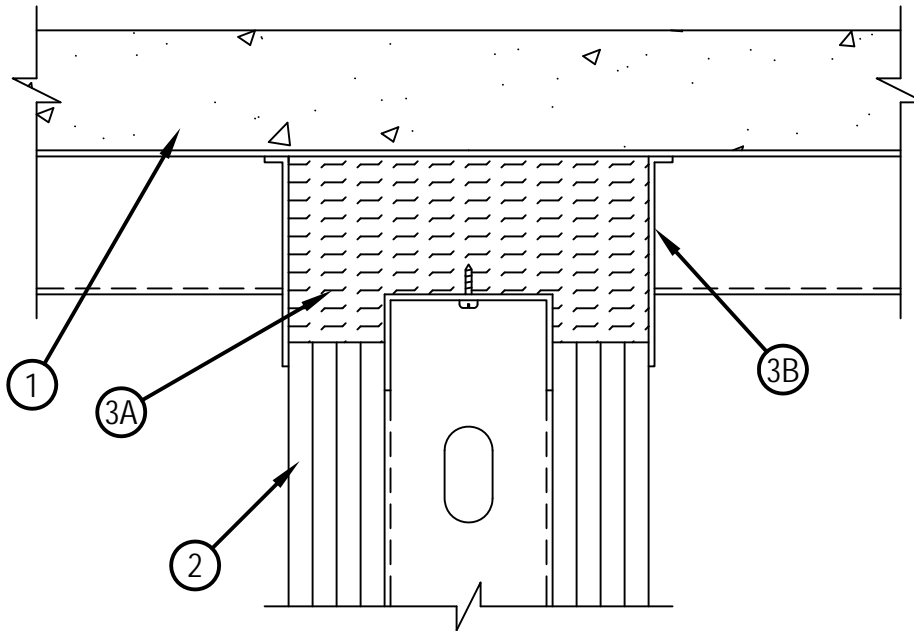


Classified by
Underwriters Laboratories, Inc.
to UL 2079 and CAN/ULC-S115

System No. HW-D-0292

HW-D-0292

ANSI/UL2079	CAN/ULC S115
Assembly Ratings — 1, 2, 3 and 4 Hr (See Item 2)	F Ratings — 1, 2, 3 and 4 Hr (See Item 2)
Nominal Joint Width - 1 In.	FT Ratings — 1, 2, 3 and 4 Hr (See Item 2)
Class II Movement Capabilities —12.5% Compression or Extension	FH Ratings — 1, 2, 3 and 4 Hr (See Item 2)
L Rating At Ambient — Less Than 1 CFM/lin ft	FTH Ratings — 1, 2, 3 and 4 Hr (See Item 2)
L Rating At 400 F — Less Than 1 CFM/lin ft	Nominal Joint Width - 1 In.
	Class II Movement Capabilities — 12.5% Compression or Extension
	L Rating At Ambient — Less Than 1 CFM/lin ft
	L Rating At 400 F — Less Than 1 CFM/lin ft



1. Floor Assembly — The fire-rated fluted steel floor unit/concrete floor assembly shall be constructed of the materials and in the manner described in the individual Floor-Ceiling Design in the Fire Resistance Directory. The hourly rating of the floor assembly shall be equal to or greater than the hourly rating of the wall assembly. The floor assembly shall include the following construction features:
 - A. Steel Floor and Form Units* — Max 3 in. (76 mm) deep galv steel fluted floor units.
 - B. Concrete — Min 2-1/2 in. (64 mm) thick reinforced concrete, as measured from the top plane of the floor units.
2. Wall Assembly — The 1, 2, 3 or 4 h fire-rated gypsum board/stud wall assembly shall be constructed of the materials and in the manner specified in the individual U400, V400 or W400 Series Wall and Partition Design in the UL Fire Resistance Directory and shall include the following construction features:
 - A. Steel Floor and Ceiling Runners — Floor and ceiling runners of wall assembly shall consist of min No. 25 gauge galv steel channels sized to accommodate steel studs (Item 2B). Flange height of ceiling runner shall be min 1/4 in. (6 mm) greater than max extended joint width.. Ceiling runner secured to valleys of steel floor units with steel fasteners or by welds spaced max 24 in. (610 mm) OC.
 - A1. Light Gauge Framing*-Slotted Ceiling Runner - - As an alternate to the ceiling runner in Item 2A, slotted ceiling runner to consist of galv steel channel with slotted flanges sized to accommodate steel studs (Item 2B). Slotted ceiling runner installed perpendicular to direction of fluted steel floor units and secured to valleys with steel fasteners spaced max 24 in. (610 mm) OC.

CALIFORNIA EXPANDED METAL PRODUCTS CO — CST
BRADY CONSTRUCTION INNOVATIONS INC, DBA SLIPTRACK SYSTEMS — SLP-TRK
MARINO/WARE, DIV OF WARE INDUSTRIES INC — Type SLT



Hilti Firestop Systems

Reproduced by HILTI, Inc. Courtesy of
Underwriters Laboratories, Inc.
March 23, 2012

A2. Light Gauge Framing*-Vertical Deflection Ceiling Runner — As an alternate to the ceiling runners in Item 2A and 2A1, vertical deflection ceiling runner to consist of galv steel channel with slotted vertical deflection clips mechanically fastened within runner. Slotted clips, provided with step bushings, for permanent fastening of steel studs. Flanges sized to accommodate steel studs (Item 2B). Vertical deflection ceiling runner installed perpendicular to direction of fluted steel floor units and secured to valleys with steel fasteners spaced max 24 in. (610 mm) OC.

THE STEEL NETWORK INC — VertiTrack VTD358, VTD400, VTD600 and VTD800

B. Studs — Steel studs to be min 3-1/2 in. (89 mm) wide. Studs cut 1/2 in. (13 mm) to 3/4 in. (19 mm) less in length than assembly height with bottom nesting in and resting on the floor runner and with top nesting in ceiling runner without attachment. When slotted ceiling runner is used, steel studs secured to slotted ceiling runner with No. 8 by 1/2 in. (13 mm) long wafer head steel screws at midheight of slot on each side of wall. When vertical deflection ceiling runner is used, steel studs secured to slotted vertical deflection clips, through bushings, with steel screws at midheight of each slot. Stud spacing not to exceed 24 in. (610 mm) OC.

C. Gypsum Board* — Nom 1/2 or 5/8 in. (13 or 16 mm) thick gypsum board with square or tapered edges. The gypsum board type, thickness number of layers, fastener type and sheet orientation shall be as specified in the individual Wall and Partition Design, except that a nom 1 in. (25 mm) gap shall be maintained between top of gypsum board and the lower surface of the steel floor units. The screws attaching the gypsum board to the studs at the top of the first layer shall be located 4 in. (102 mm) from the steel floor unit valleys. The screws attaching the second layer to the steel studs shall be located 3-1/2 in. (89 mm) from the valleys of the steel floor units. The screws attaching the gypsum board to the studs at the top of the third layer shall be located 3 in. (76 mm) from the steel floor unit valleys. The screws attaching the fourth layer to the steel studs shall be located 2-1/2 in. (64 mm) from the valleys of the steel floor units.

The hourly ratings of the joint system are dependent on the hourly rating of the wall.

3. Joint System — Max separation between bottom of floor units and top of gypsum board at time of installation is 1 in. (25 mm). The joint system is designed to accommodate a max 12.5 percent compression or extension from its installed width. The joint system shall consist of a forming material and a fill material, as follows:

A. Forming Material* — Nom 4 pcf (64 kg/m³) density mineral wool batt insulation cut approx 25 percent wider than the flutes and with a length approx equal to the overall thickness of the wall. Multiple pieces stacked on top of each other, as needed, and then compressed 50 percent in thickness and inserted into the flutes of the steel deck above the top of the ceiling runner. The mineral wool batt insulation is to project beyond each side of the ceiling runner, flush with wall surfaces. Additional strips of nom 4 pcf (64 kg/m³) mineral wool batt insulation are to be cut to a width equal to the total thickness of gypsum board layers to fill the gap between the top of the gypsum board and bottom of the steel deck. The strips of mineral wool are compressed 50 percent in thickness and tightly packed, cut edge first, into the gap between the top of the gypsum board and bottom of the steel deck on both sides of the wall.

ROCK WOOL MANUFACTURING CO — Delta Board

ROXUL INC — SAFE

THERMAFIBER INC — Type SAF

B. Fill, Void or Cavity Material* — Min 1/8 in. (3.2 mm) wet thickness (min 1/16 in. or 1.6 mm dry thickness) of fill material sprayed or troweled on each side of the wall to completely cover mineral wool forming material and to overlap a min of 1/2 in. (13 mm) onto gypsum board and steel deck on both sides of wall.

HILTI CONSTRUCTION CHEMICALS, DIV OF HILTI INC — CP672 Firestop Spray or CFS-SP WB Firestop Joint Spray

*Bearing the UL Classification Mark



Hilti Firestop Systems

Reproduced by HILTI, Inc. Courtesy of
Underwriters Laboratories, Inc.
March 23, 2012