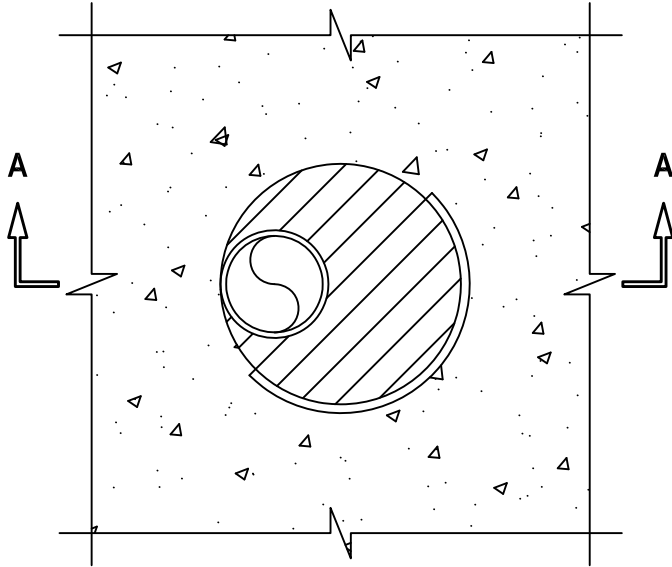


METAL PIPE THROUGH CONCRETE FLOOR/WALL OR BLOCK WALL ASSEMBLY

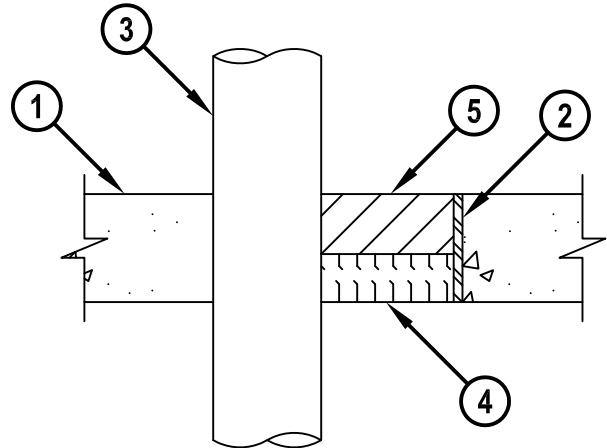
F-RATING = 2-HR.
 FT-RATING = 0-HR.
 FH-RATING = 0-HR.
 FTH-RATING = 0-HR.

cUL CAJ1661a.012716

TOP VIEW



SECTION A-A



1. CONCRETE FLOOR OR WALL ASSEMBLY (2-HR. FIRE-RATING) :
 - A. LIGHTWEIGHT OR NORMAL WEIGHT CONCRETE FLOOR (MINIMUM 4-1/2" THICK).
 - B. LIGHTWEIGHT OR NORMAL WEIGHT CONCRETE WALL (MINIMUM 7" THICK).
 - C. ANY UL/cUL CLASSIFIED CONCRETE BLOCK WALL.
2. [OPTIONAL] MAXIMUM 10" NOMINAL DIAMETER STEEL PIPE SLEEVE (SCHEDULE 40 OR HEAVIER).
3. PENETRATING ITEM TO BE ONE OF THE FOLLOWING :
 - A. MAXIMUM 4" NOMINAL DIAMETER STEEL PIPE (SCHEDULE 10 OR HEAVIER).
 - B. MAXIMUM 4" NOMINAL DIAMETER CAST IRON PIPE.
 - C. MAXIMUM 4" NOMINAL DIAMETER COPPER PIPE OR TUBING.
 - D. MAXIMUM 4" NOMINAL DIAMETER STEEL CONDUIT OR EMT.
4. MINIMUM 2" THICKNESS MINERAL WOOL (MIN. 4 PCF DENSITY) TIGHTLY PACKED AND RECESSED TO ACCOMMODATE FIRESTOP FOAM.
5. MINIMUM 2-1/2" DEPTH HILTI CP 660 FIRESTOP FOAM FLUSH WITH TOP SURFACE OF FLOOR.

NOTES : 1. MAXIMUM DIAMETER OF OPENING = 10".
 2. ANNULAR SPACE = MINIMUM 0", MAXIMUM 5-7/8".
 3. MINIMUM 2-1/2" DEPTH HILTI CP 660 FIRESTOP FOAM IS REQUIRED ON BOTH SIDES OF A WALL ASSEMBLY.



HILTI, Inc.
 Plano, Texas USA (800) 879-8000

Sheet	1 of 1
Scale	1/8" = 1"
Date	Jan. 27, 2016

Drawing No.
cUL
CAJ1661a