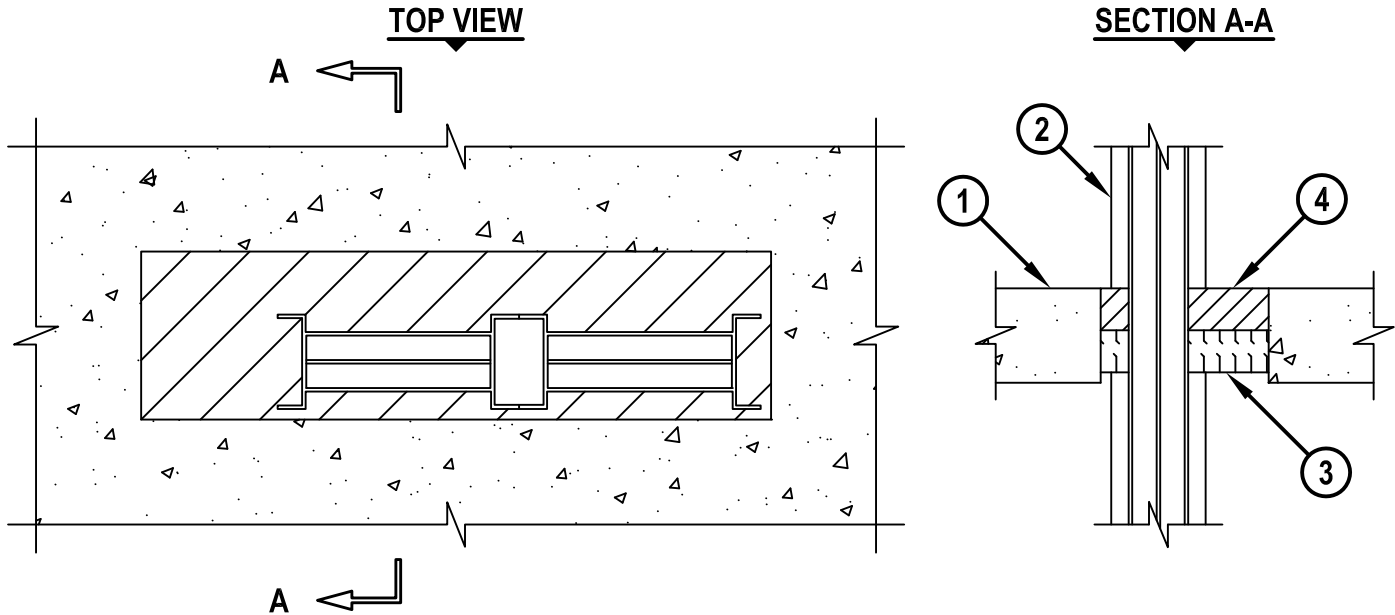


ELECTRICAL BUSWAY THROUGH CONCRETE FLOOR/WALL OR CONCRETE BLOCK WALL ASSEMBLY

F-RATING = 2-HR.
FT-RATING = 1/4-HR.
FH-RATING = 0-HR.
FTH-RATING = 0-HR.

cUL CAJ6048a.012716



1. CONCRETE FLOOR OR WALL ASSEMBLY (2-HR. FIRE-RATING) :
 - A. LIGHTWEIGHT OR NORMAL WEIGHT CONCRETE FLOOR (MINIMUM 4-1/2" THICK).
 - B. LIGHTWEIGHT OR NORMAL WEIGHT CONCRETE WALL (MINIMUM 6" THICK).
 - C. ANY UL/cUL CLASSIFIED CONCRETE BLOCK WALL.
2. ELECTRICAL BUSWAY (UL/cUL CLASSIFIED) (NOMINAL 23" WIDE x 4-1/2" DEEP, OR SMALLER) ("I" SHAPED ALUMINUM ENCLOSURE CONTAINING FACTORY MOUNTED ALUMINUM BARS RATED FOR 600V, 4000A, OR COPPER BARS RATED FOR 600V, 5000A) (SEE NOTE NO. 3 BELOW).
3. MINIMUM 2" THICKNESS MINERAL WOOL (MIN. 4 PCF DENSITY) TIGHTLY PACKED AND RECESSED TO ACCOMMODATE FIRESTOP FOAM.
4. MINIMUM 2" DEPTH HILTI CP 660 FIRESTOP FOAM.

NOTES : 1. MAXIMUM AREA OF OPENING = 240 SQ. IN. WITH A MAXIMUM DIMENSION OF 30".
 2. ANNULAR SPACE = MINIMUM 1/4", MAXIMUM 5-3/4".
 3. AS AN ALTERNATE TO SINGLE BUSWAY, MAXIMUM TWO ELECTRICAL BUSWAYS (NOMINAL 11-1/4" WIDE x 4-1/2" DEEP, OR SMALLER) MAY BE INSTALLED.
 4. MINIMUM 2" DEPTH HILTI CP 660 FIRESTOP FOAM IS REQUIRED ON BOTH SIDES OF A WALL ASSEMBLY.



HILTI, Inc.
Plano, Texas USA (800) 879-8000

Sheet	1 of 1
Scale	7/64" = 1"
Date	Jan. 27, 2016

Drawing No.
cUL
CAJ6048a