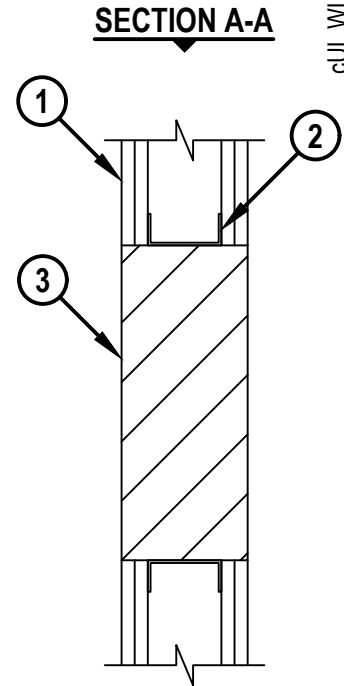
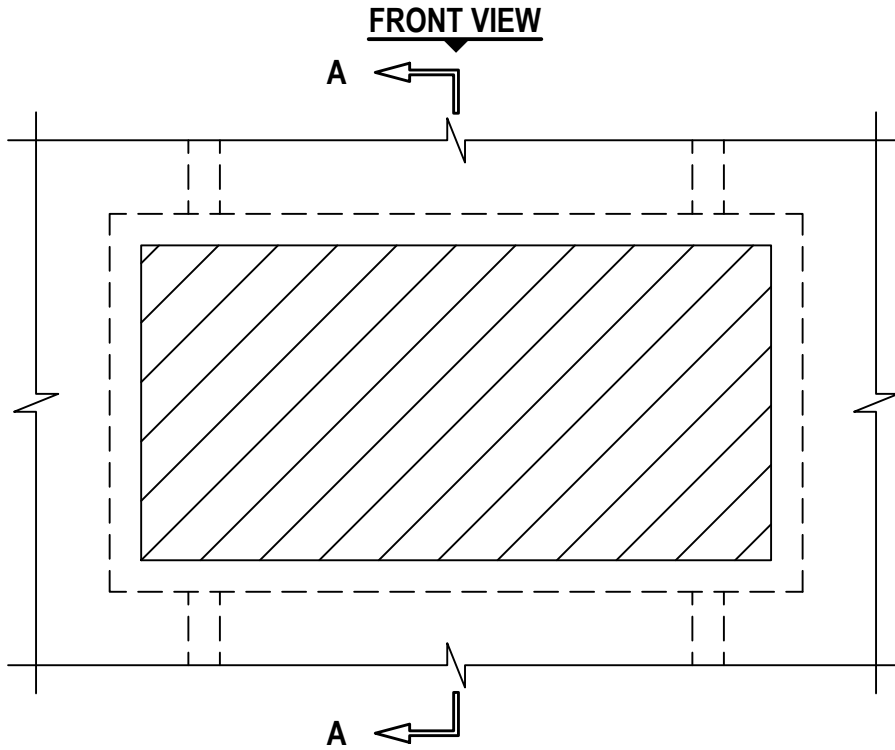


BLANK OPENING THROUGH GYPSUM WALL ASSEMBLY

F-RATING = 1-HR. OR 2-HR.
 FT-RATING = 1-HR. OR 2-HR.
 FH-RATING = 0-HR.
 FTH-RATING = 0-HR.

cUL WL0048b.011217



1. GYPSUM WALL ASSEMBLY (UL/cUL CLASSIFIED U400 SERIES) (1-HR. OR 2-HR. FIRE-RATING) (2-HR. SHOWN).
2. OPENING TO BE "FRAMED-OUT" WITH LIGHTGAGE STEEL STUDS (MIN. 3-1/2" WIDE).
3. HILTI CP 660 FIRESTOP FOAM INSTALLED FLUSH WITH BOTH SURFACES OF THE WALL :
 - A. MINIMUM 4-3/4" THICKNESS, FOR A 1-HR. FIRE-RATING.
 - B. MINIMUM 6" THICKNESS, FOR A 2-HR. FIRE-RATING.

NOTE : MAXIMUM SIZE OF OPENING = 30" x 15".



HILTI, Inc.
 Plano, Texas USA (800) 879-8000

| | |
|-------|---------------|
| Sheet | 1 of 1 |
| Scale | 7/64" = 1" |
| Date | Jan. 12, 2017 |

Drawing No.
cUL
WL0048b