

CABLE TRAY THROUGH GYPSUM WALL ASSEMBLY

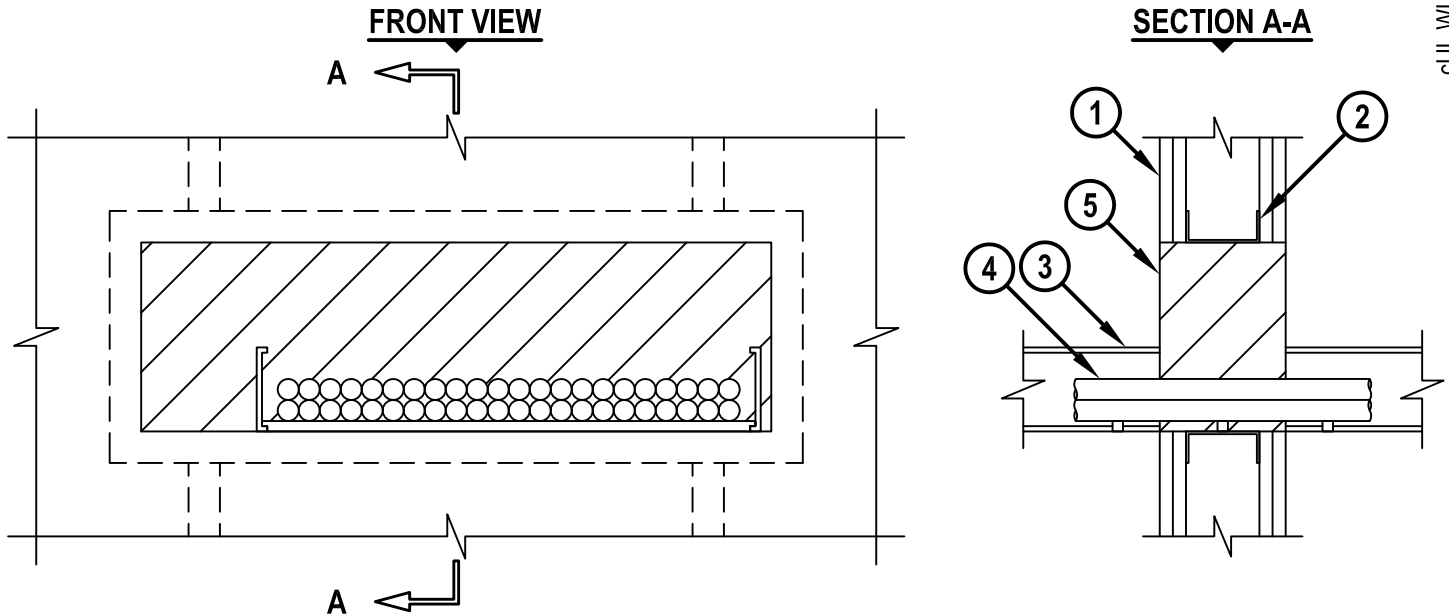
F-RATING = 1-HR. OR 2-HR.

FT-RATING = 0-HR.

FH-RATING = 0-HR.

FTH-RATING = 0-HR.

cUL WL4087a.012816



1. GYPSUM WALL ASSEMBLY (UL/cUL CLASSIFIED U400 OR V400 SERIES) (1-HR. OR 2-HR. FIRE-RATING) (2-HR. SHOWN).
2. OPENING TO BE "FRAMED OUT" WITH LIGHTGAGE STEEL STUDS (MINIMUM 3-1/2" WIDE).
3. MAXIMUM 24" x 4" ALUMINUM OPEN LADDER CABLE TRAY.
4. CABLES TO BE ANY COMBINATION OF THE FOLLOWING :
 - A. MAXIMUM 300 PAIR NO. 24 AWG TELEPHONE CABLE.
 - B. MAXIMUM 500 KCMIL SINGLE CONDUCTOR POWER CABLE.
 - C. MAXIMUM 3/8" DIAMETER FIBER-OPTIC CABLE.
 - D. MAXIMUM 3/C NO. 12 AWG METAL-CLAD CABLE.
5. HILTI CP 660 FIRESTOP FOAM INSTALLED FLUSH WITH BOTH SURFACES OF THE WALL :
 - A. MINIMUM 4-3/4" THICKNESS, FOR A 1-HR. FIRE-RATING.
 - B. MINIMUM 6" THICKNESS, FOR A 2-HR. FIRE-RATING.

NOTES :

1. MAXIMUM SIZE OF OPENING = 30" x 9".
2. ANNULAR SPACE = MINIMUM 0", MAXIMUM 5".
3. MAXIMUM AREA OF CABLES SHALL BE 45% OF CROSS-SECTIONAL AREA OF CABLE TRAY BASED ON A MAXIMUM 3" CABLE LOADING DEPTH.
4. [OPTIONAL - NOT SHOWN] HILTI CFS-BL FIRESTOP BLOCK (CENTERED WITHIN WALL ASSEMBLY) MAY BE APPLIED IN A SINGLE LAYER ABOVE CABLES WITHIN CABLE TRAY (2" THICK x 8" WIDE x 5" DEEP).



HILTI, Inc.
Plano, Texas USA (800) 879-8000

Sheet	1 of 1
Scale	7/64" = 1"
Date	Jan. 28, 2016

Drawing No.
cUL
WL4087a