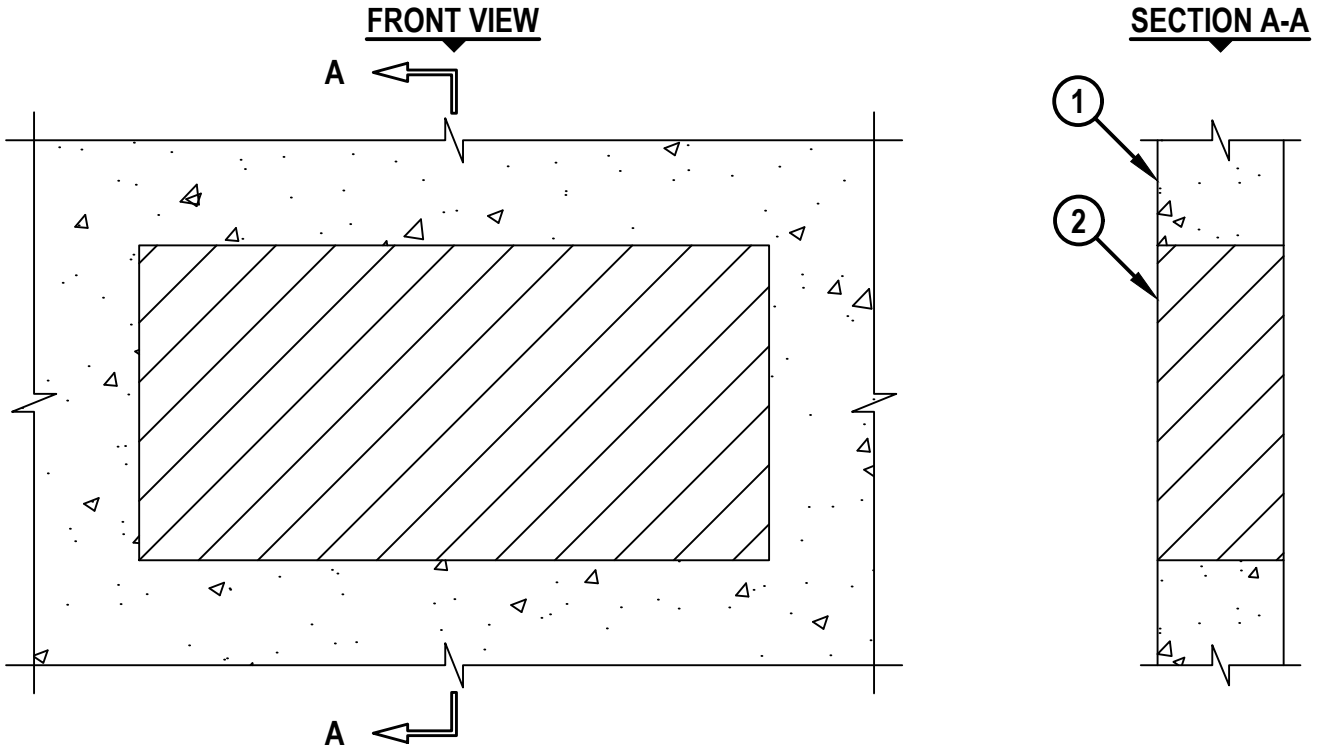


BLANK OPENING THROUGH CONCRETE WALL OR BLOCK WALL ASSEMBLY

F-RATING = 1-HR. OR 2-HR.
 FT-RATING = 1-HR. OR 2-HR.
 FH-RATING = 0-HR.
 FTH-RATING = 0-HR.

cUL WJ0024b.010417



1. CONCRETE WALL ASSEMBLY (1-HR. OR 2-HR. FIRE-RATING) :
 - A. LIGHTWEIGHT OR NORMAL WEIGHT CONCRETE WALL (MIN. 4-3/4" THICK, FOR A 1-HR. FIRE-RATING).
 - B. LIGHTWEIGHT OR NORMAL WEIGHT CONCRETE WALL (MIN. 6" THICK, FOR A 2-HR. FIRE-RATING).
 - C. ANY UL/cUL CLASSIFIED SOLID OR FILLED CONCRETE BLOCK WALL.
2. HILTI CP 660 FIRESTOP FOAM INSTALLED FLUSH WITH BOTH SURFACES OF THE WALL :
 - A. MINIMUM 4-3/4" THICKNESS, FOR A 1-HR. FIRE-RATING.
 - B. MINIMUM 6" THICKNESS, FOR A 2-HR. FIRE-RATING.

NOTE : MAXIMUM SIZE OF OPENING = 30" x 15".

 Hilti Firestop Systems	HILTI, Inc. Plano, Texas USA (800) 879-8000	Sheet 1 of 1	Drawing No. cUL WJ0024b
		Scale 7/64" = 1"	
		Date Jan. 04, 2017	
<i>Saving Lives through Innovation and Education</i>			