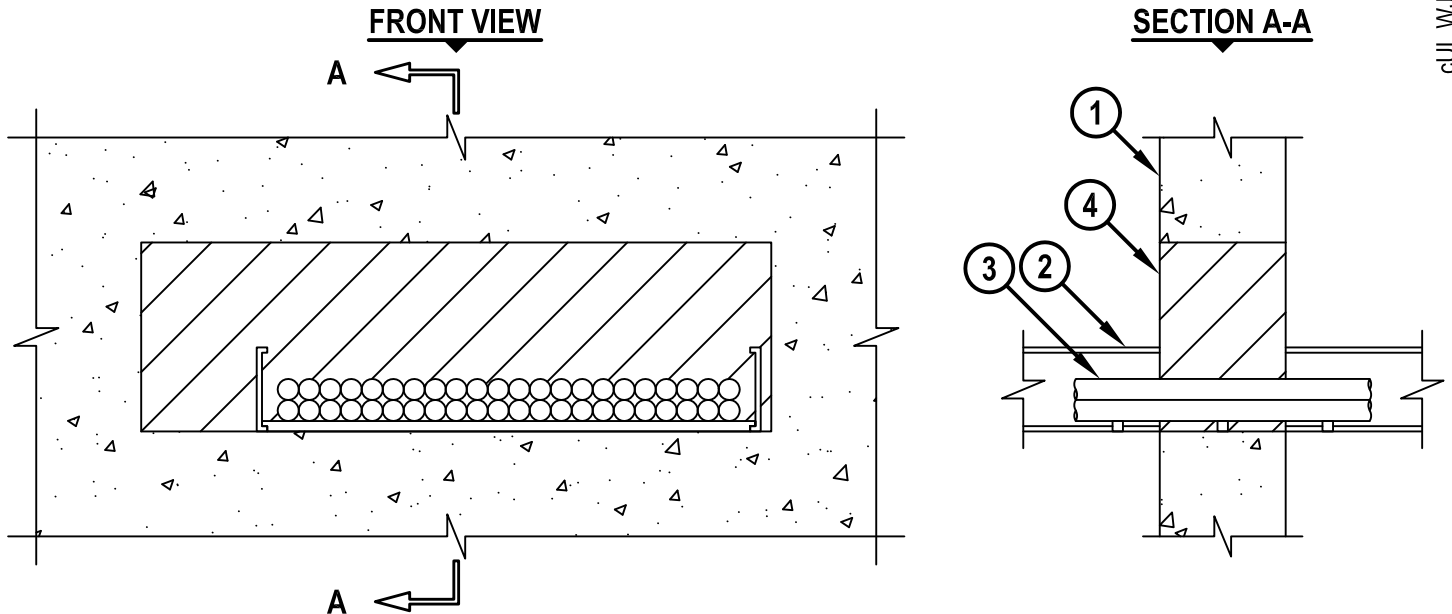


# CABLE TRAY THROUGH CONCRETE WALL OR BLOCK WALL ASSEMBLY

F-RATING = 1-HR. OR 2-HR.  
 FT-RATING = 0-HR.  
 FH-RATING = 0-HR.  
 FTH-RATING = 0-HR.

cUL WJ4078a.032416



1. CONCRETE WALL ASSEMBLY (1-HR. OR 2-HR. FIRE-RATING) (2-HR. SHOWN) :
  - A. LIGHTWEIGHT OR NORMAL WEIGHT CONCRETE WALL (MIN. 4-3/4" THICK, FOR A 1-HR. FIRE-RATING).
  - B. LIGHTWEIGHT OR NORMAL WEIGHT CONCRETE WALL (MIN. 6" THICK, FOR A 2-HR. FIRE-RATING).
  - C. ANY UL/cUL CLASSIFIED SOLID OR FILLED CONCRETE BLOCK WALL.
2. ALUMINUM OPEN LADDER CABLE TRAY (MAXIMUM SIZE : 24" x 4").
3. CABLES TO CONSIST OF ANY COMBINATION OF THE FOLLOWING :
  - A. MAXIMUM 300 PAIR NO. 24 AWG TELEPHONE CABLE WITH PVC JACKET.
  - B. MAXIMUM 500 KCMIL SINGLE CONDUCTOR POWER CABLE WITH PVC JACKET.
  - C. MAXIMUM 3/8" DIAMETER FIBER-OPTIC CABLE WITH PVC JACKET.
  - D. MAXIMUM 3/C NO. 12 AWG METAL-CLAD CABLE.
4. HILTI CP 660 FIRESTOP FOAM :
  - A. MINIMUM 4-3/4" THICKNESS, FOR A 1-HR. FIRE-RATING.
  - B. MINIMUM 6" THICKNESS, FOR A 2-HR. FIRE-RATING.

**NOTES :** 1. MAXIMUM AREA OF OPENING = 270 SQ. IN., WITH A MAXIMUM DIMENSION OF 30".  
 2. ANNULAR SPACE = MINIMUM 0", MAXIMUM 5".  
 3. MAXIMUM AREA OF CABLES SHALL BE 45% OF CROSS-SECTIONAL AREA OF CABLE TRAY.  
 4. [OPTIONAL - NOT SHOWN] HILTI CFS-BL FIRESTOP BLOCK (FIRMLY PACKED AND CENTERED WITHIN WALL ASSEMBLY) MAY BE APPLIED IN A SINGLE LAYER ABOVE CABLES WITHIN CABLE TRAY (2" THICK x 8" WIDE x 5" DEEP).



HILTI, Inc.  
 Plano, Texas USA (800) 879-8000

Sheet	1 of 1
Scale	7/64" = 1"
Date	Mar. 24, 2016

Drawing No.  
**cUL**  
**WJ4078a**