

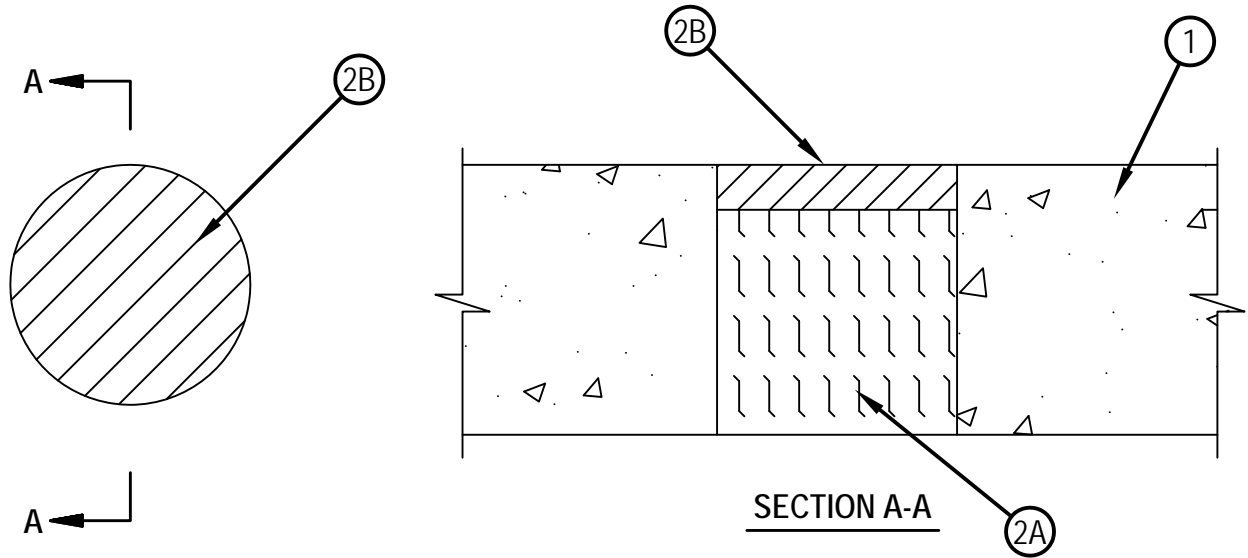


Classified by
Underwriters Laboratories, Inc.
to UL 1479 and CAN/ULC-S115

System No. C-AJ-0058

F Rating — 3 Hr
T Rating — 2-3/4 Hr

CAJ 0058



1. Floor or Wall Assembly — Min 4-1/2 in. (114 mm) thick floor or min 5-1/4 in. (133 mm) wall, reinforced lightweight or normal weight (100-150 pcf or 1600-2400 kg/m³) concrete. Wall may also be constructed of any UL Classified Concrete Blocks*. Max diam of opening is 4 in. (102 mm). See Concrete Blocks (CAZT) category in the Fire Resistance Directory for names of manufacturers.
2. Firestop System — The firestop system shall consist of the following:
 - A. Packing or Forming Materials — Min 3-3/4 in. (95 mm) thickness of min 4 pcf (64 kg/m³) mineral wool batt insulation tightly packed into the opening as a permanent form. Packing material to be recessed from the top surface of floor or both surfaces of wall as required to accommodate the required thickness of putty.
 - B. Fill, Void or Cavity Material* — Putty — Min 3/4 in. (19 mm) thickness of putty applied within the annulus, flush with top surface of floor or with both surfaces of wall.

HILTI CONSTRUCTION CHEMICALS, DIV OF HILTI INC — CP 618 Firestop Putty Stick

*Bearing the UL Classification Mark



Hilti Firestop Systems

Reproduced by HILTI, Inc. Courtesy of
Underwriters Laboratories, Inc.
February 19, 2008