

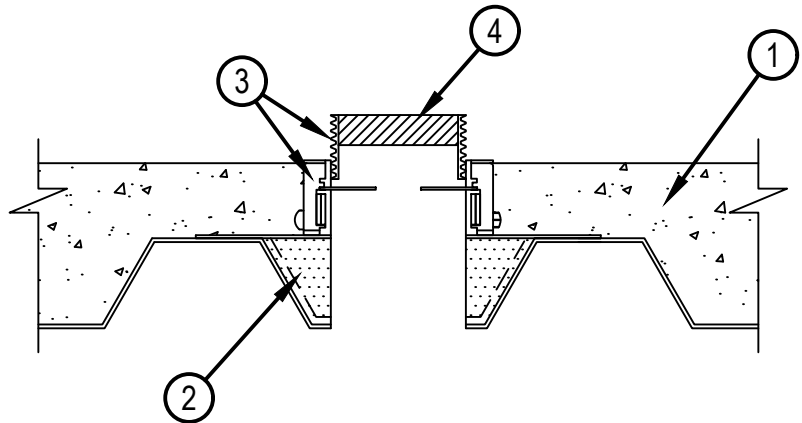
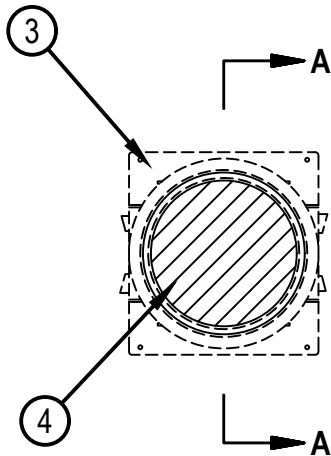


Classified by  
Underwriters Laboratories, Inc.  
to UL 1479 and CAN/ULC-S115

# System No. F-A-0040

FA 0040

ANSI/UL1479 (ASTM E814)	CAN/ULC S115
F Ratings — 2 and 3 Hr (See Item 1)	F Ratings — 2 and 3 Hr (See Item 1)
T Rating — 0, 1 and 3 Hr (See Item 4A Table)	FT Ratings — 0, 1 and 3 Hr (See Item 4A Table)
	FH Ratings — 2 and 3 Hr (See Item 1)
	FTH Ratings — 0, 1 and 3 Hr (See Item 4A Table)



**SECTION A-A**



Reproduced by HILTI, Inc. Courtesy of  
Underwriters Laboratories, Inc.  
November 26, 2019

# System No. F-A-0040

FA 0040

1. Floor Assembly — The fire rated unprotected concrete and steel floor assembly shall be constructed of the materials and in the manner specified in the individual D900 Series designs in the UL Fire Resistance Directory and as summarized below:
    - A. Concrete — Min 2-1/2 in. (64 mm) thick for 2 Hr F and FH Ratings, and min 4-1/2 in. (114 mm) thick for 3 Hr F and FH Ratings, reinforced lightweight or normal weight (100-150 pcf or 1600-2400 kg/m<sup>3</sup>) concrete.
    - B. Steel Floor and Form Units\* — Max 3 in. (76 mm) deep galv steel fluted units as specified in the individual Floor-Ceiling Design.
  2. Firestop Device\* — Cast in place firestop device platform installed prior to concrete placement in floor assembly. The CFS-CID MD PLT firestop device platform is screwed to the fluted deck with one fastener at each corner in accordance with manufacturer installation instructions. The firestop device platform is sized for nominal 2 and 3 in. (51 and 76 mm) deep fluted decks.  
HILTI CONSTRUCTION CHEMICALS, DIV OF HILTI INC — CFS-CID MD PLT W2" and W3"
  3. Firestop Device\* — Cast in place firestop device installed over firestop device platform prior to concrete placement in floor assembly. The CFS-CID MD Firestop Device is set onto and screwed to the firestop device platform (Item 2) in accordance with manufacturer installation instructions. The firestop device is sized for the diameter of the through penetrant and for the height of the concrete topping over the fluted deck. The 2.5" height devices are intended for a 2.5 in. (64 mm) concrete topping and the 4" height devices for concrete toppings greater than 2.5 in. (64 mm) thick. The 2.5" height device shall be used with the Hilti provided extension which screws into top of device to accommodate the installation of the fill material (Item 4). The firestop device/extension may extend a max of 2 in. (51 mm) above the top surface of the concrete.  
HILTI CONSTRUCTION CHEMICALS, DIV OF HILTI INC — CFS-CID MD P 2"/2.5", 3"/2.5" and 4"/2.5" and CFS-CID MD P 2"/4", 3"/4" and 4"/4", CFS-CID MD PX 2"/2.5", 3"/2.5" and 4"/2.5" and CFS-CID MD PX 2"/4", 3"/4" and 4"/4"
  4. Fill, Void or Cavity Material\*—Putty — Min 1 in. (25 mm) thickness of fill material applied within device flush with top surface of device.  
HILTI CONSTRUCTION CHEMICALS, DIV OF HILTI INC — CP 618 Firestop Putty Stick
  - 4A. Packing Material (Not Shown) — As an alternate to item 4, for 4" height devices and 4.5 in. (114 mm) concrete topping only, min 4 in. (102 mm) thickness of min 4 pcf (64 kg/m<sup>3</sup>) mineral wool insulation firmly packed to the fullest extent possible within annulus above smoke seal gasket flush with top surface of device.
- The hourly T, FT and FTH Ratings are dependent on concrete topping thickness and putty or packing material used per Table below.

T, FT and FTH Ratings, hr				
Packing Material (Item 4A)				
Min Concrete Topping thickness, in. (mm)	F and FH Ratings, hr	Putty (Item 4)	CFS-CID MD 2" and 3"	CFS-CID MD 4"
2.5 (64)	2	1 hr	N/A	N/A
4.5 (114)	3	3 hr	3 hr	0 hr

\* Indicates such products shall bear the UL or cUL Certification Mark for jurisdictions employing the UL or cUL Certification (such as Canada), respectively.



Reproduced by HILTI, Inc. Courtesy of  
Underwriters Laboratories, Inc.  
November 26, 2019