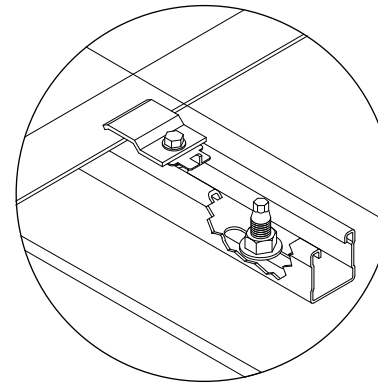
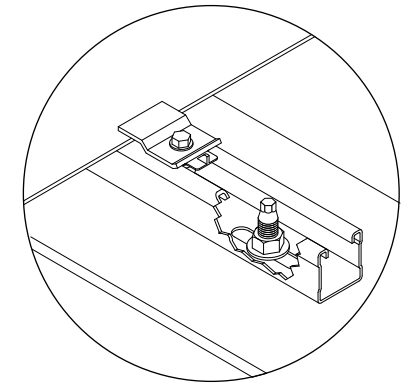


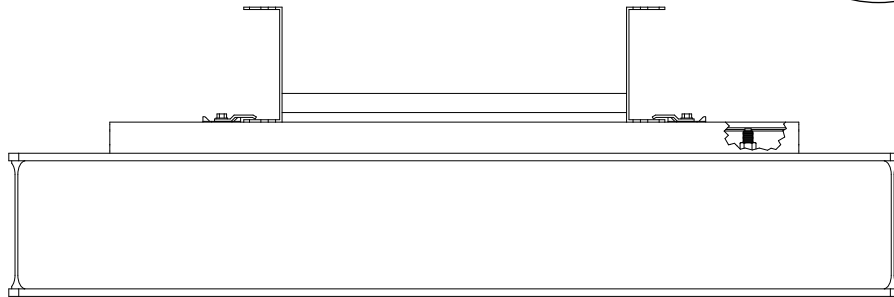
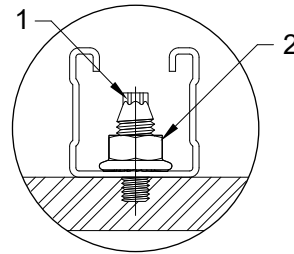
PLAN VIEW



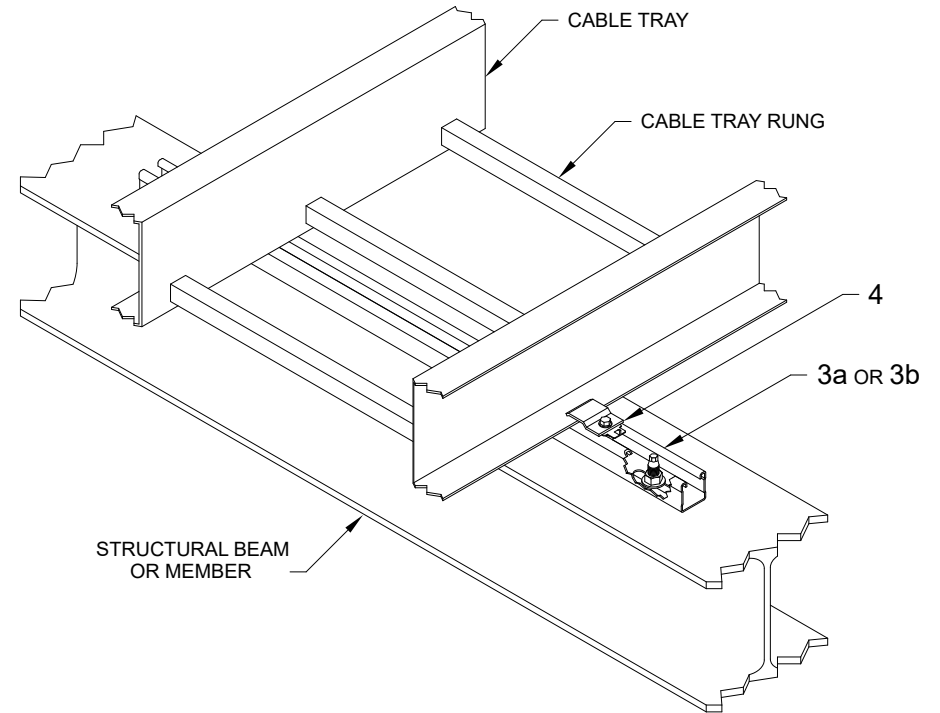
HOLD DOWN CLIP



EXPANSION GUIDE CLIP



FRONT ELEVATION



No.	Unit Qty	Unit	Description	Box Qty	# Boxes Needed	Item No.
1	AS REQ'D	EA	S-BT-MR W10/15 SN6 STUD	100	AS REQ'D	2140741
2	AS REQ'D	EA	HILTI SERRATED FLANGE NUT	100	AS REQ'D	*
3a	AS REQ'D	EA	STRUT HS-158-12/HDG 10'	1	AS REQ'D	407570
3b	AS REQ'D	EA	STRUT MS-158-12/ SS316TI 9'-10" (3M)	1	AS REQ'D	3424527
4	AS REQ'D	EA	CABLE TRAY CLIP ASSEMBLY (BY OTHERS)	-	AS REQ'D	-

\* S-BT-MR W10/15 SN6 PACKAGE INCLUDES SERRATED FLANGE NUTS

NOTE:

1. SPACE HILTI S-BT STUDS ACCORDINGLY TO ACCOMMODATE DESIGN LOADS. MINIMUM OF TWO STUDS PER STRUT SECTION.
2. HILTI S-BT STUDS SHALL BE INSTALLED PER HILTI INSTALLATION INSTRUCTIONS.

	Information and loads are recommendations for static application, and based on the published data in the Hilti Technical Guide (including allowable load values, factors of safety, methods of calculation and limiting factors). The responsible project engineer must verify suitability for any specific application. Modification to design may alter performance and should be evaluated by engineer of record.	Drawn HAM/JGB	Developer RPB
		Date 21 NOV 2016	Drawing No. 12-122-02
Project DETAILS FOR ELECTRICAL ENGINEERS	Description STRUT TO STEEL WITH S-BT FOR CABLE TRAY	Index E	Sheet 1/1