

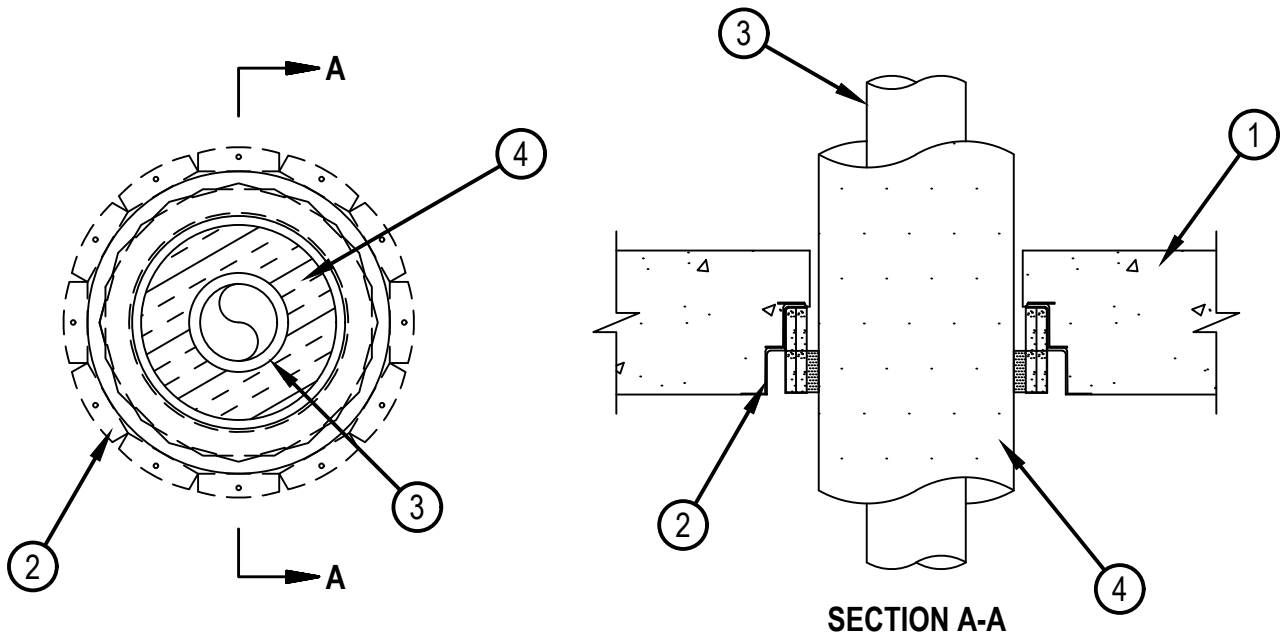


Classified by  
Underwriters Laboratories, Inc.  
to UL 1479 and CAN/ULC-S115

# System No. F-B-5009

FB 5009

ANSI/UL1479 (ASTM E814)	CAN/ULC S115
F Rating — 2 Hr	F Rating — 2 Hr
T Ratings — 1-1/4, 1-3/4 and 2 Hr (See Item 4)	FT Ratings — 1-1/4, 1-3/4 and 2 Hr (See Item 4)
	FH Rating — 2 Hr
	FTH Ratings — 1-1/4, 1-3/4 and 2 Hr (See Item 4)



1. Floor Assembly — Min 6 in. (152 mm) thick reinforced lightweight or normal weight (100-150 pcf or 1600-2400 kg/m<sup>3</sup>) concrete floor.
2. Firestop Device\* — Cast in place firestop device permanently embedded during the concrete pour or grouted into the concrete assembly in accordance with the accompanying installation instructions.  
HILTI CONSTRUCTION CHEMICALS, DIV OF HILTI INC — CFS-CID P 8" and 10"
3. Through Penetrants — One metallic pipe to be installed within the firestop system. Pipe to be rigidly supported on both sides of the floor assembly. The following types and sizes of the metallic pipes may be used:
  - A. Copper Tubing — Nom 6 in. (152 mm) diam (or smaller) Type L (or heavier) copper tubing.
  - B. Copper Pipe — Nom 6 in. (152 mm) diam (or smaller) Regular (or heavier) copper pipe.
  - C. Steel Pipe — Nom 8 in. (203 mm) diam (or smaller) Schedule 40 (or heavier) steel pipe.
  - D. Iron Pipe — Nom 8 in. (203 mm) diam (or smaller) cast or ductile iron pipe.

The metallic penetrant and pipe covering shall be sized as follows:

Nom Pipe Diam In.	Pipe Type (Item 3)	Device Size	Nom Pipe Covering Thkns In.	T, FT, FTH Ratings Hr
6 (152 mm)	All	8"	1 (25 mm)	1-3/4
4 (102 mm)	All	8"	2 (51 mm)	2
8 (203 mm)	Steel, Iron	10"	1 (25 mm)	1-1/4
6 (152 mm)	Steel, Iron	10"	2 (51 mm)	2



Hilti Firestop Systems

Reproduced by HILTI, Inc. Courtesy of  
Underwriters Laboratories, Inc.  
July 12, 2017

## System No. F-B-5009

FB 5009

4. Pipe Covering\* — Nom 1 or 2 in. (25 or 51 mm) thick hollow cylindrical heavy density (min 3.5 pcf) glass fiber units jacketed on the outside with an all service jacket. See Table above. Longitudinal joints sealed with metal fasteners or factory-applied self-sealing lap tape. Transverse joints secured with metal fasteners or with butt strip tape supplied with the product.

See Pipe and Equipment Covering — Materials\* (BRGU) category in Building Materials Directory for names of manufacturers. Any pipe covering material meeting the above specifications and bearing the UL Classification Marking with a Flame Spread Index of 25 or less and a Smoke Developed Index of 50 or less may be used.

\* Indicates such products shall bear the UL or cUL Certification Mark for jurisdictions employing the UL or cUL Certification (such as Canada), respectively.



**Hilti Firestop Systems**

Reproduced by HILTI, Inc. Courtesy of  
Underwriters Laboratories, Inc.  
July 12, 2017

Page: 2 of 2