

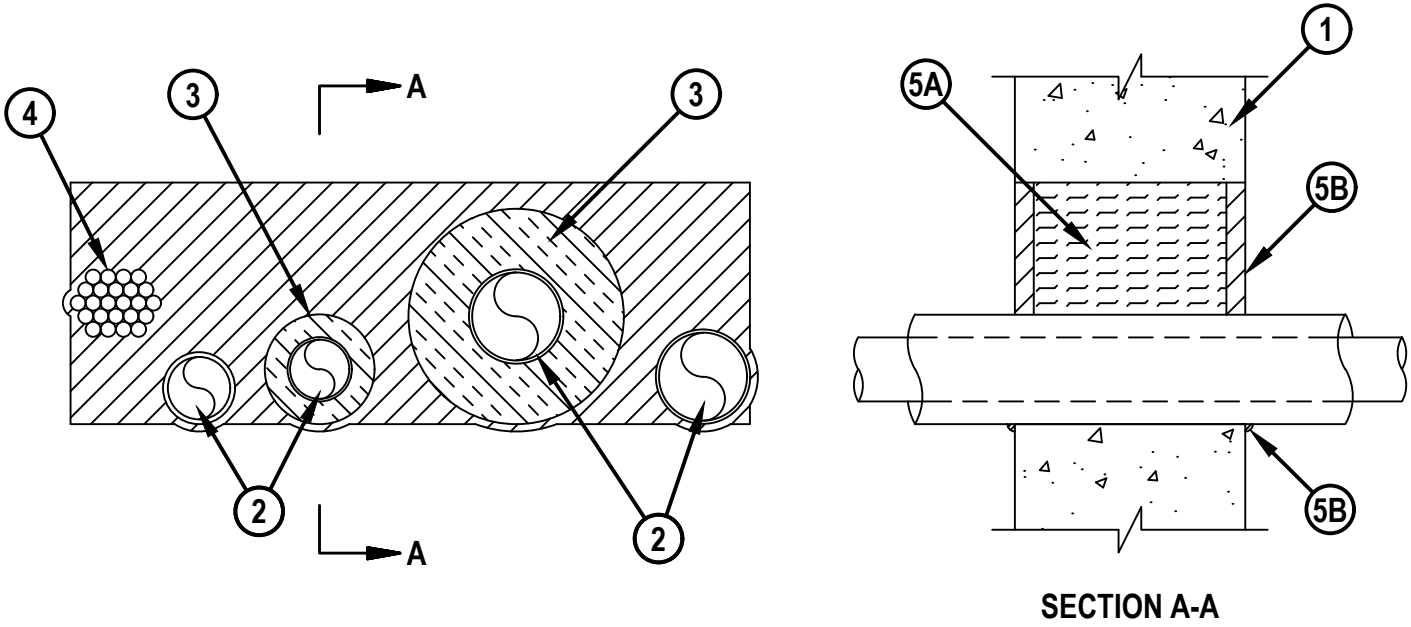


Classified by  
Underwriters Laboratories, Inc.  
to UL 1479 and CAN/ULC-S115

# System No. W-J-8035

WJ 8035

ANSI/UL1479 (ASTM E814)	CAN/ULC S115
F Rating — 2 Hr	F Rating — 2 Hr
T Rating — 0 Hr	FT Rating — 0 Hr
	FH Rating — 2 Hr
	FTH Rating — 0 Hr



1. Wall Assembly — Min 5 in. (127 mm) thick reinforced lightweight or normal weight (100-150 pcf) concrete. Wall may also be constructed of any UL Classified Concrete Blocks\*. Max size of opening 9 in. (129 mm) by 30 in. (762 mm).

See Concrete Blocks (CAZT) category in the Fire Resistance Directory for names of manufacturers.

2. Through-Penetrant — One or more pipes, conduit or tubes to be installed within the opening. The total number of through-penetrants is dependent on the size of the opening and the types and sizes of the penetrants. Any combination of the penetrants described below may be used provided that the following parameters relative to the annular spaces and the spacing between the through penetrants are maintained. The separation between the penetrants shall be min 1 in. (25 mm) to max 1-1/2 in. (38 mm). The annular space between penetrants and the periphery of opening shall be min 0 in. (0 mm, point contact) to max 5 in. (152 mm). Pipes, conduit or tubes to be rigidly supported on both sides of wall assembly. The following types and sizes of pipes, conduit or tubes may be used.

- A. Copper Tubing — Nom 3 in. (76 mm) diam (or smaller) Type L (or heavier) copper tube.
- B. Copper Pipe — Nom 3 in. (76 mm) diam (or smaller) Regular (or heavier) copper pipe.
- C. Steel Pipe — Nom 3 in. (76 mm) diam (or smaller) Schedule 10 (or heavier) steel pipe.
- D. Iron Pipe — Nom 3 in. (76 mm) diam (or smaller) cast or ductile iron pipe.
- E. Conduit — Nom 3 in. (76 mm) diam (or smaller) electric metallic tubing (EMT) or rigid steel conduit.
- F. Polyvinyl Chloride (PVC) Pipe — Nom 2 in. (51 mm) diam (or smaller) Schedule 40 cellular or solid core PVC pipe for use in closed (process or supply) or vented (drain, waste, or vent) piping systems.
- G. Chlorinated Polyvinyl Chloride (CPVC) Pipe — Nom 2 in. (51 mm) diam (or smaller) SDR 13.5 CPVC pipe for use in closed (process or supply) piping systems.
- H. Rigid Nonmetallic Conduit (RNC)+ — Nom 2 in. (51 mm) diam (or smaller) Schedule 40 PVC conduit installed in accordance with Articles 347 and 710 of the National Electrical Code (NFPA No. 70).



**Hilti Firestop Systems**

Reproduced by HILTI, Inc. Courtesy of  
Underwriters Laboratories, Inc.  
April 01, 2024

- I. Cross Linked Polyethylene Tubing — Nom 1 in. (25 mm) diam (or smaller) cross-linked polyethylene tubing for use in closed (process or supply) piping systems.
  - J. Aluminum Pipe — Nom 2 in. (51 mm) diam (or smaller) Schedule 10 (or heavier) aluminum pipe for use in closed (process or supply) or vented (drain, waste or vent) systems.
  - K. Aluminum Conduit — Nom 2 in. (51 mm) diam (or smaller) aluminum electric metallic tubing (EMT) or rigid aluminum conduit.
  - L. Flexible Aluminum Conduit+ — Nom 2 in. (51 mm) diam (or smaller) No. 16 gauge (or heavier) flexible aluminum conduit.  
See Flexible Metal Conduit (DXUZ) category in the Electrical Construction Material Directory for names of manufacturers.
3. Pipe Insulation — One or more metallic penetrants may be insulated with the following types of pipe coverings:
- A. Pipe Covering\* — Min 1 in. (25 mm) to max 2 in. (51 mm) thick hollow cylindrical heavy density min 3.5 pcf (56 kg/m<sup>3</sup>) glass fiber units jacketed on the outside with an all service jacket. Longitudinal joints sealed with metal fasteners or factory-applied self-sealing lap tape. Transverse joints secured with metal fasteners or with butt tape supplied with the product.  
See Pipe and Equipment Covering - Materials (BRGU) category in the Building Materials Directory for names of manufacturers. Any pipe covering material meeting the above specifications and bearing the UL Classification Marking with a Flame Spread Index of 25 or less and a Smoke Developed Index of 50 or less may be used.
  - B. Tube Insulation-Plastics+ — Min 1/2 in. (13 mm) to max 3/4 in. (19 mm) thick acrylonitrile butadiene/polyvinyl chloride (AB/PVC) flexible foam furnished in the form of tubing.  
See Plastics+ (QMFZ2) category in the Plastics Recognized Component Directory for names of manufacturers. Any Recognized Component tube insulation material meeting the above specifications and having a UL 94 Flammability Classification of 94-5VA may be used.
  - C. Pipe Covering Materials\* — Min 1 in. (25 mm) to max 2 in. (51 mm) thick unfaced mineral fiber pipe insulation having a nom density of 3.5 pcf (56 kg/m<sup>3</sup>) or heavier and sized to fit the outside diam of pipe or tube. Pipe insulation secured with min 18 SWG steel wire spaced 12 in. (305 mm) OC.  
INDUSTRIAL INSULATION GROUP L L C — High Temperature Pipe Insulation 1200, High Temperature Pipe Insulation BWT and High Temperature Pipe Insulation Thermaloc
- C1. Sheathing Material — (Not shown) — Optional, used in conjunction with Item 3C. Foil-scrim-kraft or all service jacket material shall be wrapped around the outer circumference of the pipe covering material (Item 3B) with the kraft side exposed. Longitudinal joints sealed with metal fasteners.  
See Sheathing Materials (BVDV) category in the Building Materials Directory for names of manufacturers. Any sheathing material meeting the above specifications and bearing the UL Classification Marking with a Flame Spread value of 25 or less and a Smoke Developed value of 50 or less may be used.  
The annular space between the insulated penetrants and the periphery of the opening shall be min 0 in. (0 mm, point contact) to max 5 in. (127 mm). The separation between the insulated penetrants and the other penetrants shall be a min 1 in. (25 mm) to max 1-1/2 in. (38 mm).
4. Cables — One max 3 in. (76 mm) diam bundle of cables installed within the opening and rigidly supported on both surfaces of wall. The annular space between the tightly bundled cable and the periphery of the opening shall be min 0 in. (0 mm, point contact) to max 5 in. (127 mm). The separation between the cable bundle and the other penetrants shall be min 1 in. (25 mm) to max 1-1/2 in. (38 mm). Any combination of the following types and sizes of cables may be used:
- A. Max 100 pair No. 24 AWG telephone cable with polyvinyl chloride (PVC) insulation and jacket.
  - B. Max 7/C No. 12 AWG copper conductor power and control cable with PVC or cross-linked polyethylene (XLPE) insulation and PVC jacket.
  - C. Multiple fiber optical communication cable jacketed with PVC and having a max outside diam of 1/2 in. (13 mm).
  - D. Max 3/C No. 8 AWG with bare aluminum ground, PVC insulated steel Metal-Clad+ Cable currently Classified under the Through Penetrating Product\* (XHLY) category.
  - E. Max 3/C No. 2/0 AWG (or smaller) copper conductor PVC jacketed aluminum clad or steel clad TECK 90 cable.
  - F. Max 3/C (with ground) No. 12 AWG (or smaller) nonmetallic sheathed (Romex) cable with PVC insulation and jacket materials.
  - G. RG/U coaxial cable with polyethylene (PE) insulation and polyvinyl chloride (PVC) jacket having a max outside diam of 1/2 in. (13 mm).



- 4A. Steel Sleeve — (Optional, Not Shown) Prior to the installation of the cable bundle (Item 4), one of the following sleeves may be installed around the cable bundle Sleeve to extend min 6 in. (152mm) beyond both surfaces of wall.
- A. Max 2 in. (51 mm) Steel conduit sleeve, EMT sleeve, or pipe sleeve (Sch 5 or heavier).
  - B. Max 2 in. (51 mm) Aluminum conduit sleeve, EMT sleeve, or Pipe sleeve (Sch 10 or heavier).
  - C. Max 2 in. (51 mm) Flexible aluminum conduit sleeve (No. 16 Gauge or heavier).
5. Firestop System — The firestop system shall consist of the following:
- A. Packing Material — In 2 hr fire rated wall assemblies, min 3-3/4 in. (95 mm) thickness of min 4 pcf (64 kg/m<sup>3</sup>) mineral wool batt insulation firmly packed into opening as a permanent form. In 1 hr fire rated wall assemblies, min 3-1/2 in. (89 mm) thickness of min 4 pcf (64 kg/m<sup>3</sup>) mineral wool batt insulation firmly packed into opening as a permanent form. Packing material recessed from both surfaces of the wall to accommodate the required thickness of fill material.
  - B. Fill, Void or Cavity Material\* — Sealant — Min 5/8 in. (16 mm) thickness of fill material applied within annulus, flush with both surfaces of wall. At the point contact location between through penetrants and concrete, a min 1/2 in. (13 mm) diam bead of fill material shall be applied at the concrete/aluminum penetrant/sleeve interface on both surfaces of wall. A min 1/4 in. (6 mm) diam bead of fill material shall be applied at the concrete/through penetrant interface (for all other penetrants other than aluminum) on both surfaces of wall.  
HILTI CONSTRUCTION CHEMICALS, DIV OF HILTI INC — FS-ONE Sealant or FS-ONE MAX Intumescent Sealant
6. Fill, Void or Cavity Materials\* —(Not Shown) — For use with sleeve (Item 4A), min. 1 in. (25 mm) thickness of fill material, sealant or putty into interstices of cable bundle within the sleeve (Item 4A) and flush with the end of sleeve on both sides of the wall.  
HILTI CONSTRUCTION CHEMICALS, DIV OF HILTI INC — FS-ONE Sealant or FS-ONE MAX Intumescent Sealant

\* Indicates such products shall bear the UL or cUL Certification Mark for jurisdictions employing the UL or cUL Certification (such as Canada), respectively.

+ Bearing the UL Listing Mark



**Hilti Firestop Systems**

Reproduced by HILTI, Inc. Courtesy of  
Underwriters Laboratories, Inc.  
April 01, 2024