

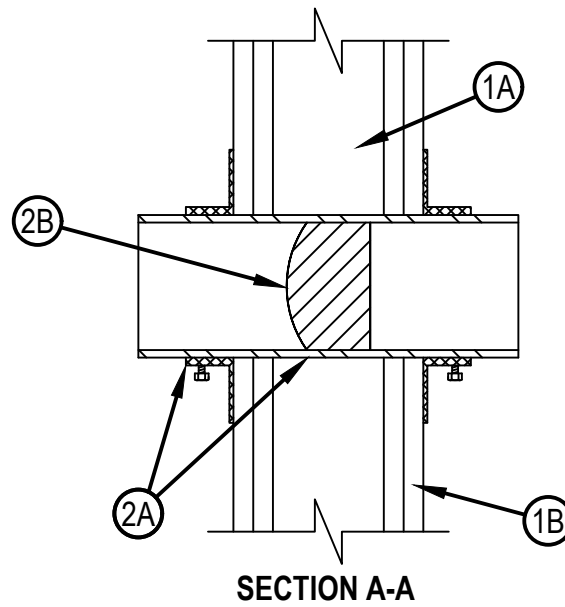
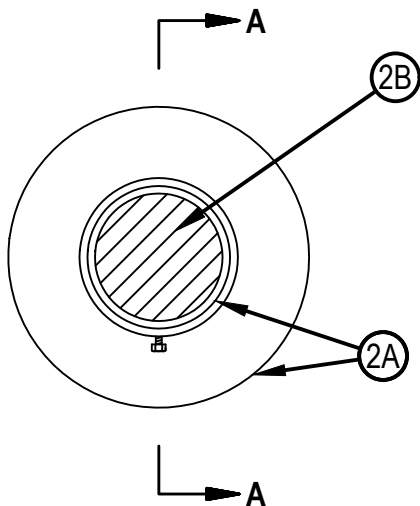


Classified by
Underwriters Laboratories, Inc.
to UL 1479 and CAN/ULC-S115

System No. W-L-0023

WL 0023

ANSI/UL1479 (ASTM E814)	CAN/ULC S115
F Ratings — 1 and 2 Hr (See Item 1)	F Ratings — 1 and 2 Hr (See Item 1)
T Rating — 0 Hr	FT Rating — 0 Hr
L Rating At Ambient — Less Than 1 CFM/sq ft (See Item 2C)	FH Ratings — 1 and 2 Hr (See Item 1)
L Rating At 400 F — Less Than 1 CFM/sq ft (See Item 2C)	FTH Rating — 0 Hr
	L Rating At Ambient — Less Than 1 CFM/sq ft (See Item 2C)
	L Rating At 400 F — Less Than 1 CFM/sq ft (See Item 2C)



1. Wall Assembly — The 1 or 2 hr fire-rated gypsum board/stud wall assembly shall be constructed of the materials and in the manner described in the individual U300, U400, V400 or W400 Series Wall and Partition Designs in the UL Fire Resistance Directory and shall include the following construction features:

- A. Studs — Wall framing shall consist of either wood studs or steel channel studs. Wood studs to consist of nom 2 by 4 in. (51 by 102 mm) lumber spaced max 16 in. (406 mm) OC. Steel studs to be min 3-1/2 in. (89 mm) wide and spaced max 24 in. (610 mm) OC.
- B. Gypsum Board* — 5/8 in. (16 mm) thick, 4 ft (1.22 m) wide with square or tapered edges. The gypsum board type, thickness, number of layers, fastener type and sheet orientation shall be as specified in the individual U300, U400, V400 or W400 Series Designs in the UL Fire Resistance Directory.

The hourly F and FH Ratings of the firestop system are equal to the hourly fire rating of the wall assembly in which it is installed.



Hilti Firestop Systems

Reproduced by HILTI, Inc. Courtesy of
Underwriters Laboratories, Inc.
September 02, 2015

2. Firestop System — The firestop system shall consist of the following:

A. Firestop Device* — Sleeve — Smooth steel sleeve device incorporating flat washers secured by sliding compression couplers. Device shall be installed in accordance with the accompanying installation instructions. Device provided in nom 2 in. and 4 in. (51 and 102 mm) diam sizes. Max diam of opening in wall for nom 2 in. and 4 in. (51 and 102 mm) diam device is 2-7/16 in. and 4-1/2 in. (62 and 114 mm), respectively.

UNIQUE FIRE STOP PRODUCTS INC — Smooth Firestop

A1. Firestop Device* — (Not Shown) — As an alternate to the smooth sleeve device in Item 2A, threaded steel sleeve device incorporating flat washers secured by threaded couplers. Device shall be installed in accordance with the accompanying installation instructions. Device provided in nom 2 in. and 4 in. (51 and 102 mm) diam sizes. Max diam of opening in wall for nom 2 in. and 4 in. (51 and 102 mm) diam devices is 2-7/16 in. and 4-1/2 in. (62 and 114 mm), respectively.

UNIQUE FIRE STOP PRODUCTS INC — Threaded Firestop

A2. Firestop Device* — (Not Shown) — As an alternate to the smooth sleeve and threaded sleeve devices in Items 2 and 2A, threaded steel sleeve halves incorporating split nuts and split washers sized to fit the specific diam of the opening may be used. Device shall be installed in accordance with the accompanying installation instructions. Device provided in nom 2 in. and 4 in. (51 and 102 mm) diam sizes. Max diam of opening in wall for nom 2 in. and 4 in. (51 and 102 mm) diam device is 2-7/16 in. and 4-1/2 in. (62 and 114 mm), respectively.

UNIQUE FIRE STOP PRODUCTS INC — Split Sleeve

B. Fill, Void or Cavity Materials* - Plug — Plug sized for the firestop device in Item 2A or 2A1 friction-fitted within the firestop device and centered within thickness of wall. Plugs sized for the firestop device friction-fitted within the firestop device of Item 2A2 such that the outer circumference of the dome-shaped plug is flush with both ends of the firestop device.

HILTI CONSTRUCTION CHEMICALS, DIV OF HILTI INC — CP 658T Firestop Plug or CFS-PL Firestop Plug

C. Fill, Void or Cavity Material* - Sealant or Putty — (Not Shown) - Fill material required only when L Rating applies. Min 1/4 in. (6 mm) thickness of fill material applied within the annulus, flush with both surfaces of the wall. At the point contact location between the insulated penetrant and the edge of the through opening, a min 1/4 in. (6 mm) diam bead of fill material shall be applied at the device/gypsum board interface on each side of wall or at the coupler or nut/gypsum board interface and at the coupler or nut/sleeve interface.

HILTI CONSTRUCTION CHEMICALS, DIV OF HILTI INC — CP601, CP606, CFS-S SIL GG, FS-ONE Sealant, FS-ONE MAX Intumescent Sealant, or CP 618 Firestop Putty Stick

L Rating applies only when Smooth Sleeve or Threaded Sleeve (Items 2A and 2 A1) and fill material are used.

* Indicates such products shall bear the UL or cUL Certification Mark for jurisdictions employing the UL or cUL Certification (such as Canada), respectively.

