

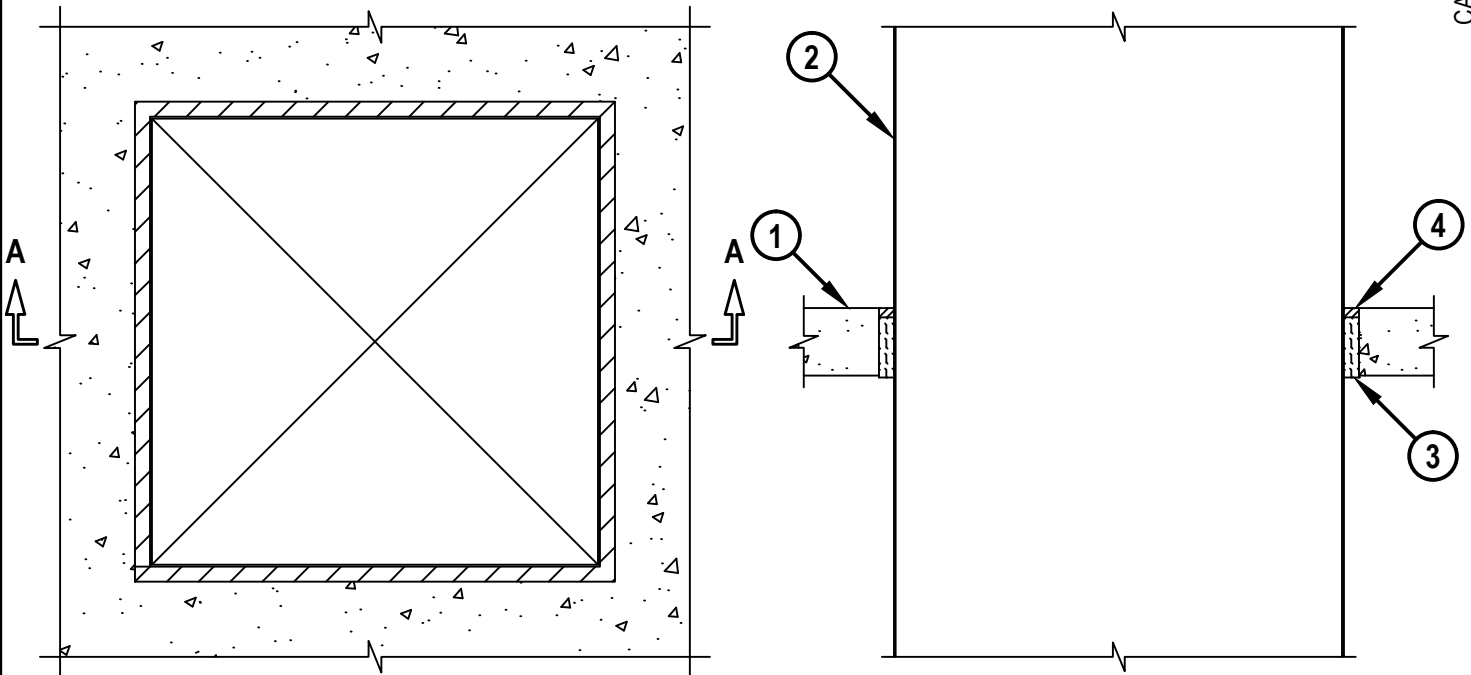
SHEET METAL DUCT THROUGH CONCRETE FLOOR/WALL OR BLOCK WALL ASSEMBLY

F-RATING = 2-HR. OR 3-HR.
T-RATING = 0-HR. OR 1-HR.

CAJ7192d.021218

TOP VIEW

SECTION A-A



1. CONCRETE FLOOR OR WALL ASSEMBLY (2-HR. OR 3-HR. FIRE-RATING) :
 - A. LIGHTWEIGHT OR NORMAL WEIGHT CONCRETE FLOOR (MINIMUM 4-1/2" THICK).
 - B. LIGHTWEIGHT OR NORMAL WEIGHT CONCRETE WALL (MINIMUM 5-1/4" THICK).
 - C. ANY UL/cUL CLASSIFIED CONCRETE BLOCK WALL (MINIMUM 6" THICK).
2. PENETRATING ITEM TO CONSIST OF ONE OF THE FOLLOWING :
 - A. MAXIMUM 30" x 30" RECTANGULAR SHEET METAL DUCT (MIN. 24 GA. FOR 2-HR., MIN. 22 GA. FOR 3-HR.) REINFORCED IN ACCORDANCE WITH SMACNA CONSTRUCTION STANDARDS.
 - B. MAXIMUM 30" x 30" RECTANGULAR SHEET METAL DUCT (MIN. 24 GA. FOR 2-HR., MIN. 22 GA. FOR 3-HR.) REINFORCED IN ACCORDANCE WITH SMACNA CONSTRUCTION STANDARDS WITH BW11 COATING MATERIAL (FLAMEBAR BW11 FIRE RATED DUCTWORK BY FIRESPRAY INTERNATIONAL, LTD.).
3. MINIMUM 4" THICKNESS MINERAL WOOL (MIN. 4 PCF DENSITY) TIGHTLY PACKED AND RECESSED TO ACCOMMODATE SEALANT.
4. MINIMUM 5/8" DEPTH HILTI CP 606 FLEXIBLE FIRESTOP SEALANT, HILTI CFS-S SIL GG FIRESTOP SILICONE SEALANT, OR HILTI CFS-S SIL SL FIRESTOP SILICONE SEALANT (FLOOR ONLY) (SEE NOTE NO. 3 BELOW).

NOTES : 1. MAXIMUM AREA OF OPENING = 1,024 SQ. IN., WITH A MAXIMUM DIMENSION OF 32".
 2. ANNULAR SPACE = MINIMUM 1/2", MAXIMUM 1-1/2".
 3. MINIMUM 5/8" DEPTH HILTI CP 606 FLEXIBLE FIRESTOP SEALANT OR HILTI CFS-S SIL GG FIRESTOP SILICONE SEALANT IS REQUIRED ON BOTH SIDES OF A WALL ASSEMBLY.



HILTI, Inc.
Plano, Texas USA (800) 879-8000

Sheet	1 of 1
Scale	5/64" = 1"
Date	Feb. 02, 2018

Drawing No.

**CAJ
7192d**