



Classified by
Underwriters Laboratories, Inc.
to CAN/ULC-S115

System No. F-B-2062

F Rating — 2 Hr

FT Ratings — 1-1/2 and 2 Hr (See Item 3)

FH Rating — 0 Hr

FTH Rating — 0 Hr

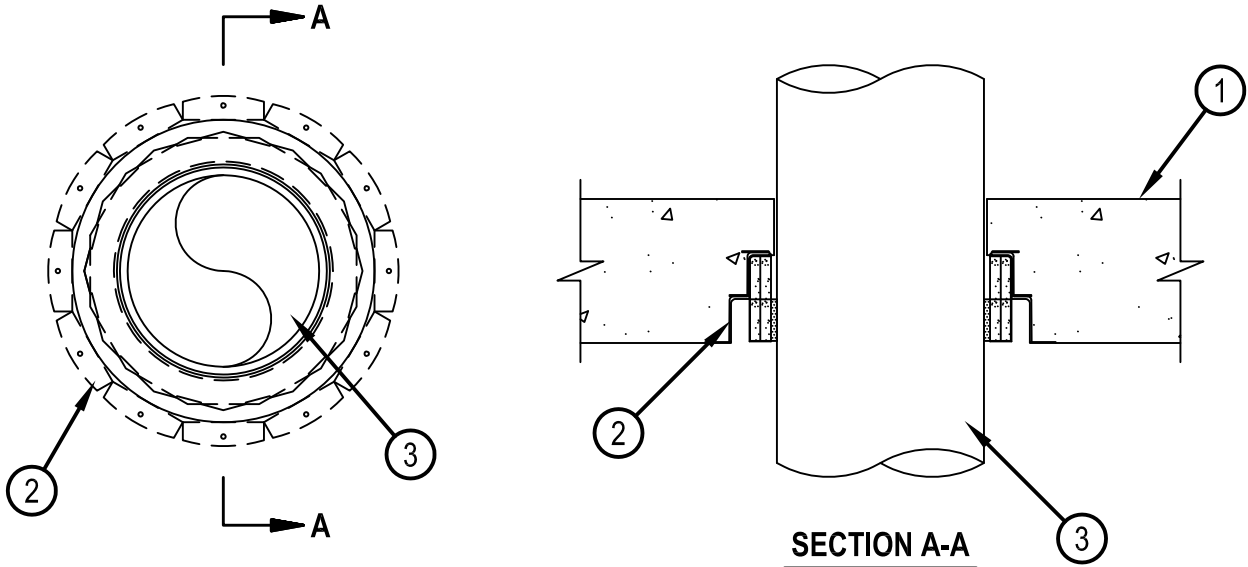
L Rating At Ambient - Less Than 1 L/s per device

L Rating At 400 F - Less Than 1 L/s per device

W Rating - Class 1 (See Items 4 and 5)



FB 2062



System tested with a pressure differential of 50 Pa between the exposed and the unexposed surfaces with the higher pressure on the exposed side.

1. Floor Assembly — Min 6 in. (152 mm) thick reinforced lightweight or normal weight (100-150 pcf or 1600-2400 kg/m³) concrete floor.
2. Firestop Device* — Cast in place firestop device permanently embedded during the concrete pour or grouted into the concrete assembly in accordance with the accompanying installation instructions.

HILTI CONSTRUCTION CHEMICALS, DIV OF HILTI INC — CFS-CID P 8" and 10"

3. Through Penetrants — One nonmetallic pipe to be installed within the firestop system. Nominal diameter of penetrant to be same as device size. Pipe to be rigidly supported on both sides of the floor assembly. The following types and sizes of the nonmetallic pipes may be used:

A. Polyvinyl Chloride XFR (PVC-XFR) Pipe — Nom 8 in. (203 mm) diam or 10 in. (254 mm) diam (or smaller), Schedule 40 PVC-XFR pipe for use in closed (process or supply) or vented (drain, waste or vent) piping system.

The FT Rating of the firestop system is 1-1/2 hr for nom 10 in. (254 mm) diam penetrants and 2 hr for nom 8 in. (203 mm) diam penetrants.

4. Packing Material — (Optional, not shown) — Min 1 in. (25 mm) thickness of min 4 pcf (64 kg/m³) mineral wool batt insulation firmly packed into top of opening as a permanent form. Packing material to be recessed from top surface of floor to accommodate the required thickness of fill material. Packing material shall not extend into the wrap strip layers. Packing material is required for the W Rating.
5. Fill, Void or Cavity Material* - Sealant — (Optional, not shown) — Min 1/2 in. (13 mm) thickness of fill material applied within the annulus, flush with top surface of floor. Sealant is required for the W Rating.

HILTI CONSTRUCTION CHEMICALS, DIV OF HILTI INC — CP 601S, CFS-S SIL GG or CFS-S SIL SL Sealant

* Indicates such products shall bear the UL or cUL Certification Mark for jurisdictions employing the UL or cUL Certification (such as Canada), respectively.



Hilti Firestop Systems

Reproduced by HILTI, Inc. Courtesy of
Underwriters Laboratories, Inc.

July 12, 2017