



Classified by  
Underwriters Laboratories, Inc.  
to UL 1479 and CAN/ULC-S115

## System No. W-L-1289

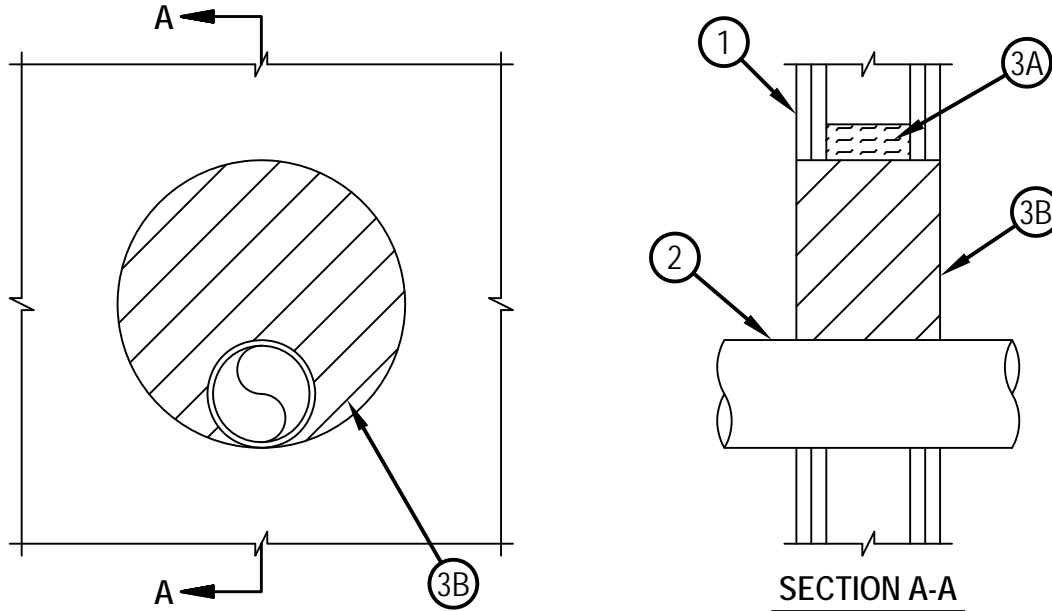
F Ratings -- 1 and 2 Hr (See Items 1 and 3)

T Rating -- 0 Hr

L Rating at Ambient -- Less Than 1 CFM/sq ft

L Rating at 400 F -- Less Than 1 CFM/sq ft

WL 1289



1. Wall Assembly -- The 1 or 2 hr fire-rated gypsum board/stud wall assembly shall be constructed of the materials and in the manner described in the individual U300, U400 or V400 Series Wall and Partition Design in the UL Fire Resistance Directory and shall include the following construction features:

- A. Studs -- Wall framing may consist of either wood studs or steel channel studs. Wood studs to consist of nom 2 by 4 in. (51 by 102 mm) lumber spaced max 16 in. (406 mm) OC. Steel studs to be min 3-1/2 in. (89 mm) deep, fabricated from 25 MSG galv steel, spaced max 24 in. (610 mm) OC.
- B. Gypsum Board\* -- The gypsum board type, number of layers, fastener type and sheet orientation shall be as specified in the individual Wall and Partition Design. Max diam opening is 12 in. (305 mm).

The hourly F Rating of the firestop system is equal to the hourly fire rating of the wall assembly in which it is installed.

2. Through Penetrant -- One metallic pipe, conduit or tube to be installed either concentrically or eccentrically within the firestop system. The min annular space between the pipe, conduit or tube and the periphery of the opening shall be min 0 in. (point contact) to max 7-7/8 in. (200 mm). Pipe conduit or tube to be rigidly supported on both sides of wall assembly. The following types and sizes of metallic pipes, conduits or tubes may be used:

- A. Steel Pipe -- Nom 4 in. (102 mm) diam (or smaller) Schedule 10 (or heavier) steel pipe.
- B. Iron Pipe -- Nom 4 in. (102 mm) diam (or smaller) cast or ductile iron pipe.
- C. Conduit -- Nom 4 in. (102 mm) diam (or smaller) rigid steel conduit.
- D. Conduit -- Nom 4 in. (102 mm) diam (or smaller) steel electrical metallic conduit.
- E. Copper Tubing -- Nom 4 in. (102 mm) diam (or smaller) Type L (or heavier) copper tubing.
- F. Copper Pipe -- Nom 4 in. (102 mm) diam (or smaller) Regular (or heavier) copper pipe.

3. Firestop System -- The firestop system shall consist of the following:

- A. Packing Material -- Glass fiber or mineral wool batt insulation firmly packed within the wall cavity around the opening as a permanent form.
- B. Fill, Void or Cavity Material\*-Foam -- Fill material applied within annulus flush with both surfaces of the wall. Min fill material thickness for 1 hr F Rating is 4-3/4 in. (121 mm). Min fill material thickness for 2 hr F Rating is 6 in. (152 mm).

HILTI CONSTRUCTION CHEMICALS, DIV OF HILTI INC -- CP 620 Fire Foam

\*Bearing the UL Classification Mark



**Hilti Firestop Systems**

Reproduced by HILTI, Inc. Courtesy of  
Underwriters Laboratories, Inc.

April 05, 2005