

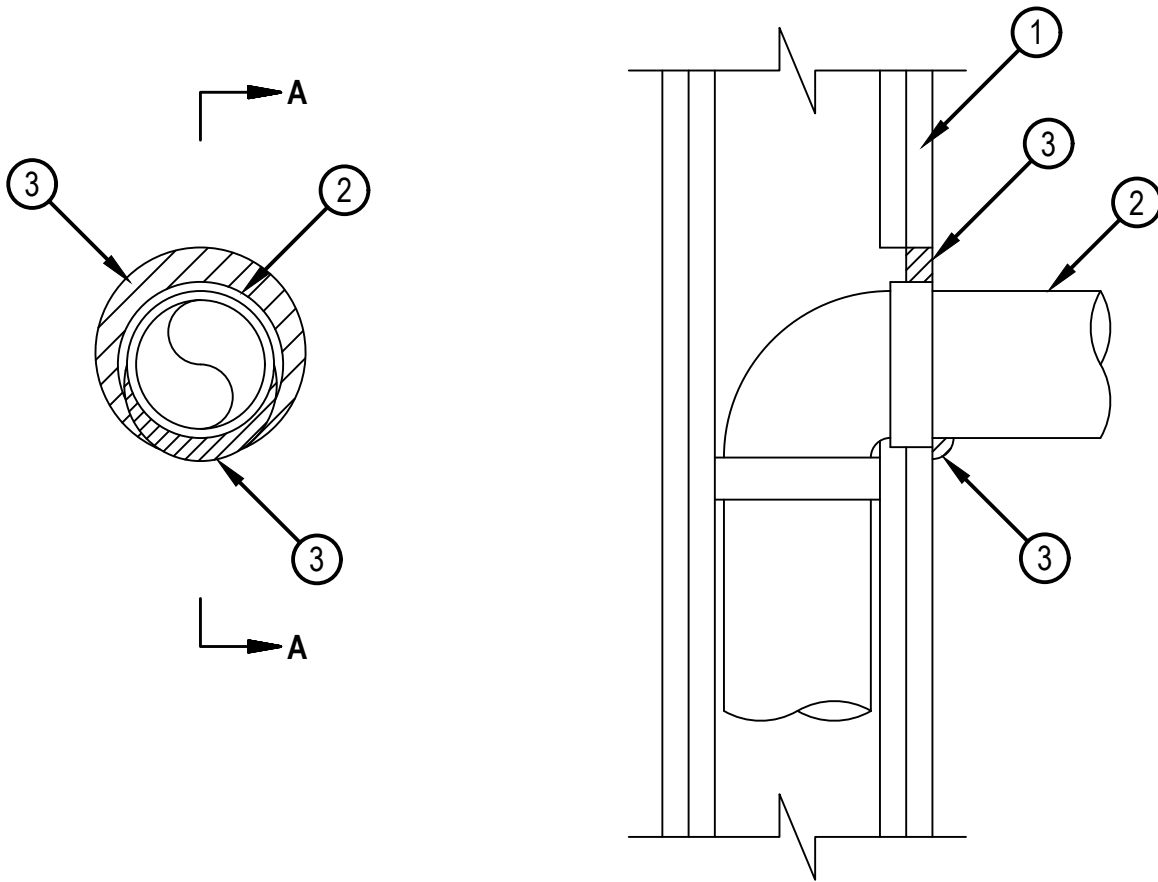


Classified by
Underwriters Laboratories, Inc.
to UL 1479 and CAN/ULC-S115

System No. W-L-1410

WL 1410

ANSI/UL1479 (ASTM E814)	CAN/ULC S115
F Ratings — 1 and 2 Hr (See Item 1)	F Ratings — 1 and 2 Hr (See Item 1)
T Rating — 0 Hr	FT Rating — 0 Hr
L Rating at Ambient — Less Than 1 CFM/sq ft	FH Ratings — 1 and 2 Hr (See Item 1)
L Rating at 400°F — Less Than 1 CFM/sq ft	FTH Rating — 0 Hr
	L Rating at Ambient — Less Than 5.1 L/s/m ²
	L Rating at 204°C — Less Than 5.1 L/s/m ²



SECTION A-A



Reproduced by HILTI, Inc. Courtesy of
Underwriters Laboratories, Inc.
June 7, 2023

System No. W-L-1410

WL 1410

1. Wall Assembly — The 1 or 2 hr fire rated gypsum board/stud wall assembly shall be constructed of the materials and in the manner specified in the individual U300, U400, V400 or W400 Series Wall and Partition Designs in the UL Fire Resistance Directory and shall include the following construction features:
 - A. Studs — Wall framing may consist of either wood studs or steel channel studs. Wood studs to consist of nom 2 by 4 in. (51 by 102 mm) lumber spaced 16 in. (406 mm) OC. Steel studs to be min 3-1/2 in. (89 mm) wide and spaced max 24 in. (610 mm) OC.
 - B. Gypsum Board* — One or two layers of nom 5/8 in. (16 mm) thick gypsum board as specified in the individual Wall and Partition Design. The max diam of opening is dependent upon the type of fill material as shown in Item 3.
The hourly F and FH Ratings of the firestop system are equal to the hourly fire rating of the wall assembly.
2. Through Penetrants — One metallic pipe or conduit to be installed either concentrically or eccentrically within the firestop system. The annular space is dependent upon the type of fill material as shown in Item 3. Pipe or conduit to be rigidly supported on the penetrated side of the wall assembly. The following types and sizes of metallic pipes or conduits may be used:
 - A. Steel pipe — Nom 3 in. (76 mm) diam (or smaller) Schedule 5 (or heavier) steel pipe.
 - B. Conduit — Nom 3 in. (76 mm) diam (or smaller) steel electrical metallic tubing (EMT), nom 3 in. (76 mm) diam steel conduit or nom 1 in. (25 mm) diam (or smaller) flexible steel conduit.
 - C. Copper Tubing — Nom 1 in. (25 mm) diam (or smaller) Type L (or heavier) copper tubing.
 - D. Copper Pipe — Nom 1 in. (25 mm) diam (or smaller) Regular (or heavier) copper pipe.
 - E. Iron Pipe — Nom 3 in. (76 mm) diam (or smaller) cast or ductile iron pipe.
3. Fill, Void or Cavity Material*— Sealant — Min 5/8 in. (16 mm) thickness of fill material applied within the annulus, flush with surface of wall. Min 1/2 in. (13 mm) diam bead of sealant applied at point contact location.

Type of Fill Material	Max Diameter of Opening, in. (mm)	Min Annular Space, in. (mm)	Max Annular Space, in. (mm)
FS-ONE MAX Intumescent Sealant	6 (152)	0 (0), point contact	2 (51)
CFS-S-SIL GG Sealant	5 (127)	0 (0), point contact	1 (25)
CP601S Elastomeric Sealant	5 (127)	0 (0), point contact	1 (25)
CP 606 Sealant	5 (127)	0 (0), point contact	1 (25)
CP618 Putty	5 (127)	0 (0), point contact	1 (25)

HILTI CONSTRUCTION CHEMICALS, DIV OF HILTI INC — FS-ONE MAX Intumescent Sealant, CFS-S-SIL GG Sealant, CP601S Elastomeric Sealant, CP 606 Sealant, or CP618 Putty.

* Indicates such products shall bear the UL or cUL Certification Mark for jurisdictions employing the UL or cUL Certification (such as Canada), respectively.



Hilti Firestop Systems

Reproduced by HILTI, Inc. Courtesy of
Underwriters Laboratories, Inc.
June 7, 2023