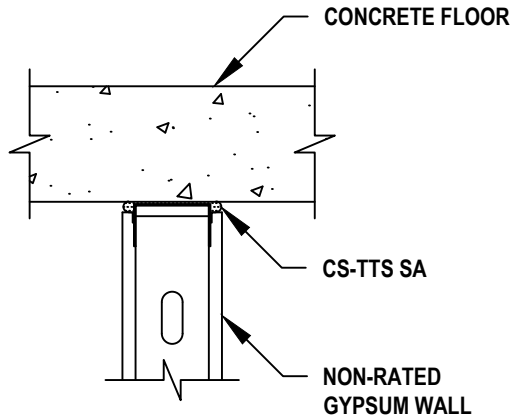


JOINT SYSTEM DETAIL FOR NON FIRE-RATED SMOKE PARTITIONS (EXAMPLES)

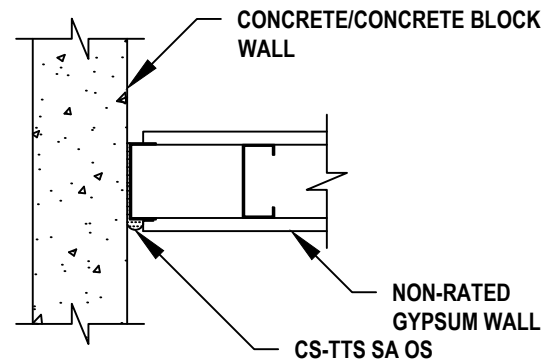
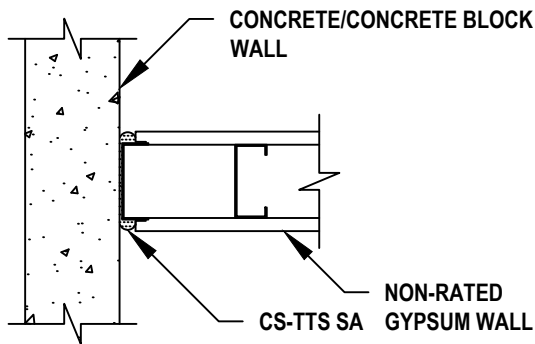
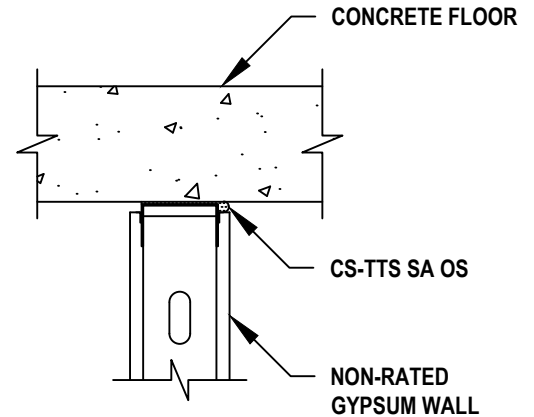
HILTI CS-TTS SA SMOKE AND ACOUSTIC TRACK SEAL TO BE INSTALLED UNDER STEEL RUNNER(S) PRIOR TO ATTACHMENT TO CONCRETE FLOOR OR CONCRETE WALL IN ACCORDANCE WITH THE ACCOMPANYING INSTALLATION INSTRUCTIONS.

J-CS TTS SA-1e.111521

TWO-SIDED APPLICATIONS



ONE-SIDED APPLICATIONS



LIMITATIONS :

- HILTI CS-TTS SA SMOKE AND ACOUSTIC TRACK SEAL MAY BE INSTALLED WHERE IT IS NECESSARY TO RESTRICT SMOKE MIGRATION THROUGH NON FIRE-RATED ASSEMBLIES.
- NOT FOR FIRE-RATED ASSEMBLIES.
- REFER TO PRODUCT LITERATURE FOR COMPLETE DETAILS ON INSTALLATION, SUITABLE APPLICATIONS, AND LIMITATIONS.
- FOR APPLICATIONS THAT DO NOT MEET THE CONDITIONS ABOVE, CONTACT HILTI TECHNICAL SUPPORT.
- THESE DETAILS REPRESENT GENERAL INSTALLATION GUIDELINES TO SATISFY SMOKE PARTITION SEALING REQUIREMENTS OF THE INTERNATIONAL BUILDING CODE (2009, 2012, 2015, 2018, OR 2021). OBTAIN AUTHORITY HAVING JURISDICTION APPROVAL PRIOR TO INSTALLATION.
- MAXIMUM WIDTH OF JOINT = 1-1/8".
- FOR ACOUSTIC (STC) TESTED ASSEMBLIES, TWO-SIDED APPLICATION SHOULD BE INSTALLED.



HILTI, Inc.
Plano, Texas USA (800) 879-8000

Sheet	1 of 3
Scale	7/64" = 1"
Date	Nov. 15, 2021

Drawing No.

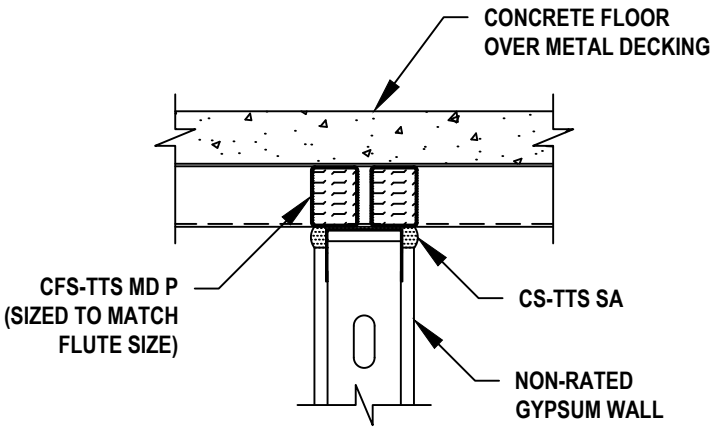
J-CS TTS SA-1e

JOINT SYSTEM DETAIL FOR NON FIRE-RATED SMOKE PARTITIONS (EXAMPLES)

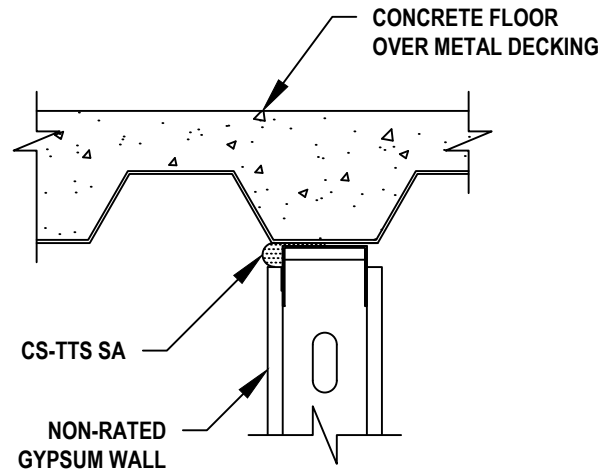
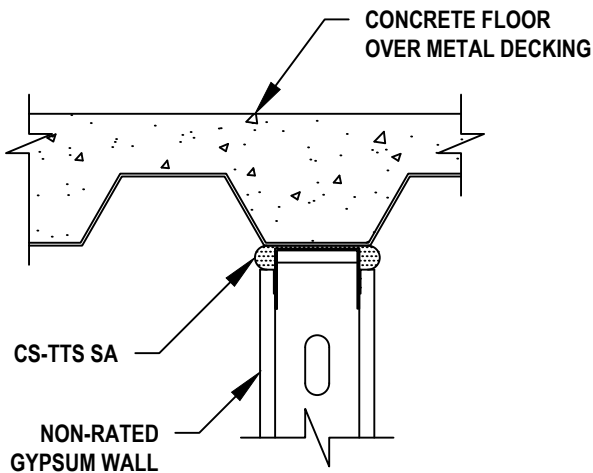
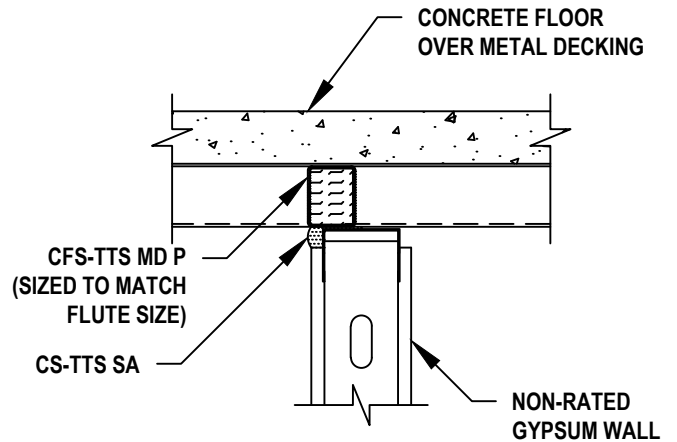
HILTI CS-TTS SA SMOKE AND ACOUSTIC TRACK SEAL TO BE INSTALLED UNDER STEEL RUNNER(S) PRIOR TO ATTACHMENT TO CONCRETE FLOOR OR CONCRETE WALL IN ACCORDANCE WITH THE ACCOMPANYING INSTALLATION INSTRUCTIONS.

J-CS TTS SA-1e.111521

TWO-SIDED APPLICATIONS



ONE-SIDED APPLICATIONS



LIMITATIONS :

- HILTI CS-TTS SA SMOKE AND ACOUSTIC TRACK SEAL MAY BE INSTALLED WHERE IT IS NECESSARY TO RESTRICT SMOKE MIGRATION THROUGH NON FIRE-RATED ASSEMBLIES.
- NOT FOR FIRE-RATED ASSEMBLIES.
- REFER TO PRODUCT LITERATURE FOR COMPLETE DETAILS ON INSTALLATION, SUITABLE APPLICATIONS, AND LIMITATIONS.
- FOR APPLICATIONS THAT DO NOT MEET THE CONDITIONS ABOVE, CONTACT HILTI TECHNICAL SUPPORT.
- THESE DETAILS REPRESENT GENERAL INSTALLATION GUIDELINES TO SATISFY SMOKE PARTITION SEALING REQUIREMENTS OF THE INTERNATIONAL BUILDING CODE (2009, 2012, 2015, 2018, OR 2021). OBTAIN AUTHORITY HAVING JURISDICTION APPROVAL PRIOR TO INSTALLATION.
- MAXIMUM WIDTH OF JOINT = 1-1/8".
- FOR ACOUSTIC (STC) TESTED ASSEMBLIES, TWO-SIDED APPLICATION SHOULD BE INSTALLED.



HILTI, Inc.
Plano, Texas USA (800) 879-8000

Sheet	2 of 3
Scale	7/64" = 1"
Date	Nov. 15, 2021

Drawing No.

J-CS TTS SA-1e

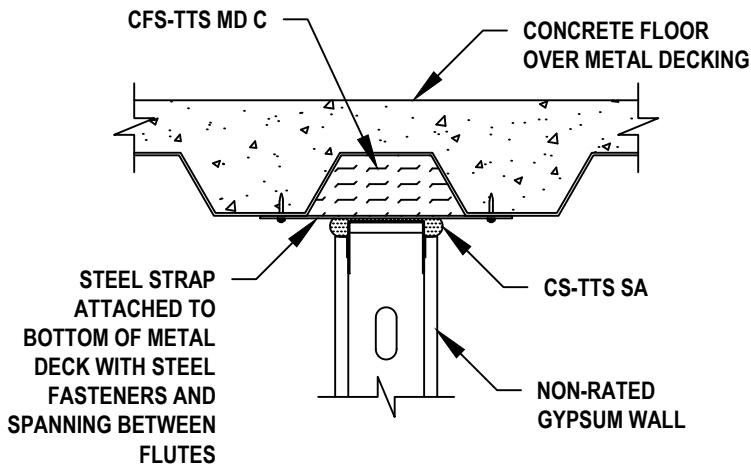
Saving Lives through Innovation and Education

JOINT SYSTEM DETAIL FOR NON FIRE-RATED SMOKE PARTITIONS (EXAMPLES)

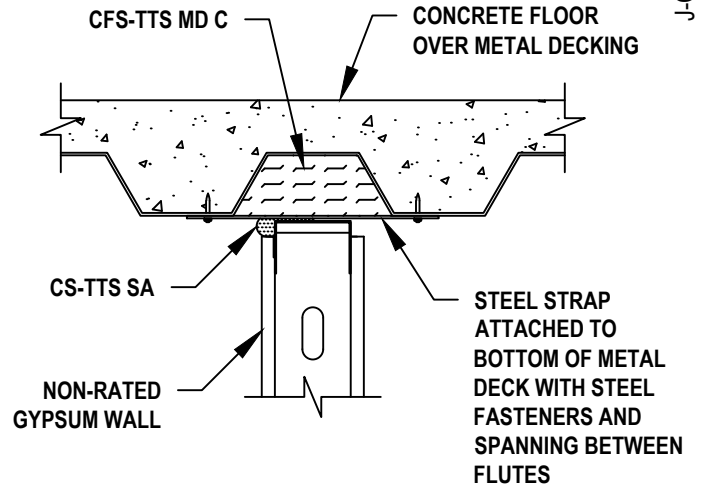
HILTI CS-TTS SA SMOKE AND ACOUSTIC TRACK SEAL TO BE INSTALLED UNDER STEEL RUNNER(S) PRIOR TO ATTACHMENT TO CONCRETE FLOOR OR CONCRETE WALL IN ACCORDANCE WITH THE ACCOMPANYING INSTALLATION INSTRUCTIONS.

J-CS TTS SA-1e.111521

TWO-SIDED APPLICATIONS



ONE-SIDED APPLICATIONS



LIMITATIONS :

- HILTI CS-TTS SA SMOKE AND ACOUSTIC TRACK SEAL MAY BE INSTALLED WHERE IT IS NECESSARY TO RESTRICT SMOKE MIGRATION THROUGH NON FIRE-RATED ASSEMBLIES.
- NOT FOR FIRE-RATED ASSEMBLIES.
- REFER TO PRODUCT LITERATURE FOR COMPLETE DETAILS ON INSTALLATION, SUITABLE APPLICATIONS, AND LIMITATIONS.
- FOR APPLICATIONS THAT DO NOT MEET THE CONDITIONS ABOVE, CONTACT HILTI TECHNICAL SUPPORT.
- THESE DETAILS REPRESENT GENERAL INSTALLATION GUIDELINES TO SATISFY SMOKE PARTITION SEALING REQUIREMENTS OF THE INTERNATIONAL BUILDING CODE (2009, 2012, 2015, 2018, OR 2021). OBTAIN AUTHORITY HAVING JURISDICTION APPROVAL PRIOR TO INSTALLATION.
- MAXIMUM WIDTH OF JOINT = 1-1/8".
- FOR ACOUSTIC (STC) TESTED ASSEMBLIES, TWO-SIDED APPLICATION SHOULD BE INSTALLED.



HILTI, Inc.
Plano, Texas USA (800) 879-8000

Sheet 3 of 3

Scale 7/64" = 1"

Date Nov. 15, 2021

Drawing No.

J-CS TTS SA-1e

Saving Lives through Innovation and Education